

All around (360°) visibility of the sight-feed dome simplifies installation and adjustment

Screw-on bowl reduces maintenance time

Can be disassembled without the use of tools or removal from the air line



Technical data

L17

Fluid:

Compressed air, neutral gases

NOTE: Contact technical support for use with other media.

Maximum pressure:

250 psig (17 bar)

Operating temperature*:

0° to 175°F (-20° to 80°C)

* Air supply must be dry enough to avoid ice formation at temperatures below 35°F (2°C).

Start point (minimum flow required for lubricator operation):

8 scfm (3.8 dm³/s) at 90 psig (6.3 bar) inlet pressure

1" ports: 275 scfm (130 dm³/s)

Nominal reservoir size

Standard: 1 quart US (1 liter)

Manual drain connection on 1 quart reservoir: Will fit 1/8-27 and 1/8-28 pipe thread

Materials

Body: aluminum

Reservoir:

1 quart US (1 liter): aluminum

Reservoir sight glass: Pyrex

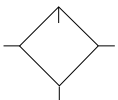
Sight-feed dome

Standard: Transparent nylon

Elastomers: chloroprene and nitrile

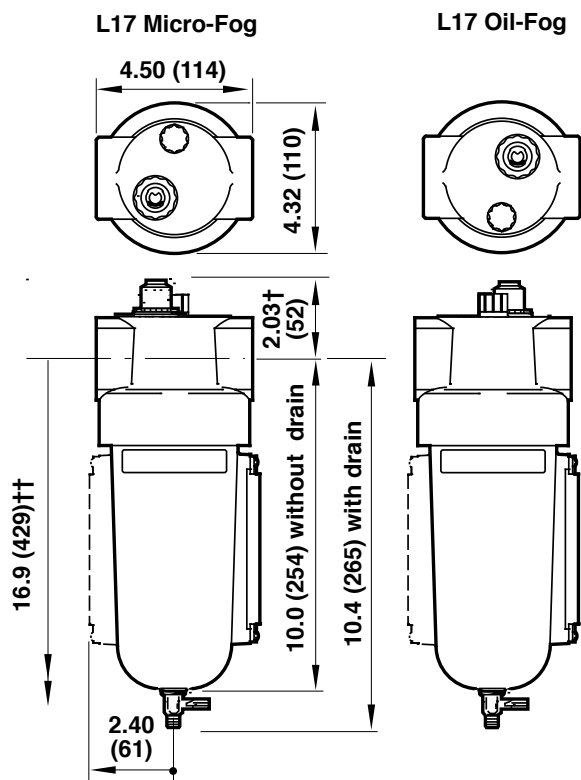
Ordering information

Models listed have PTF threads.

ISO Symbols	Port Size	Micro-Fog Models	Oil-Fog Models**	Flow scfm (dm ³ /s)†	Weight lbs (kg)
 L17 manual drain	3/4"	L17-600-MPDA	L17-600-OPDA	160 (76)	3.73 (1.69)
	1"	L17-800-MPDA	L17-800-OPDA	275 (130)	3.56 (1.62)
	1-1/4"	L17-A00-MPDA	L17-A00-OPDA	275 (130)	4.65 (2.11)
	1-1/2"	L17-B00-MPDA	L17-B00-OPDA	275 (130)	3.67 (1.67)

** Models listed in the order table must not be located downstream of frequently cycling directional control valves. Order the optional bi-directional Oil-Fog Lubricator for use under such conditions.

† Typical flow with 90 psig (6.3 bar) inlet pressure and a pressure drop of 5 psig (0.35 bar).



1 quart US (1 liter) reservoir
1/4 turn drain

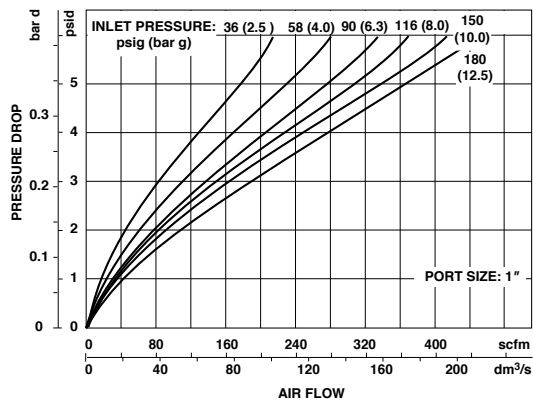
† Standard dome: 2.03"

†† Minimum clearance required to remove bowl.

Sight Dome Replacements

Micro-Red	4055-50
Oil-Green	4055-51

L17



Service Kits

Item	Type	Part Number
Service kit	Oil-Fog and Micro-Fog	5771-02
Reservoir sight glass kit	1 quart US (1 liter)	2273-22
Replacement drain	1/4 Turn	619-50

Service kit 5771-02 includes o-rings, seals and gaskets.

Reservoir sight glass kits, include all o-rings, seals, glass, guard, and sight glass hardware.

Dimensions in inches (mm)