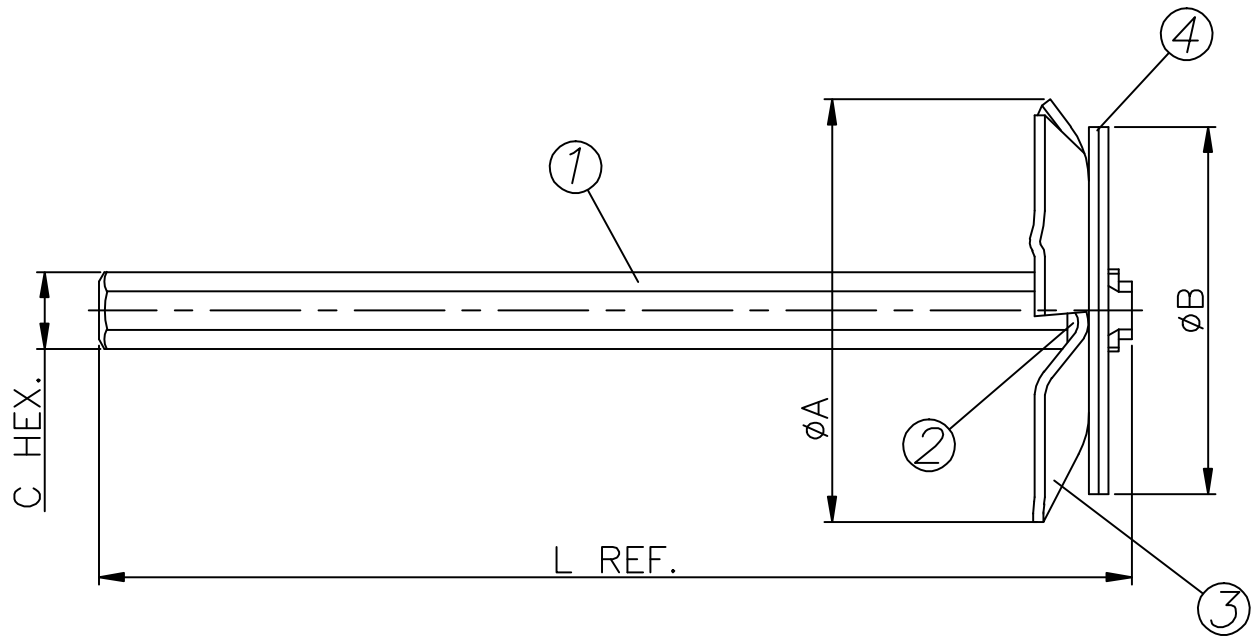


## SOCKET SAVERS

- Removes Schedule 40 plastic pipe from a hub
- Easily remove broken pipe in a hub without costly replacement
- Cuts ABS or PVC DWV pipe below slab
- Fits 1/2" variable speed power drill
- Strong steel construction
- Carded for display



| Part No. | Description         | A     | B     | C     | L      |
|----------|---------------------|-------|-------|-------|--------|
| J44050   | 1/2" Socket Saver   | .84"  | .58"  | 5/16" | 5"     |
| J44075   | 3/4" Socket Saver   | 1.05" | .74"  | 5/16" | 5"     |
| J44100   | 1" Socket Saver     | 1.31" | .97"  | 5/16" | 5"     |
| J44150   | 1-1/2" Socket Saver | 1.90" | 1.58" | 3/8"  | 5-3/4" |
| J44200   | 2" Socket Saver     | 2.37" | 2.04" | 3/8"  | 5-3/4" |
| J44300   | 3" Socket Saver     | 3.50" | 3.00" | 1/2"  | 5-3/4" |
| J44400   | 4" Socket Saver     | 4.50" | 4.00" | 1/2"  | 5-3/4" |