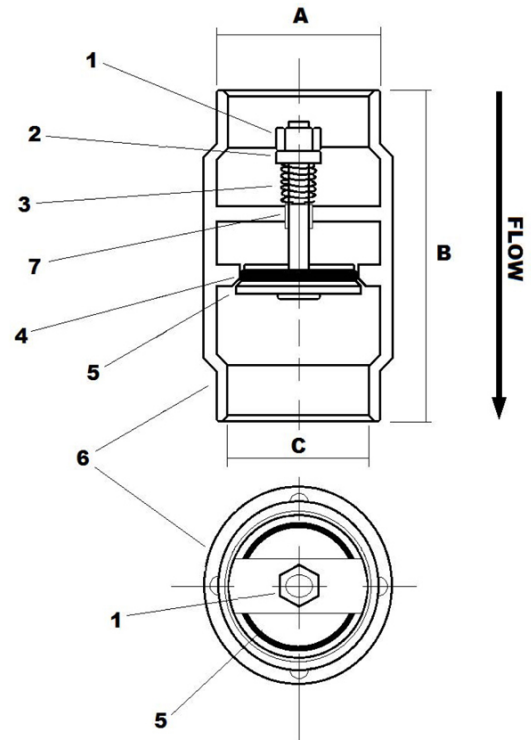


INLINE SPRING CHECK VALVES

Full Floating Clapper Assembly



- Rated @ 200 psi
- Horizontal or Vertical installation
- Brass Construction with an O-Ring Seat and Spring Loaded Clapper



MATERIALS

1	Nut	Stainless Steel
2	Spring Cap	Stainless Steel
3	Spring	Stainless Steel
4	O-Ring	Rubber
5	Clapper	Brass
6	Body	Brass
7	Washer	PTFE

DIMENSIONS

ITEM #	SIZE	A	B
6520140	1" IPS	1-9/16"	1-3/16"
6520145	1-1/4" IPS	2"	1-9/16"
6520150	1-1/2" IPS	2-1/8"	1-3/4"
6520151	2" IPS	2-3/4"	2-3/16"

System No.		Location	
Submitted By		Date	

Spec Section		Paragraph	
Approved		Date	