

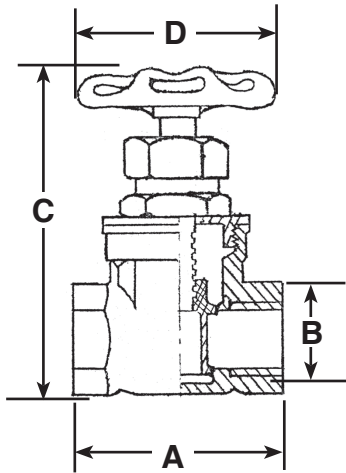
# GATE VALVE - RUBBER SEAT

## Brass



Brass • 200# • 125 wsp • ips

- Full flow, 200 PSI water, oil or gas
- Non-rising stem
- Heavy duty handle
- Solid wedge disc

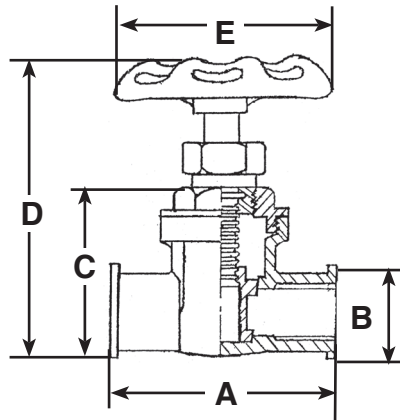


ITEM#	DIMENSIONS				
	SIZE	A	B	C	D
6520502	1/2"	1.57"	0.57"	3.35"	2.00"
6520503	3/4"	1.97"	0.75"	3.74"	2.00"
6520504	1"	2.13"	0.98"	4.13"	2.00"
6520505	1-1/4"	2.24"	1.22"	4.88"	2.00"
6520506	1-1/2"	2.36"	1.46"	5.63"	2.00"
6520507	2"	2.56"	1.77"	6.89"	2.00"
6520508	2-1/2"	3.39"	2.13"	9.29"	2.00"
6520509	3"	2.87"	2.48"	10.75"	2.00"
6520510	4"	3.90"	3.50"	12.40"	2.00"

MATERIALS	
PART	MATERIAL
WHEEL NUT	CARBON STEEL
NAME PLATE	ALUMINUM
HAND WHEEL	CAST IRON
STEM	BRASS
PACKING NUT	BRASS
GLAND	BRASS
GLAND PACKING	PTFE
BONNET	BRASS
LOCK NUT	BRASS
DISC	BRASS
BODY	BRASS

Brass - 200# • 125 WSP • C x C

- Full flow, 200 PSI water, oil or gas
- Full-flow, non-rising stem
- Heavy duty handle
- Solid wedge disc



ITEM #	DIMENSIONS					
	SIZE	A	B	C	D	E
6520512	1/2"	1.81"	0.57"	2.28"	3.15"	2.00"
6520513	3/4"	2.28"	0.75"	2.76"	3.62"	2.00"
6520514	1"	2.72"	0.98"	3.35"	4.17"	2.00"
6520515	1-1/4"	2.87"	1.22"	4.13"	4.92"	2.00"
6520516	1-1/2"	2.87"	1.30"	4.13"	5.16"	2.00"
6520517	2"	3.35"	1.77"	5.00"	6.50"	2.00"

MATERIALS	
PART	MATERIAL
WHEEL NUT	CARBON STEEL
NAME PLATE	ALUMINUM
HAND WHEEL	CAST IRON
STEM	BRASS
PACKING NUT	BRASS
GLAND	BRASS
GLAND PACKING	PTFE
BONNET	BRASS
LOCK NUT	BRASS
DISC	BRASS
BODY	BRASS

System No.		Location		Spec Section		Paragraph	
Submitted By		Date		Approved		Date	