



The No. 1 Solution to Wobbly & Misaligned Tables

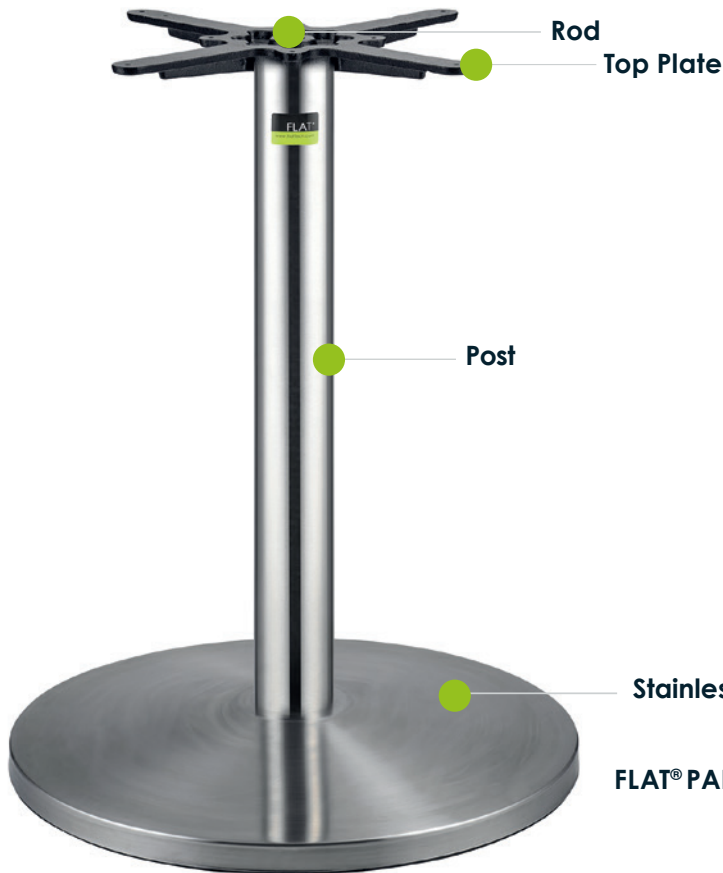
Table Components

FLAT[®]
engineering stability

FLAT[®]
AUTO-ADJUST
Table Bases

www.FlatTech.com

Component Configuration AUTO-ADJUST BR22 Series



FLAT®

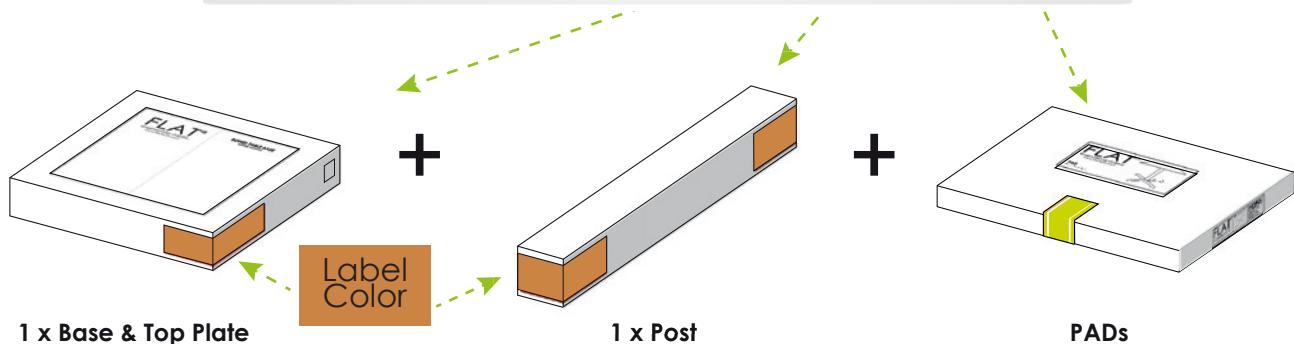
AUTO-ADJUST

Table Bases



Keep Model Components Packaged Until Assembly.
Some Components Are Not Interchangeable Between Models

AUTO-ADJUST BR22 Series				
Model	Product Code	Base & Top Plate	Post & Rod	PAD
Standard Height	CT4005	FBT2090A01	FPR2059A02	FPB5023A05



Component Configuration AUTO-ADJUST BX26 Series



FLAT®

AUTO-ADJUST

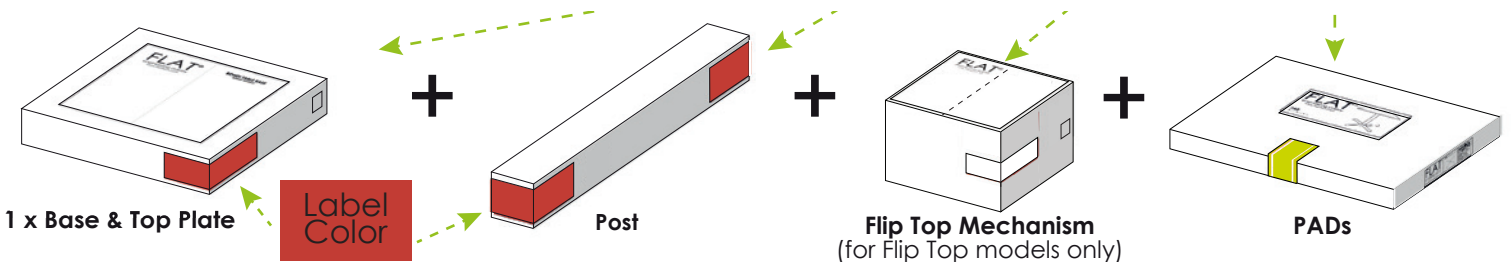
Table Bases



Keep Model Components Packaged Until Assembly.
Some Components Are Not Interchangeable Between Models

AUTO-ADJUST BX26 Series

Model	Product Code	Base & Top Plate	Post & Rod	Flip Top Mechanism	PAD
BX26 Standard Height	CT1002	FBT2039A02	FPR2040A02		FPB5012A05
BX26 Standard Height (Black)	CT1022	FBT2102A01	FPR2103A01		FPB5012A05
BX26 Standard Height (Anthracite)	CT1023	FBT2104A01	FPR2106A01		FPB5012A05
BX26 Standard Height (EP)	CT1024	FBT2109A01	FPR2110A01		FPB5012A05
BX26 Flip Top	CT1004	FBT2062A02	FPR2063A02	FBT2031A01 or FBT2034A01	FPB5012A05
BX26 Flip Top (EP)	CT1005	FBT2063A01	FPR2062A01	FBT2031A01 or FBT2034A01	FPB5012A05
BX26 Bar Height	CT1013	FBT2039A02	FPR2042A02		FPB5012A05
BX26 Bar Height (EP)	CT1026	FBT2109A01	FPR2113A01		FPB5012A05



Component Configuration AUTO-ADJUST CX26 Series



FLAT®

AUTO-ADJUST

Table Bases



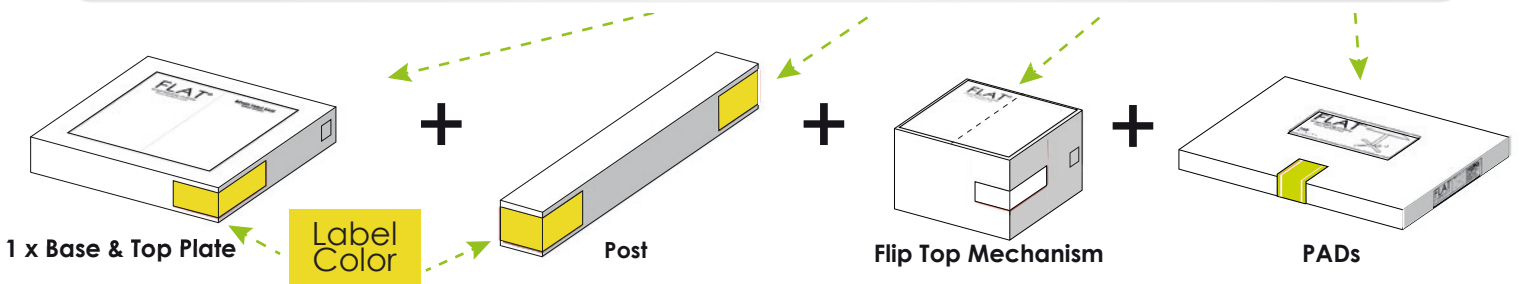
FLAT® PAD technology

Keep Model Components Packaged Until Assembly.

Some Components Are Not Interchangeable Between Models

AUTO-ADJUST CX26 Series

Model	Product Code	Base & Top Plate	Post & Rod	Flip Top Mechanism	PAD
CX26 Standard Height	CT1104	FBT2042A02	FPR2043A01		FPB5013A05
CX26 Standard Height (EP)	CT1109	FBT2111A01	FPR2112A01		FPB5013A05
CX26 Flip Top	CT1108	FBT2064A02	FPR2065A02	FBT2031A01 or FBT2034A01	FPB5013A05
CX26 Flip Top (EP)	CT1107	FBT2065A01	FPR2061A01	FBT2031A01 or FBT2034A01	FPB5013A05



Component Configuration AUTO-ADJUST DS22 Series



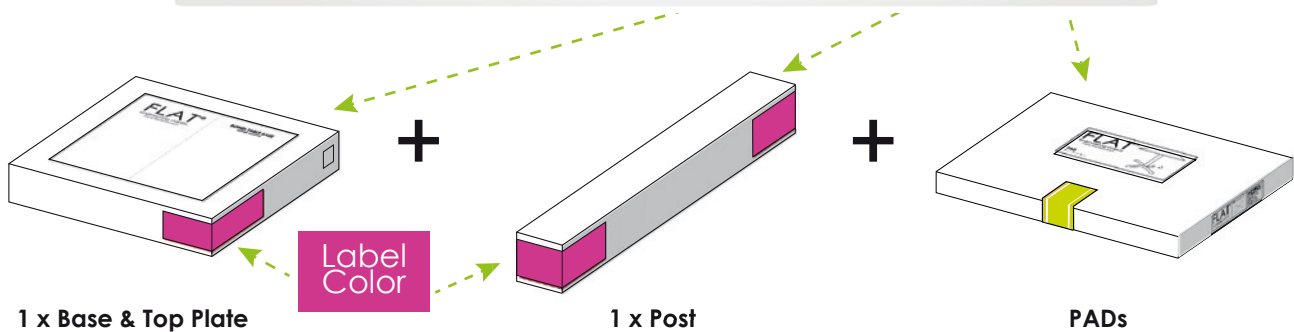
FLAT®

AUTO-ADJUST

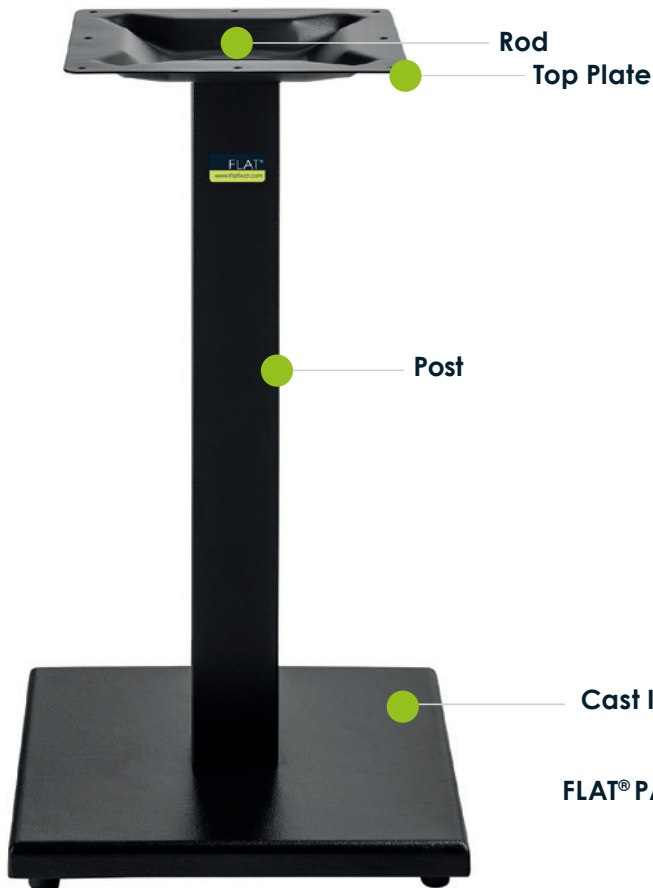
Table Bases

Keep Model Components Packaged Until Assembly.
Some Components Are Not Interchangeable Between Models

AUTO-ADJUST DS22 Series				
Model	Product Code	Base & Top Plate	Post & Rod	PAD
Standard Height	CT4101	FBT2157A01	FPR2157A01	FPB5033A05



Component Configuration AUTO-ADJUST GS22 Series



FLAT[®]

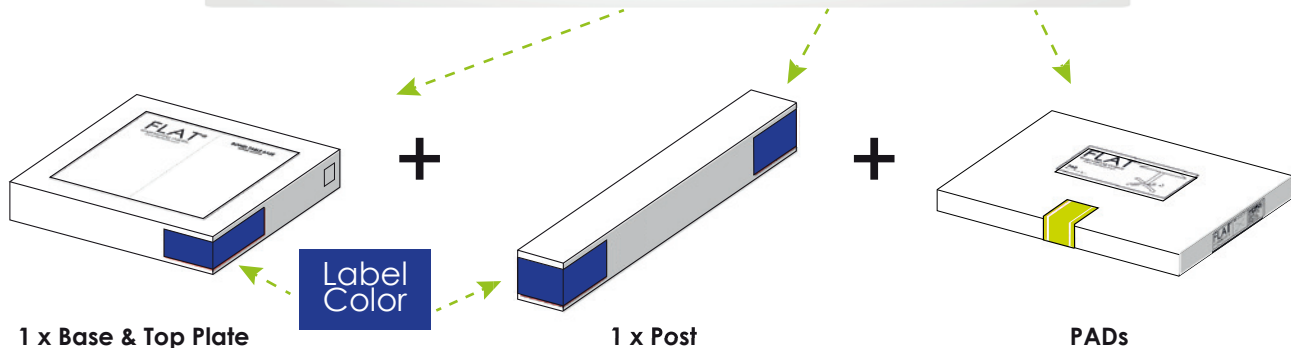
AUTO-ADJUST

Table Bases

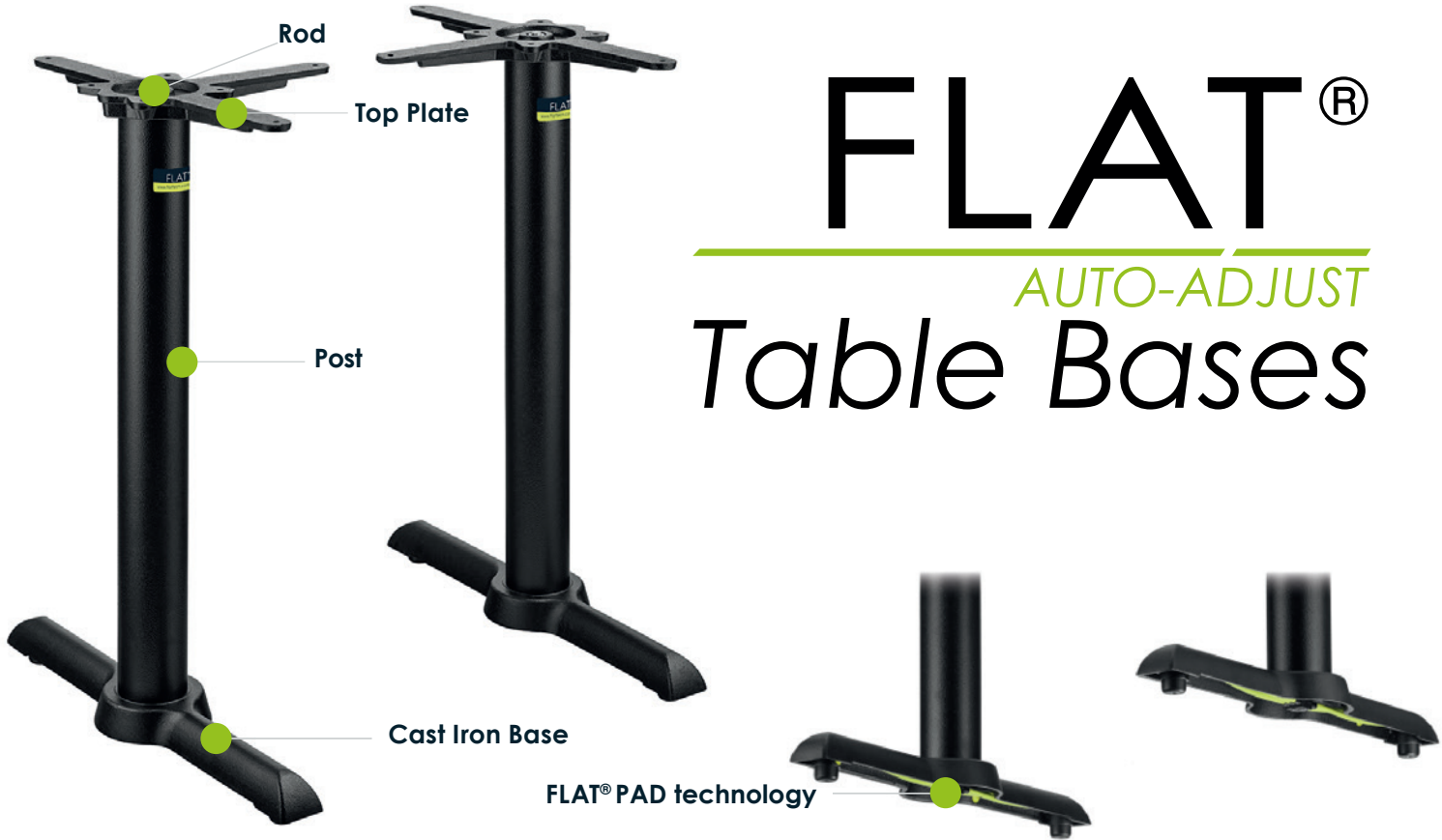


Keep Model Components Packaged Until Assembly.
Some Components Are Not Interchangeable Between Models

AUTO-ADJUST GS22 Series				
Model	Product Code	Base & Top Plate	Post & Rod	PAD
Standard Height	CT4110	FBT2115A01	FPR2116A01	FPB5033A05



Component Configuration AUTO-ADJUST KT22 Series



FLAT®

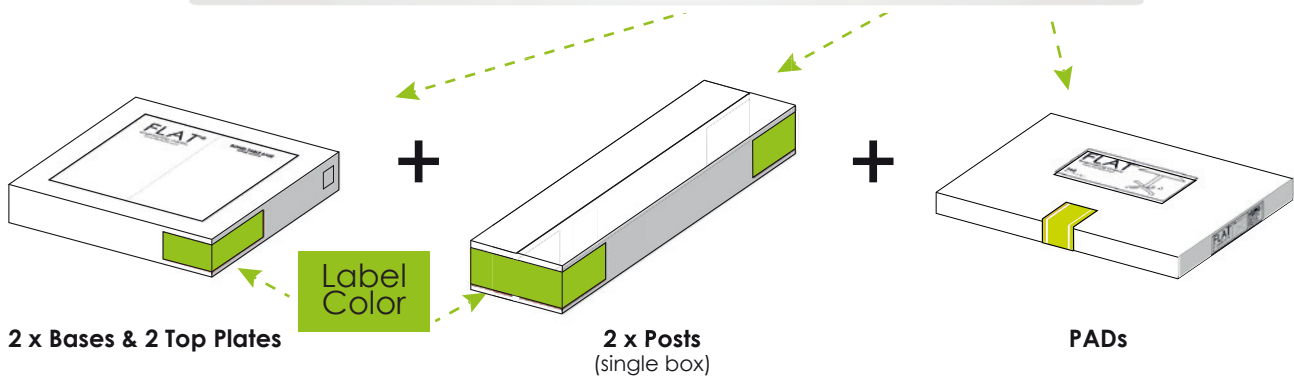
AUTO-ADJUST

Table Bases

Keep Model Components Packaged Until Assembly.

Some Components Are Not Interchangeable Between Models

AUTO-ADJUST KT22 Series				
Model	Product Code	Base & Top Plate	Post & Rod	PADs
Standard Height	CT2030	FBT2068A01	FPR2066A01	FPB5031A05
Bar Height	CT2031	FBT2068A01	FPR2068A01	FPB5031A05



Component Configuration AUTO-ADJUST KX22 Series



FLAT®

AUTO-ADJUST

Table Bases

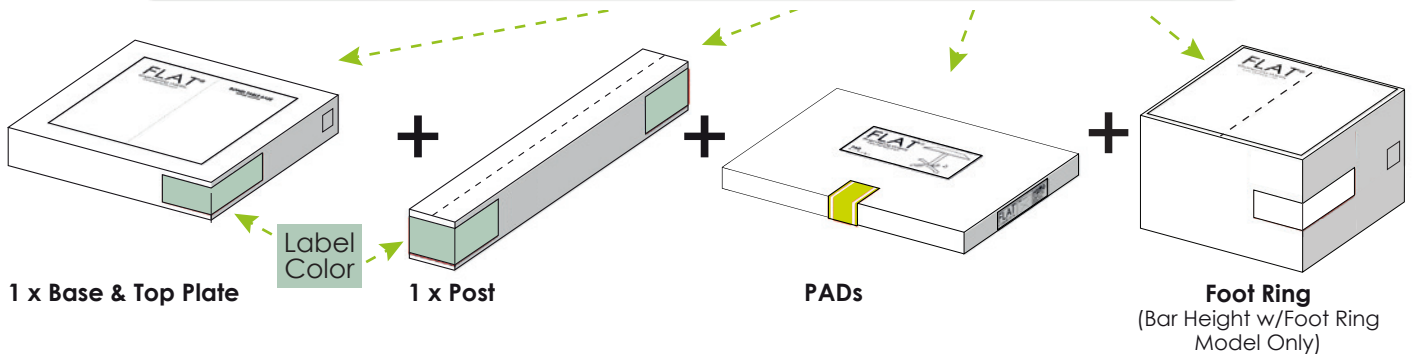


FLAT® PAD technology

Keep Model Components Packaged Until Assembly.

Some Components Are Not Interchangeable Between Models

AUTO-ADJUST KX22 Series					
Model	Product Code	Base & Top Plate	Post & Rod	PAD	Foot Ring
Standard Height	CT2007	FBT2046A02	FPR2050A02	FPB5014A05	
Bar Height	CT2017	FBT2046A02	FPR2052A01	FPB5014A05	
Bar Height with Foot Ring	CT2019	FBT2046A02	FPR2049A01	FPB5014A05	FPR2060A02

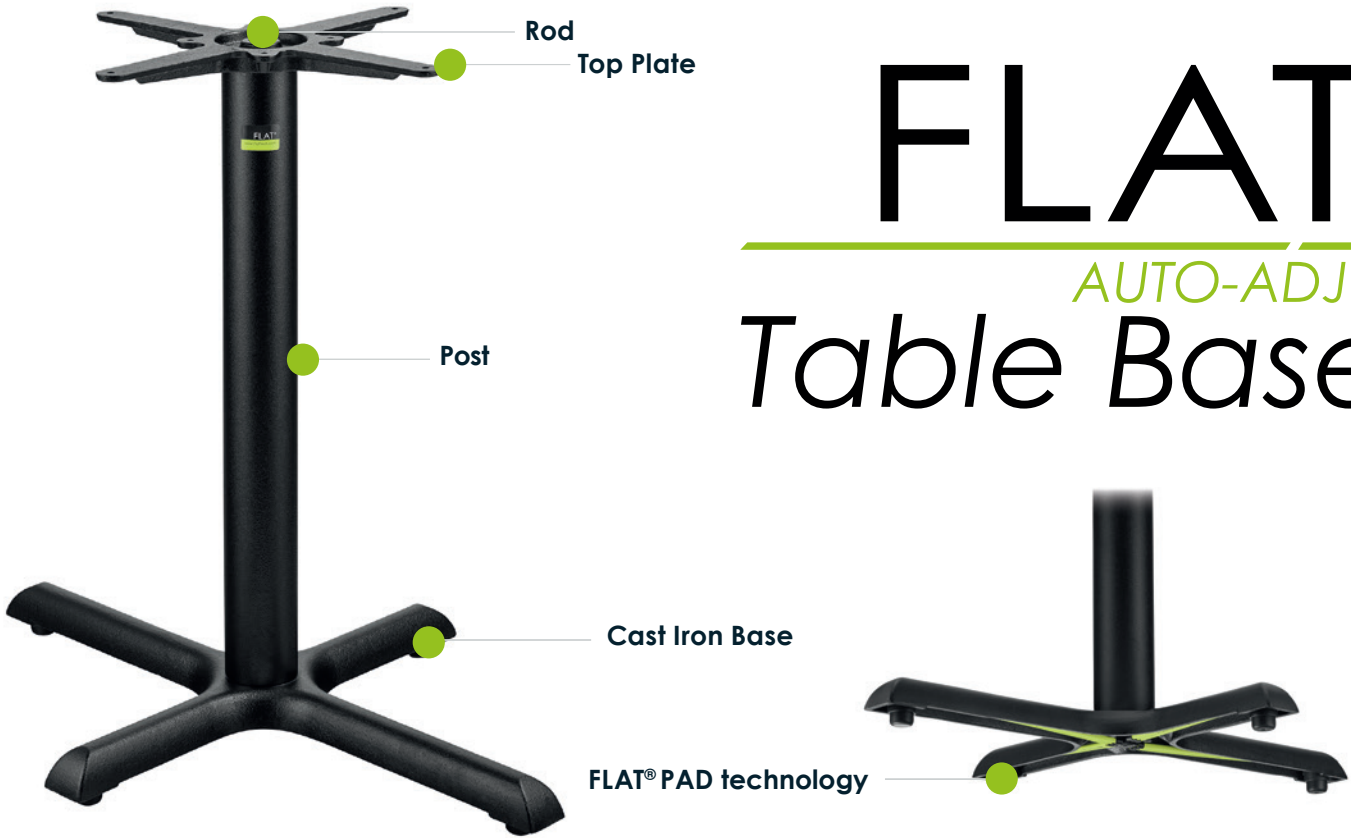


Component Configuration AUTO-ADJUST KX2230 Series

FLAT®

AUTO-ADJUST

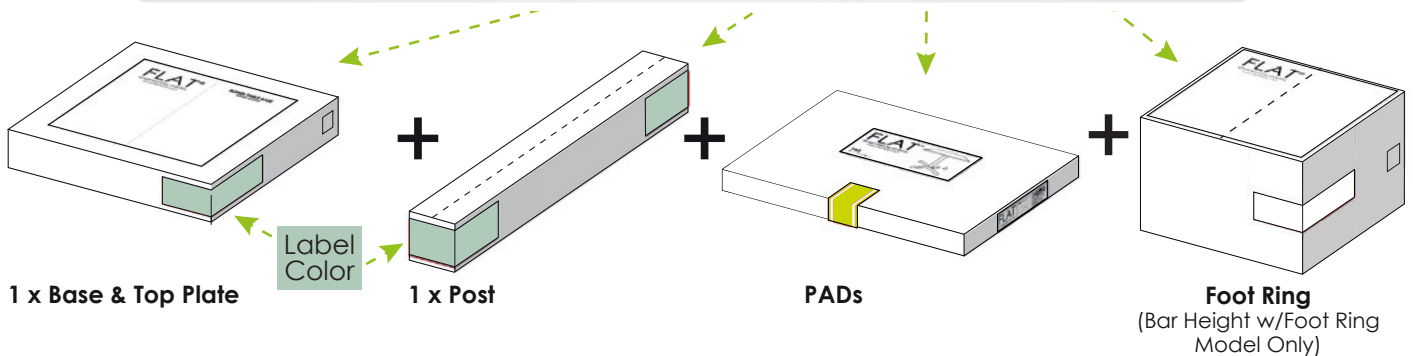
Table Bases



Keep Model Components Packaged Until Assembly.

Some Components Are Not Interchangeable Between Models

AUTO-ADJUST KX2230 Series					
Model	Product Code	Base & Top Plate	Post & Rod	PAD	Foot Ring
Standard Height	CT2020	FBT2082A01	FPR2050A02	FPB5022A05	
Bar Height	CT2022	FBT2082A01	FPR2052A01	FPB5022A05	
Bar Height with Foot Ring	CT2056	FBT2082A01	FPR2049A01	FPB5022A05	FPR2060A02



Component Configuration AUTO-ADJUST KX30 Series



FLAT®

AUTO-ADJUST

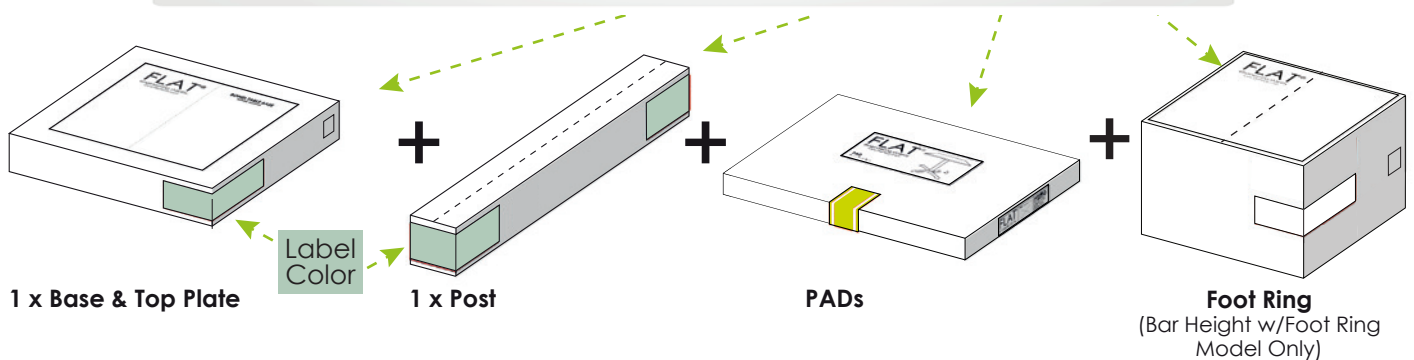
Table Bases



Keep Model Components Packaged Until Assembly.

Some Components Are Not Interchangeable Between Models

AUTO-ADJUST KX30 Series					
Model	Product Code	Base & Top Plate	Post & Rod	PAD	Foot Ring
Standard Height	CT2006	FBT2049A02	FPR2050A02	FPB5015A05	
Bar Height	CT2016	FBT2049A02	FPR2052A01	FPB5015A05	
Bar Height with Foot Ring	CT2018	FBT2049A02	FPR2049A01	FPB5015A05	FPR2060A02

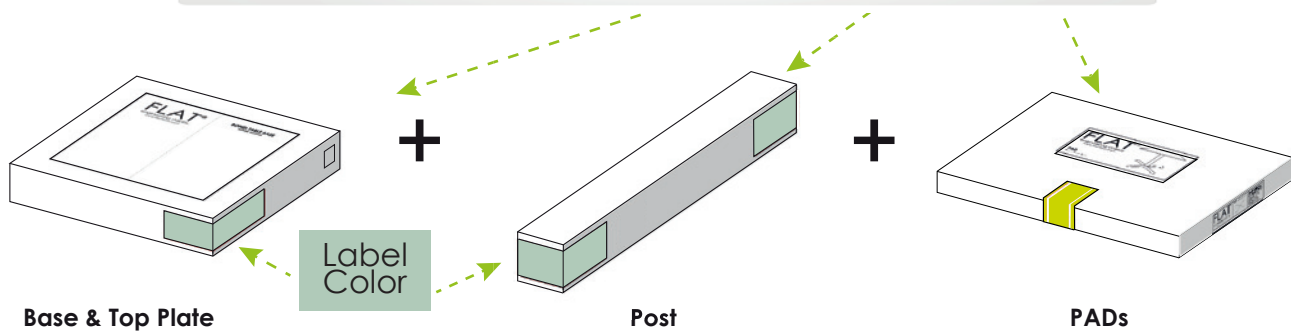


Component Configuration AUTO-ADJUST KX36 Series

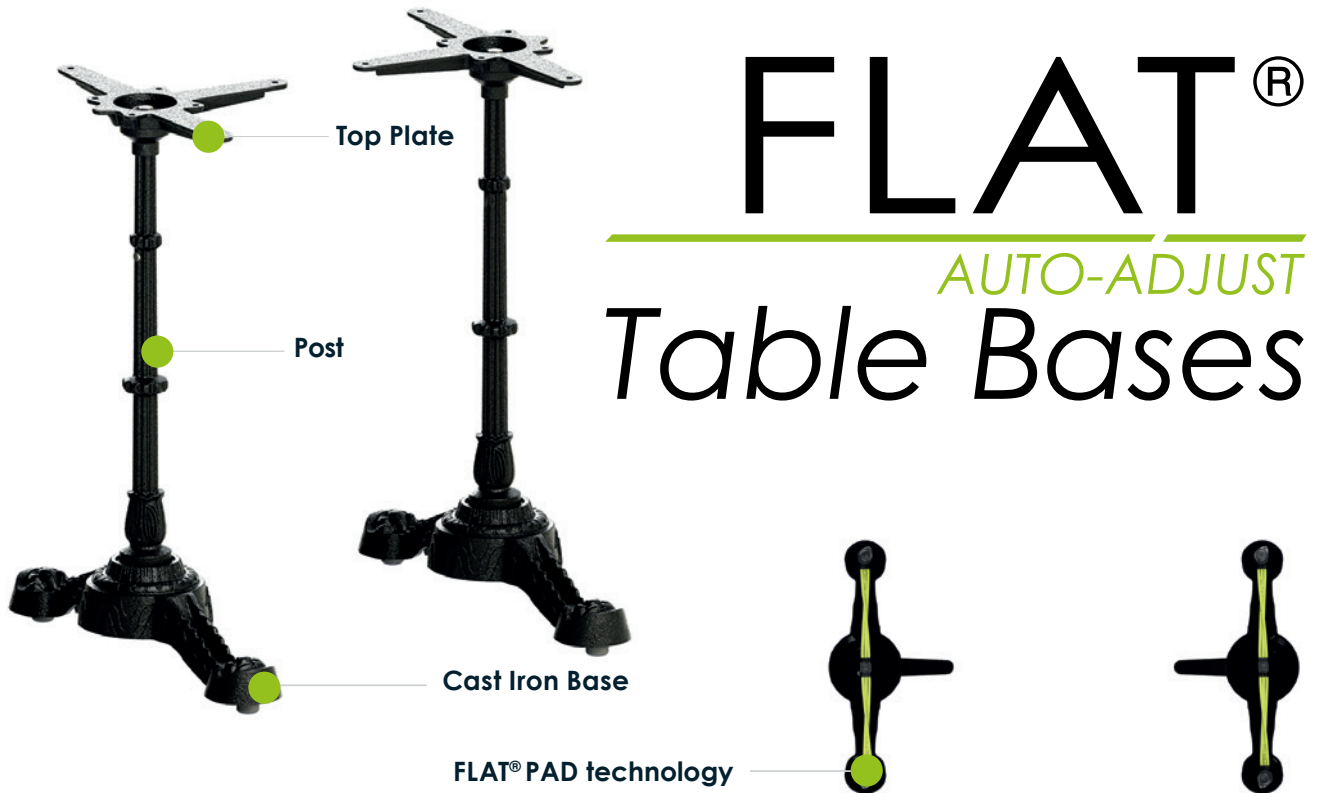


Keep Model Components Packaged Until Assembly.
Some Components Are Not Interchangeable Between Models

AUTO-ADJUST KX36 Series				
Model	Product Code	Base & Top Plate	Post & Rod	PAD
Standard Height	CT2021	FBT2080A01	FPR2090A01	FPB5021A05
Bar Height	CT2036	FBT2080A01	FPR2117A01	FPB5021A05



Component Configuration AUTO-ADJUST PT23 Series



FLAT®

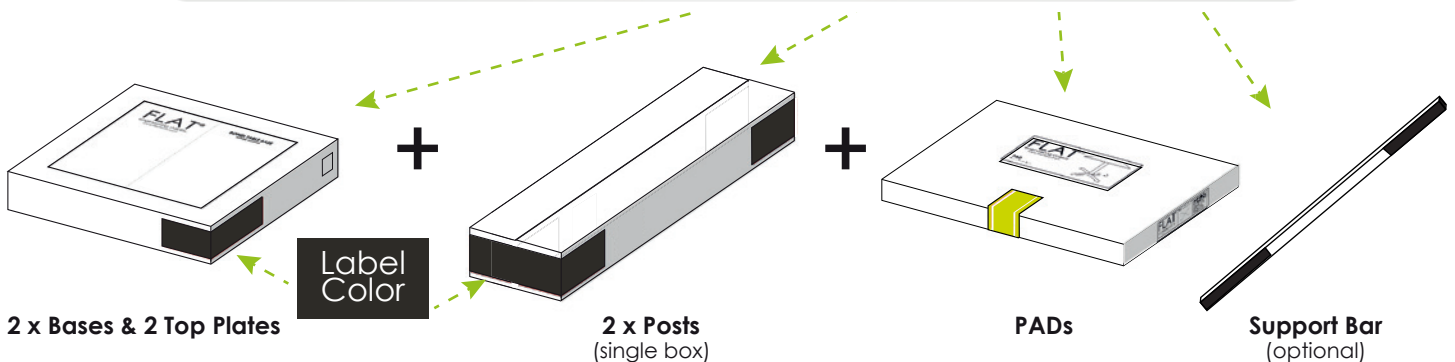
AUTO-ADJUST

Table Bases

Keep Model Components Packaged Until Assembly.

Some Components Are Not Interchangeable Between Models

AUTO-ADJUST PT23 Series					
Model	Product Code	Base & Top Plate	Post & Rod	PAD	Support Bar (optional)
Standard Height	CT4205	FBT2158A01	FPR2161A01	FPB5036A05	FTL2557A01
Bar Height	CT4206	FBT2158A01	FPR2162A01	FPB5036A05	FTL2557A01

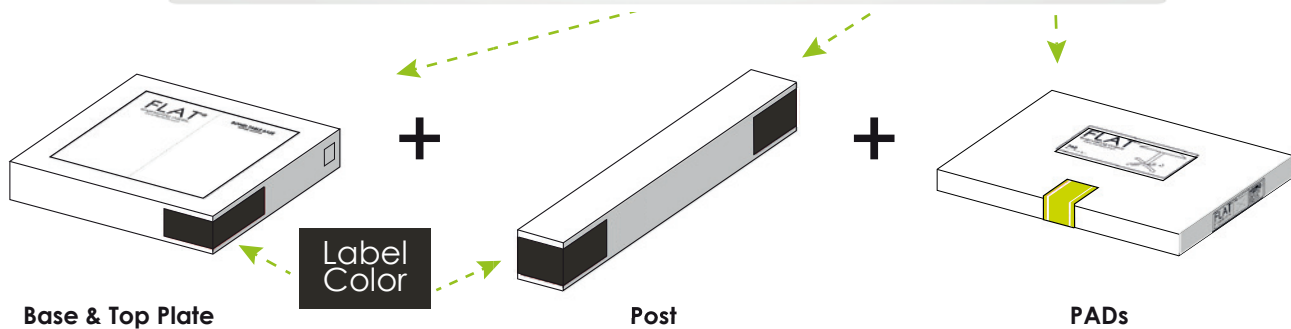


Component Configuration AUTO-ADJUST PX23 Series

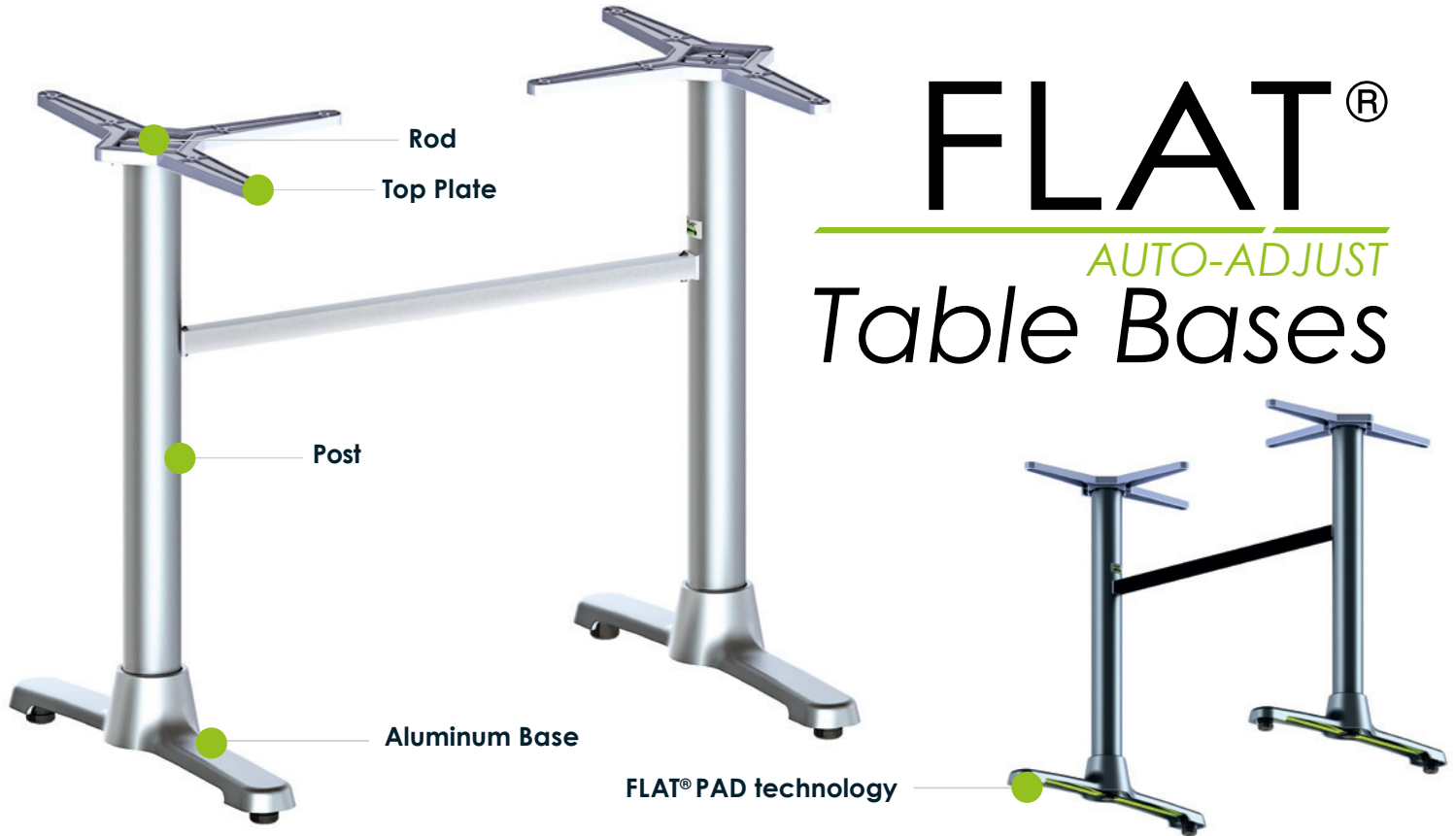


Keep Model Components Packaged Until Assembly.
Some Components Are Not Interchangeable Between Models

AUTO-ADJUST PX23 Series				
Model	Product Code	Base & Top Plate	Post & Rod	PAD
Standard Height	CT4200	FBT2093A01	FPR2094A01	FPB5030A05
Bar Height	CT4201	FBT2093A01	FPR2093A01	FPB5030A05



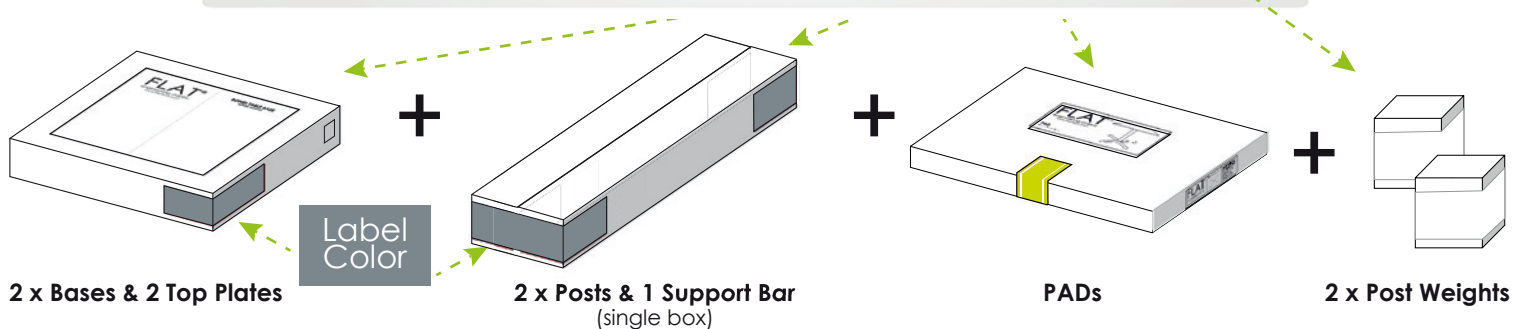
Component Configuration AUTO-ADJUST ST22 Series



Keep Model Components Packaged Until Assembly.

Some Components Are Not Interchangeable Between Models

AUTO-ADJUST ST22 Series					
Model	Product Code	Base & Top Plate	Post & Rod	PADs	Post Weights
ST22 (Polished Aluminum)	CT4310	FBT2159A01	FPR2163A01	FPB5037A05	FTL2552A01
ST22 (Black)	CT4311	FBT2160A01	FPR2164A01	FPB5037A05	FTL2552A01
ST22 (EP)	CT4312	FBT2161A01	FPR2165A01	FPB5037A05	FTL2552A01



Component Configuration AUTO-ADJUST ST22 Flip Top Series

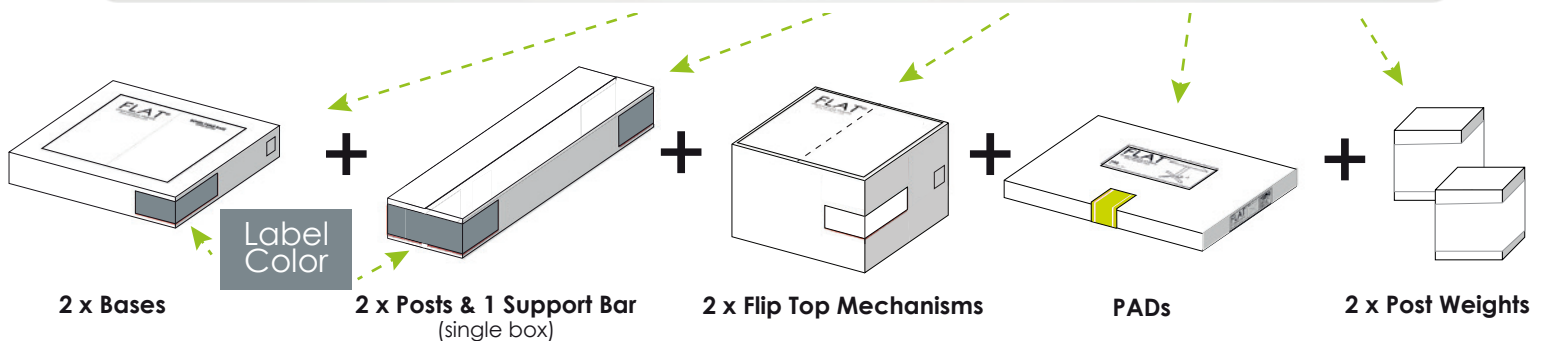


Keep Model Components Packaged Until Assembly.

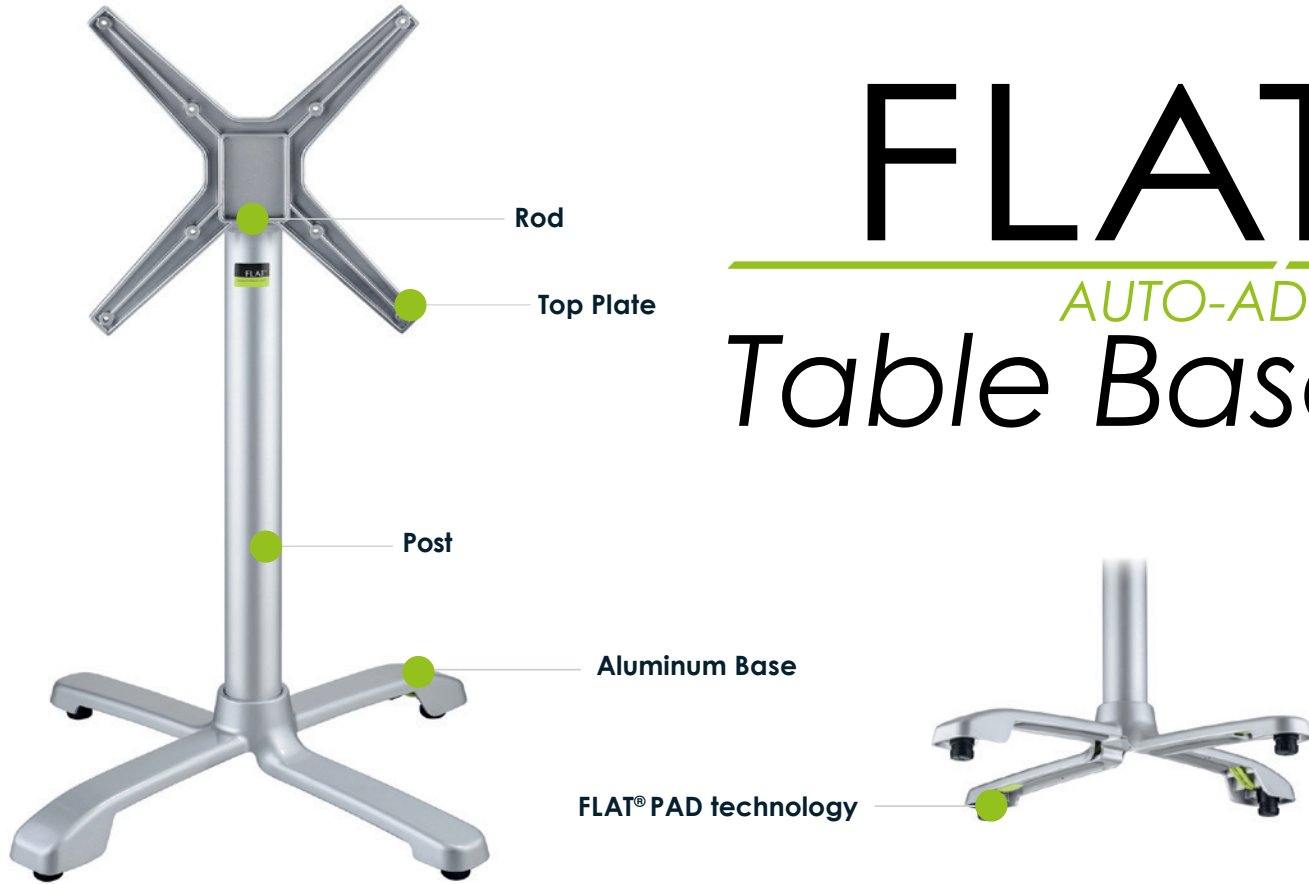
Some Components Are Not Interchangeable Between Models

AUTO-ADJUST ST22 Flip Top Series

Model	Product Code	Bases	Posts & Rods	Flip Top Mechanisms	PADs	Post Weights
ST22 Flip Top (Polished Aluminum)	CT4313	FBT2162A01	FPR2166A01	FBT2035A01	FPB5037A05	FTL2552A01
ST22 Flip Top (Black)	CT4314	FBT2163A01	FPR2167A01	FBT2035A01	FPB5037A05	FTL2552A01
ST22 Flip Top (EP)	CT4315	FBT2164A01	FPR2168A01	FBT2035A01	FPB5037A05	FTL2552A01



Component Configuration AUTO-ADJUST SX26 Series



FLAT®

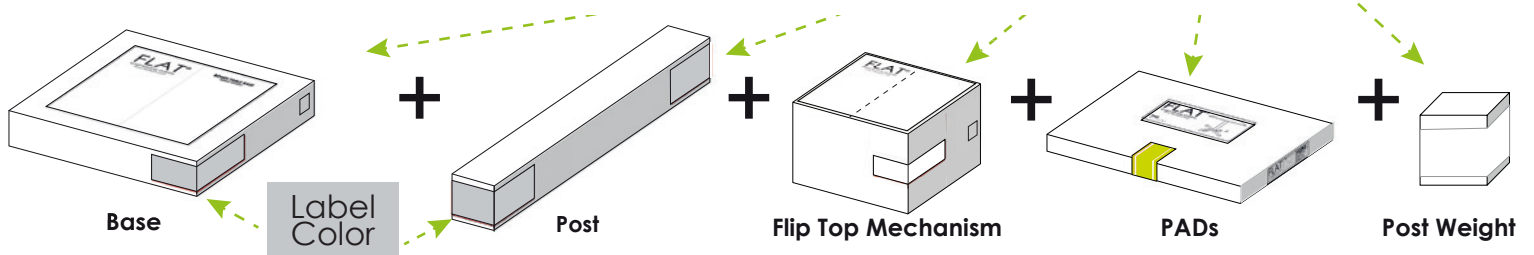
AUTO-ADJUST

Table Bases

Keep Model Components Packaged Until Assembly.

Some Components Are Not Interchangeable Between Models

AUTO-ADJUST SX26 Series						
Model	Product Code	Bases	Post & Rod	Flip Top Mechanism	PAD	Post Weight
SX26 (Polished Aluminum)	CT4300	FBT2066A01	FPR2067A01	FBT2034A01	FPB5032A05	FTL2552A01
SX26 (EP Powder Coat)	CT4301	FBT2099A01	FPR2099A01	FBT2034A01	FPB5032A05	FTL2552A01
SX26 (Black Powder Coat)	CT4302	FBT2060A01	FPR2100A01	FBT2034A01	FPB5032A05	FTL2552A01
SX26 (Polished Aluminum) Bar Height	CT4303	FBT2066A01	FPR2158A01	FBT2037A01	FPB5032A05	FTL2552A01
SX26 (EP Powder Coat) Bar Height	CT4304	FBT2099A01	FPR2159A01	FBT2037A01	FPB5032A05	FTL2552A01
SX26 (Black Powder Coat) Bar Height	CT4305	FBT2060A01	FPR2160A01	FBT2037A01	FPB5032A05	FTL2552A01



Component Configuration AUTO-ADJUST UR17 Series



FLAT®

AUTO-ADJUST

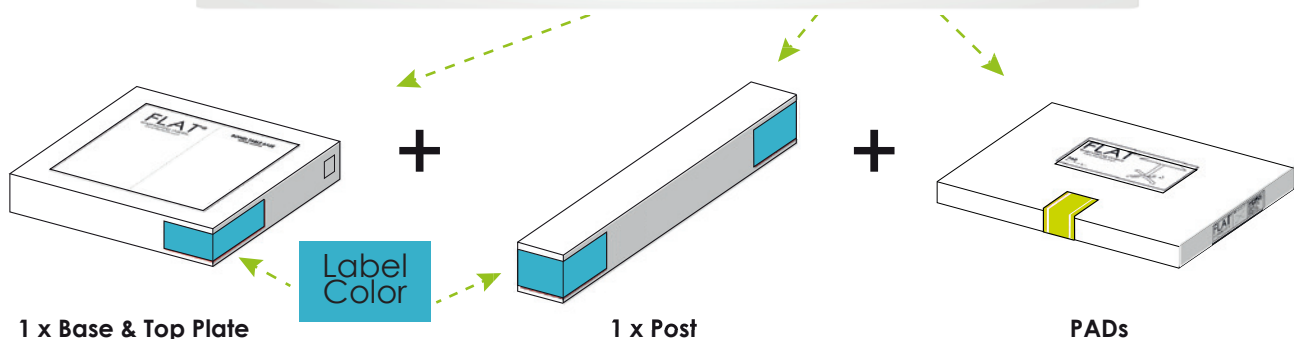
Table Bases



Keep Model Components Packaged Until Assembly.

Some Components Are Not Interchangeable Between Models

AUTO-ADJUST UR17 Series				
Model	Product Code	Base & Top Plate	Post & Rod	PAD
Standard Height	CT3006	FBT2056A01	FPR2056A02	FPB5034A05



Component Configuration AUTO-ADJUST UR22 Series

FLAT®

AUTO-ADJUST

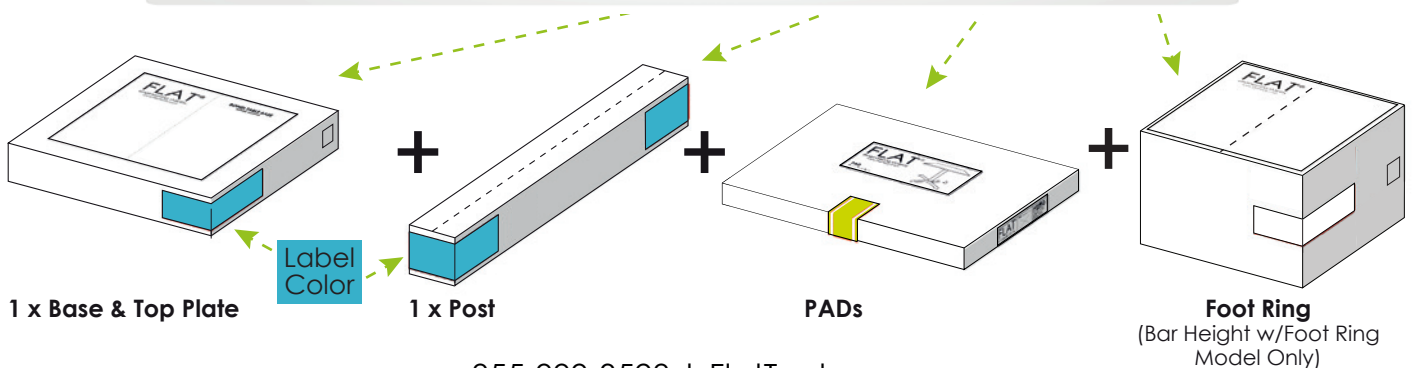
Table Bases



Keep Model Components Packaged Until Assembly.

Some Components Are Not Interchangeable Between Models

AUTO-ADJUST UR22 Series					
Model	Product Code	Base & Top Plate	Post & Rod	PAD	Foot Ring
Standard Height	CT3012	FBT2084A01	FPR2056A02	FPB5023A05	
Bar Height	CT3014	FBT2084A01	FPR2058A01	FPB5023A05	
Bar Height with Foot Ring	CT3018	FBT2084A01	FPR2055A01	FPB5023A05	FPR2060A02



Component Configuration AUTO-ADJUST UR30 Series



FLAT®

AUTO-ADJUST

Table Bases



Keep Model Components Packaged Until Assembly.
Some Components Are Not Interchangeable Between Models

AUTO-ADJUST UR30 Series					
Model	Product Code	Base & Top Plate	Post & Rod	PAD	Foot Ring
Standard Height	CT3013	FBT2086A01	FPR2087A01	FPB5024A05	
Bar Height	CT3015	FBT2086A01	FPR2089A01	FPB5024A05	
Bar Height with Foot Ring	CT3020	FBT2086A01	FPR2091A01	FPB5024A05	FPR2064A01

