

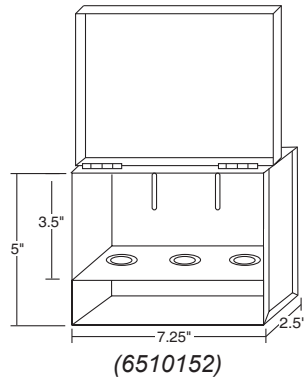
FIRE SPRINKLER SPARE HEAD BOXES



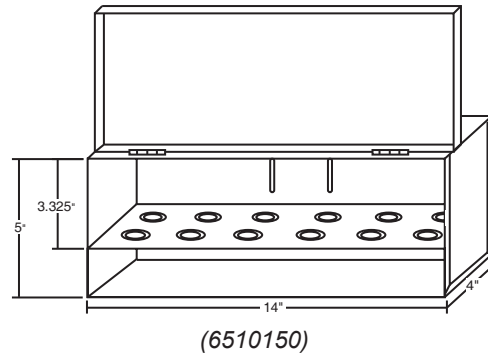
- Heavy duty 20 gauge steel construction
- Red powder coated finish
- Knockouts and shelf to accommodate any 1/2" or 3/4" sprinkler head
- Shelf is positioned to allow for a typical sprinkler head wrench
- All-welded construction and full length hinge
- Slotted for easy mounting with screws, rivets or strapping

(Not intended for exposed or harsh environments)

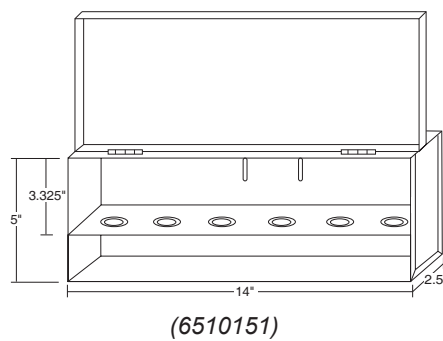
3 Head Box



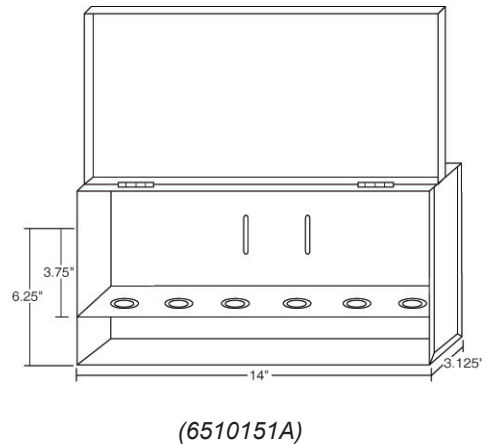
12 Head Box



6 Head



6 Large Head Box



System No.		Location		Spec Section		Paragraph	
Submitted By		Date		Approved		Date	

HEAD BOX WRENCH

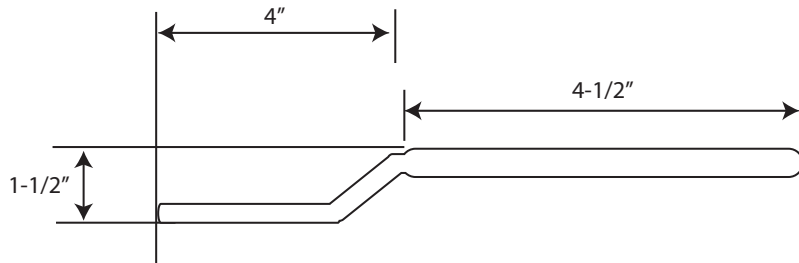
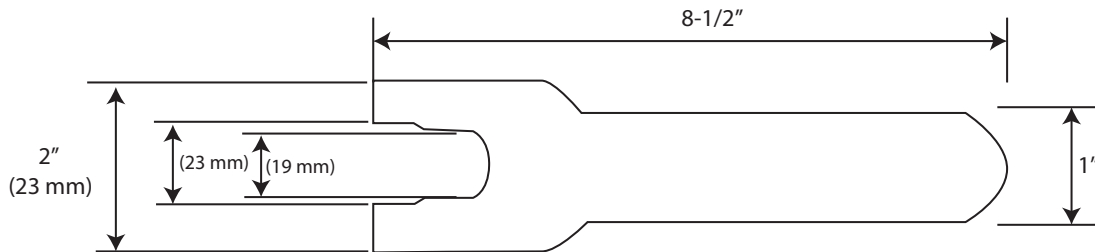


Light Hazard Sprinkler Head Wrench
Great maintenance tool - Put one in every spare head box!



ITEM # 3099186	DESCRIPTION FIRE SPRINKLER HEAD WRENCH FITS SPARE HEAD BOXES
-------------------	---

TOP VIEW



SIDE VIEW

System No.		Location		Spec Section		Paragraph	
Submitted By		Date		Approved		Date	