

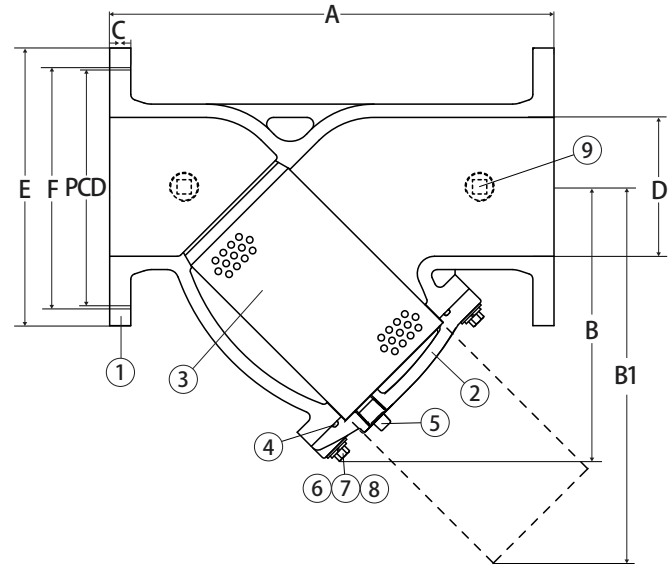
Cast Iron Y-Strainer



Bolted Bonnet • Stainless Steel Screen • Class 125



F-651



Approvals

- Flange: ANSI B16.1

Temperature Rating

- 14° F to 248° F

Features

- Epoxy coated cast iron
- 1/4" NPT test plug upstream and downstream

WARNING: This product can expose you to chemicals including lead, which is known to the State of California to cause cancer, birth defects or other reproductive harm. For more information go to www.P65Warnings.ca.gov.

Material Specifications

No.	Part	Materials
1	Body	Cast Iron - ASTM A126 B
2	Cover	Cast Iron - ASTM A126 B
3	Screen	Stainless Steel 304 - 20 Mesh
4	Packing	EPDM
5	Drain Plug	Brass - 3/4" NPT
6	Bolt	Carbon Steel Galvanized
7	Spring Washer	Carbon Steel Galvanized
8	Washer	Carbon Steel Galvanized
9	Test Plug	Brass - 1/4" NPT

Dimensions

Part No.	Size	Weight	A	B	B1	C	D	E	F	Bolts	Cv	PCD	Screen Mesh	N-OC
106-625	2-1/2"	22	11.42	5.39	8.1	0.71	2.56	7.28	5.5	4	110.9	5.50	0.85 (20)	4-3/4"
106-603	3"	28	12.20	5.98	9.4	0.71	3.15	7.87	6.0	4	174.2	6.00	0.85 (20)	4-3/4"
106-604	4"	36	13.78	8.07	12.5	0.71	3.94	8.66	7.5	8	253.4	7.50	0.85 (20)	8-3/4"
106-606	6"	73	18.90	10.59	15.0	0.71	5.91	11.22	9.5	8	570.3	9.50	0.85 (20)	8-7/8"
106-608	8"	123	23.62	13.43	20	0.75	7.87	13.39	11.75	8	863.4	11.75	0.85 (20)	8-7/8"