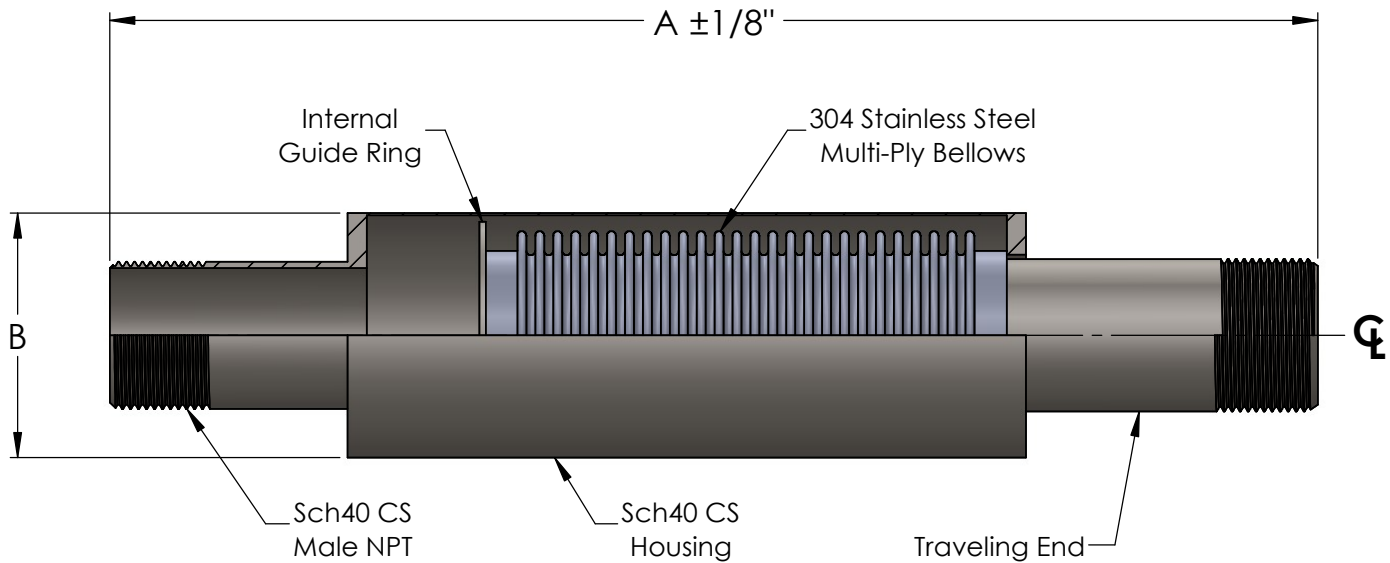
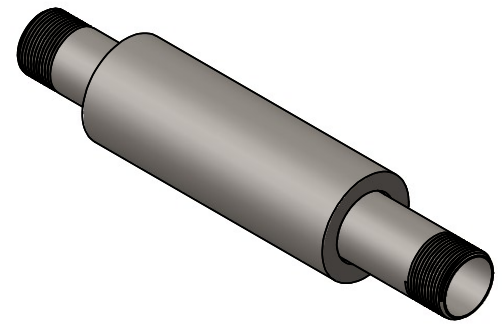


Model HMMT - 2" Compression Expansion Compensator



QTY.	PART NUMBER	SIZE		A (IN)	B (IN)	EFFECTIVE AREA (IN ²)	SPRING RATE (lbs/in)	WEIGHT	NOTES
		(IN)	(MM)						
	HMMT0075	3/4"	20	12-3/4	3	1.5	81	3	
	HMMT0100	1"	25	13-1/4	3	2.1	88	4	
	HMMT0125	1-1/4"	32	13-1/4	3	3.3	75	5	
	HMMT0150	1-1/2"	38	14-5/8	3-1/2	4.3	121	7	
	HMMT0200	2"	50	14-5/8	4	6.3	143	10	
	HMMT0250	2-1/2"	65	16	5	8.8	187	14	
	HMMT0300	3"	80	16	5-1/2	13.1	230	18	
	HMMT0400	4"	100	16-3/8	6-5/8	20.8	484	25	

THE EXPANSION JOINT IS DESIGNED FOR AXIAL MOVEMENT ONLY. PIPE MUST BE PROPERLY GUIDED AND ANCHORED PER THE RECOMMENDATIONS OF THE EXPANSION JOINT MANUFACTURERS ASSOCIATION.

NOTES:

NSF 372 - LEAD FREE: The wetted surface of this product contacted by water contains less than one quarter of one percent (0.25%) of lead by weight. Material complies with state codes and standards where applicable, requiring reduced lead content.

Temperature	750°F (399°C)
Pressure	175 PSI (1206 kPa)
Test Pressure	250 PSI (1809 kPa)
Axial Compression	2" (50mm)
Axial Extension	1/2" (13mm)

REV.	DRAWN BY: CL	Date: 7/31/2020
		5331 Quam Ave NE St. Michael, MN 55376 Phone: 763-201-2151 Fax: 763-201-2134 Email: sales@engineeredflex.com
		Customer:
Project:		
Style: HMMT Series - Male NPT Compensator		
SCALE: NONE	DRAWING NUMBER:	