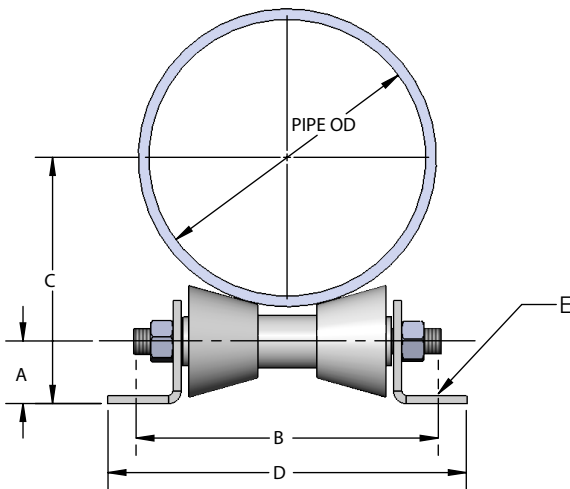


Rooftop Block Materials / Finishes:	100% Recycled Rubber Base with 1-5/8" X 1-5/8" Pre-Galvanized Strut Channel (7510RT7100Z)
Roller Assembly Materials / Finishes:	Zinc Plated (7510RT7100ZG) Hot-Dip Galvanized (7510RT7100ZRHDG) T-304 Stainless Steel (7510RT7100ZRSS) T-316 Stainless Steel (7510RT7100ZRSX)
Ordering:	Specify figure number.



PIPE SIZE	A	B	C	D	E	AXLE SIZE
2	1-7/16	5-5/8	3-3/8	7-1/4	9/16	1/2 X 5-1/8
2-1/2	1-7/16	5-5/8	3-11/16	7-1/4	9/16	1/2 X 5-1/8
3	1-7/16	5-5/8	4	7-1/4	9/16	1/2 X 5-1/8
3-1/2	1-7/16	5-5/8	4-1/4	7-1/4	9/16	1/2 X 5-1/8
4	1-7/16	6-5/8	4-5/16	8-1/4	9/16	3/4 X 6-1/8
5	1-7/16	6-5/8	4-7/8	8-1/4	9/16	3/4 X 6-1/8
6	1-7/16	6-5/8	5-7/16	8-1/4	9/16	3/4 X 6-1/8
8	1-13/16	8-5/8	7-1/8	10-1/4	9/16	7/8 X -9
10	1-13/16	8-5/8	8-3/16	10-1/4	9/16	7/8 X -9

PROJECT INFORMATION			APPROVAL STAMP
Project:			Notes:
Address:			
Contractor:			
Engineer:			
Date:			
Approved	Approved as Noted	Not Approved	

