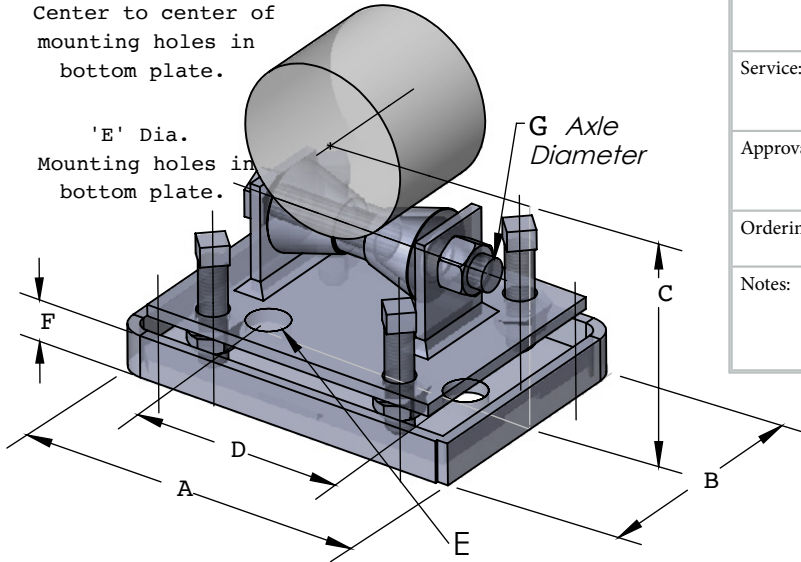


'C'  
Center of pipe to bottom  
of base plate.

'D'  
Center to center of  
mounting holes in  
bottom plate.

'E' Dia.  
Mounting holes in  
bottom plate.



Materials/Finishes:	Plain Carbon Steel (280SB)	Hot-Dip Galvanized (280SHDG)
	T-304 Stainless Steel (280SSS)	T-316 Stainless Steel (280SSX)
Variants:	With Non Conductive Roll (280SNCR)	
Max. Temperatures:	Plain Carbon Steel: 400° F Hot-Dip Galvanized: 350° F T-304 and T-316 Stainless: 1000° F	
Service:	Designed for the support of pipe where longitudinal movement may occur due to expansion and contraction, and where vertical adjustment is necessary.	
Approvals:	Complies with Federal Specification WW-H-171-E (Type# 47), A-A-1192 A (Type# 46) and Manufacturers' Standardization Society MSS SP-58 and SP-69 (Type# 46).	
Ordering:	Specify figure number, finish and roller size. Please remember to consider insulation thickness when sizing rollers	
Notes:	Stainless steel pipe roll hangers are recommended for applications where protection from a corrosive environment is required. Stainless steel options may use a different axle configuration. Contact Empire Industries for more information.	

PIPE SIZE	A	B	C MIN	C MAX	D	E	F	G	WGT EACH (lbs)	MAX REC LOAD (lbs)
2	6-7/8	6-1/2	4-3/4	5-5/8	3-7/8	1	1	1/2	11.00	390
2-1/2	6-7/8	6-1/2	5	5-7/8	3-7/8	1	1	1/2	11.00	390
3	6-7/8	6-1/2	5-5/16	6-3/16	3-7/8	1	1	1/2	11.00	390
3-1/2	6-7/8	6-1/2	5-9/16	6-7/16	3-7/8	1	1	1/2	11.00	390
4	8-1/2	6	6-3/16	7-7/16	5-1/8	1	1	1/2	13.10	950
5	8-1/2	6	6-3/4	8	5-1/8	1	1	1/2	13.10	950
6	8-1/2	6	7-1/4	8-1/2	5-1/8	1	1	1/2	13.10	950
8	10-1/2	7-1/2	10-1/8	11-11/16	7-3/8	1	1	3/4	29.00	2100
10	10-1/2	7-1/2	11-3/16	12-3/4	7-3/8	1	1	3/4	29.00	2100
12	12-1/2	8-1/2	12-3/4	14-1/8	9-1/2	1	1	7/8	40.00	3075
14	12-1/2	8-1/2	13-3/8	14-3/4	9-1/2	1	1	7/8	40.00	3075
16	14-5/8	11	15-3/8	17-1/4	11-1/8	1	1	1-1/8	63.84	4980
18	14-5/8	11	16-3/8	18-1/4	11-1/8	1	1	1-1/8	63.84	4980
20	14-5/8	11	17-3/8	19-1/4	11-1/8	1	1	1-1/8	63.84	4980
24	15-3/4	11	19-1/4	21-1/4	12-1/4	1	1	1-1/4	71.00	6100
30	19-1/2	10-3/4	24-7/16	26-11/16	15-3/4	1	1-1/2	1-3/4	125.28	7500

PROJECT INFORMATION			APPROVAL STAMP
Project:			Notes:
Address:			
Contractor:			
Engineer:			
Date:			
Approved	Approved as Noted	Not Approved	