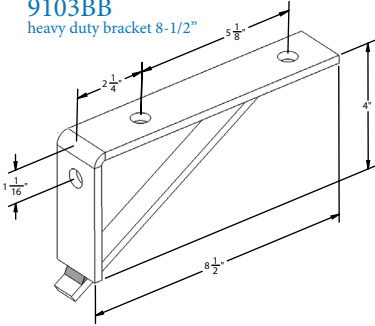
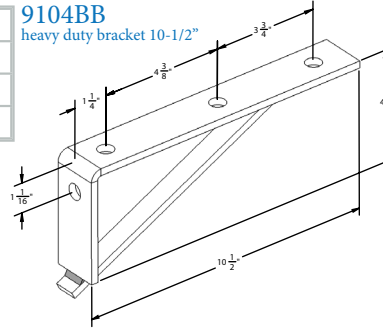


9103BB
heavy duty bracket 8-1/2"



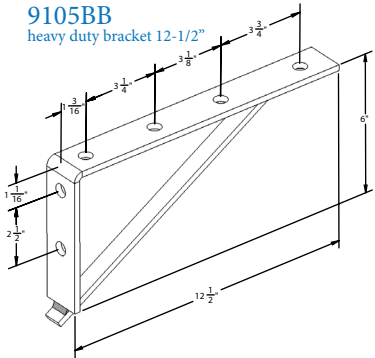
Materials/Finishes:	Zinc Plated (9103BBZ)
Thickness:	1/4"
Hole Dim:	9/16"
Wgt. each (lbs)	1.68

9104BB
heavy duty bracket 10-1/2"



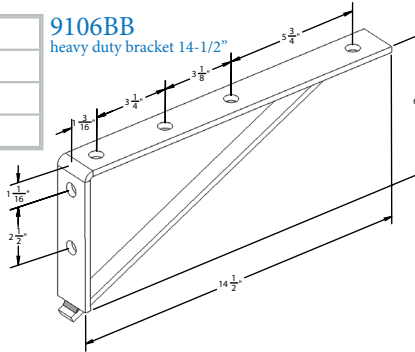
Materials/Finishes:	Zinc Plated (9104BBZ)
Thickness:	1/4"
Hole Dim:	9/16"
Wgt. each (lbs)	2.02

9105BB
heavy duty bracket 12-1/2"



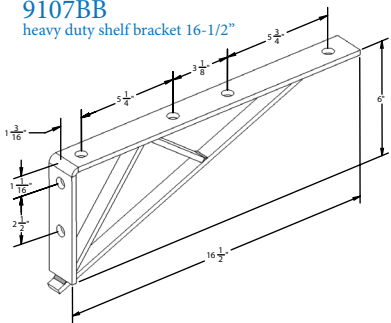
Materials/Finishes:	Zinc Plated (9105BBZ)
Thickness:	1/4"
Hole Dim:	9/16"
Wgt. each (lbs)	2.58

9106BB
heavy duty bracket 14-1/2"



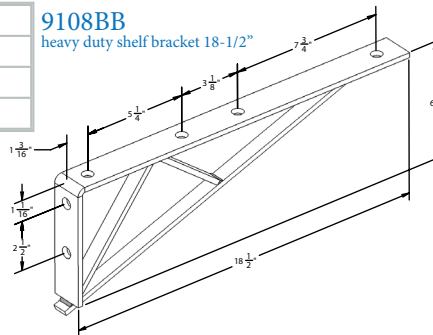
Materials/Finishes:	Zinc Plated (9106BBZ)
Thickness:	1/4"
Hole Dim:	9/16"
Wgt. each (lbs)	2.92

9107BB
heavy duty shelf bracket 16-1/2"



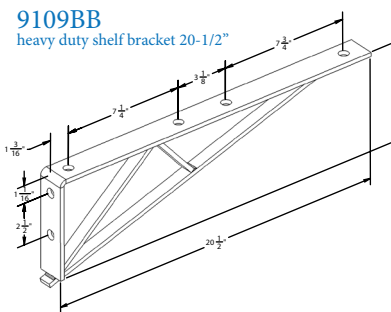
Materials/Finishes:	Zinc Plated (9107BBZ)
Thickness:	1/4"
Hole Dim:	9/16"
Wgt. each (lbs)	3.81

9108BB
heavy duty shelf bracket 18-1/2"



Materials/Finishes:	Zinc Plated (9108BBZ)
Thickness:	1/4"
Hole Dim:	9/16"
Wgt. each (lbs)	4.16

9109BB
heavy duty shelf bracket 20-1/2"



Materials/Finishes:	Zinc Plated (9109BBZ)
Thickness:	1/4"
Hole Dim:	9/16"
Wgt. each (lbs)	4.61

PROJECT INFORMATION		APPROVAL STAMP
Project:	Notes:	
Address:		
Contractor:		
Engineer:		
Date:		
Approved	Approved as Noted	Not Approved