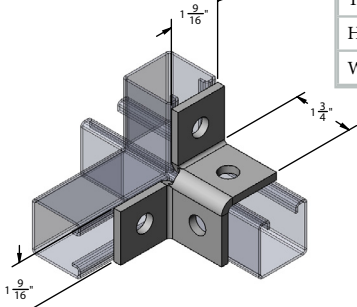
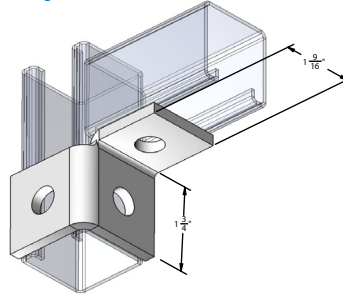


9066WF
4-hole double corner connection



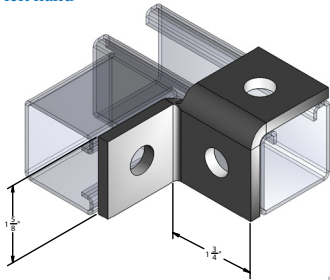
Materials/Finishes:	Zinc Plated (9066ZFZ)
Thickness:	1/4"
Hole Dim:	9/16"
Wgt. each (lbs)	.38

9067WF
2-hole single corner connection
right hand



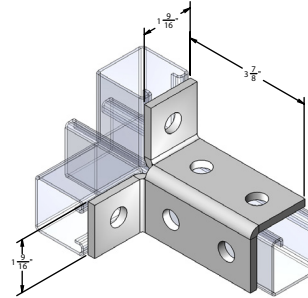
Materials/Finishes:	Zinc Plated (9067ZFZ)
Thickness:	1/4"
Hole Dim:	9/16"
Wgt. each (lbs)	.43

9068WF
2-hole single corner connection
left hand



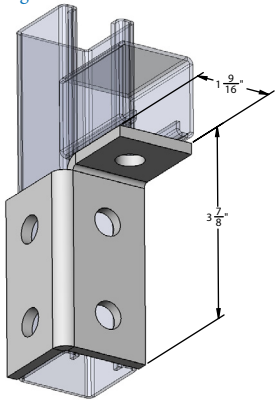
Materials/Finishes:	Zinc Plated (9068ZFZ)
Thickness:	1/4"
Hole Dim:	9/16"
Wgt. each (lbs)	.44

9069WF
6-hole double corner connection



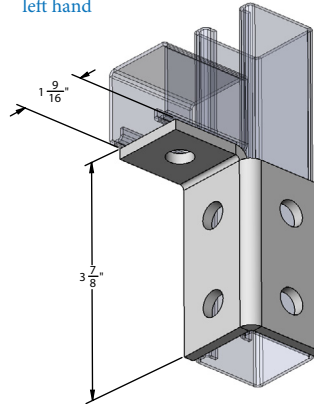
Materials/Finishes:	Zinc Plated (9069ZFZ)
Thickness:	1/4"
Hole Dim:	9/16"
Wgt. each (lbs)	.51

9070WF
5-hole single corner connection
right hand



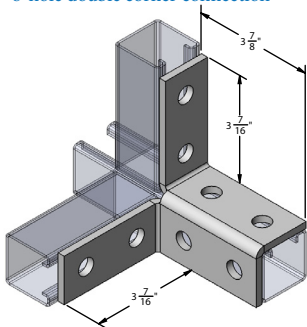
Materials/Finishes:	Zinc Plated (9070ZFZ)
Thickness:	1/4"
Hole Dim:	9/16"
Wgt. each (lbs)	.52

9071WF
5-hole single corner connection
left hand



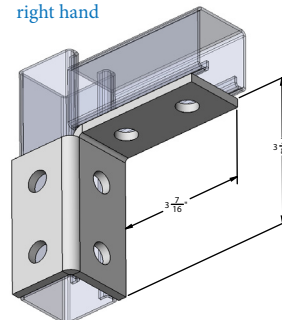
Materials/Finishes:	Zinc Plated (9071ZFZ)
Thickness:	1/4"
Hole Dim:	9/16"
Wgt. each (lbs)	.64

9072WF
8-hole double corner connection



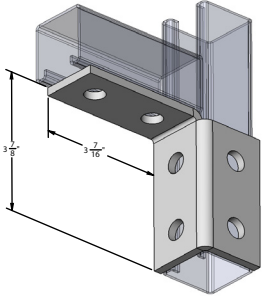
Materials/Finishes:	Zinc Plated (9072ZFZ)
Thickness:	1/4"
Hole Dim:	9/16"
Wgt. each (lbs)	.70

9073WF
6-hole single corner connection
right hand



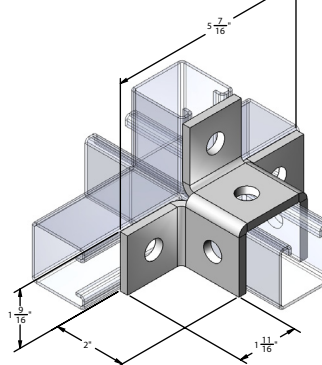
Materials/Finishes:	Zinc Plated (9073ZFZ)
Thickness:	1/4"
Hole Dim:	9/16"
Wgt. each (lbs)	.97

9074WF
6-hole single corner connection
left hand



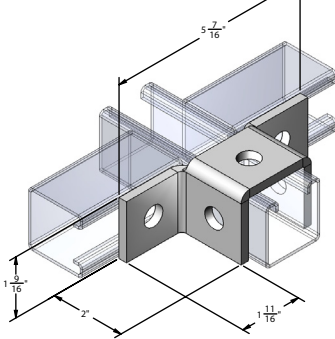
Materials/Finishes:	Zinc Plated (9074ZFZ)
Thickness:	1/4"
Hole Dim:	9/16"
Wgt. each (lbs)	.70

9075WF
6-hole triple wing connection



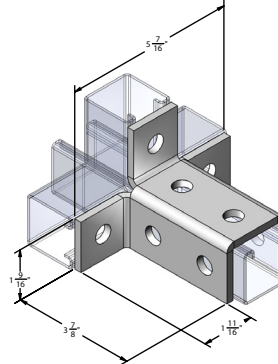
Materials/Finishes:	Zinc Plated (9075ZFZ)
Thickness:	1/4"
Hole Dim:	9/16"
Wgt. each (lbs)	.70

9076WF
5-hole double wing connection



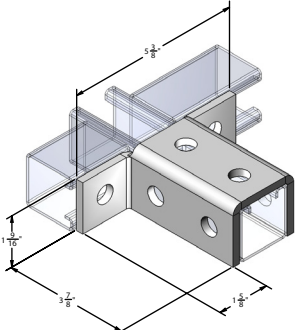
Materials/Finishes:	Zinc Plated (9076ZFZ)
Thickness:	1/4"
Hole Dim:	9/16"
Wgt. each (lbs)	.70

9077WF
9-hole triple wing connection



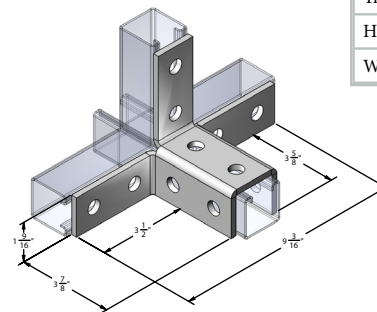
Materials/Finishes:	Zinc Plated (9077ZFZ)
Thickness:	1/4"
Hole Dim:	9/16"
Wgt. each (lbs)	.70

9078WF
8-hole double wing connection



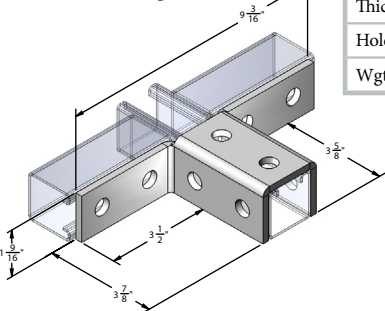
Materials/Finishes:	Zinc Plated (9078ZFZ)
Thickness:	1/4"
Hole Dim:	9/16"
Wgt. each (lbs)	.70

9079WF
12-hole triple wing connection



Materials/Finishes:	Zinc Plated (9079ZFZ)
Thickness:	1/4"
Hole Dim:	9/16"
Wgt. each (lbs)	.70

9080WF
10-hole double wing connection



Materials/Finishes:	Zinc Plated (9080ZFZ)
Thickness:	1/4"
Hole Dim:	9/16"
Wgt. each (lbs)	.70

PROJECT INFORMATION			APPROVAL STAMP
Project:			Notes:
Address:			
Contractor:			
Engineer:			
Date:			
Approved	Approved as Noted	Not Approved	