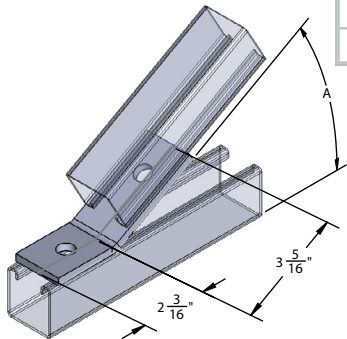
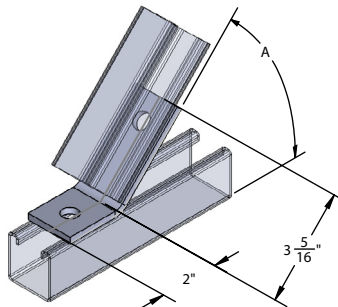


**9044AF**  
2-hole open angle 30°  
2-3/8" x 3-1/8"



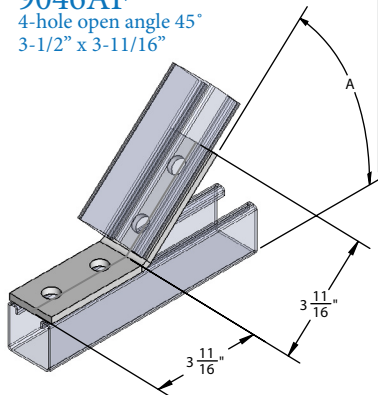
Materials/Finishes:	Zinc Plated (9044AFZ)
Thickness:	1/4"
Hole Dim:	9/16"
Wgt. each (lbs)	.59

**9045AF**  
2-hole open angle 45°  
2-3/8" x 3-1/8"



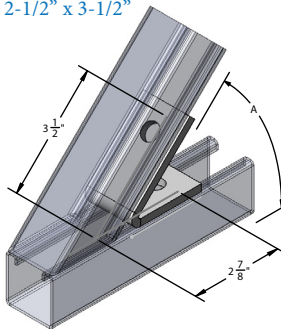
Materials/Finishes:	Zinc Plated (9045AFZ)
	T-304 Stainless (9045AFSS)
	T-316 Stainless (9045AFSX)
Thickness:	1/4"
Hole Dim:	9/16"
Wgt. each (lbs)	.59

**9046AF**  
4-hole open angle 45°  
3-1/2" x 3-11/16"



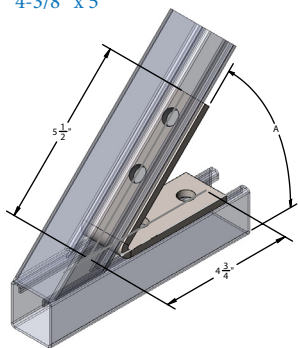
Materials/Finishes:	Zinc Plated (9046AFZ)
	T-304 Stainless (9046AFSS)
	T-316 Stainless (9046AFSX)
Thickness:	1/4"
Hole Dim:	9/16"
Wgt. each (lbs)	.78

**9047AF**  
2-hole closed angle 45°  
2-1/2" x 3-1/2"



Materials/Finishes:	Zinc Plated (9047AFZ)
Thickness:	1/4"
Hole Dim:	9/16"
Wgt. each (lbs)	.56

**9048AF**  
4-hole closed angle 45°  
4-3/8" x 5"



Materials/Finishes:	Zinc Plated (9048AFZ)
Thickness:	1/4"
Hole Dim:	9/16"
Wgt. each (lbs)	.95

PROJECT INFORMATION		APPROVAL STAMP
Project:		Notes:
Address:		
Contractor:		
Engineer:		
Date:		
Approved	Approved as Noted	Not Approved