





















# Hygienic Fittings Table of Contents

<p><b>Clamps</b></p>  <p>pgs. 3 - 21</p>	<p><b>Spools</b></p>  <p>pgs. 22 - 23</p>	<p><b>Weld</b></p>  <p>pgs. 24 - 34</p>
<p><b>Unpolished Weld</b></p>  <p>pgs. 35 - 40</p>	<p><b>Bevel Seat</b></p>  <p>pgs. 41 - 48</p>	<p><b>I-line and Q-line</b></p>  <p>pgs. 49 - 54</p>
<p><b>John Perry</b></p>  <p>pgs. 56 - 59</p>	<p><b>Euro Fittings</b></p>  <p>pgs. 60 - 63</p>	<p><b>BPE Fittings</b></p>  <p>pgs. 64 - 80</p>
<p><b>Pipe Size and Hangers</b></p>  <p>pgs. 81 - 93</p>	<p><b>Gaskets</b></p>  <p>pgs. 94 - 114</p>	<p><b>Tubing</b></p>  <p>pgs. 115 - 117</p>
<p><b>Hanger &amp; Wall Flanges</b></p>  <p>pgs. 118 - 127</p>	<p><b>Instrumentation</b></p>  <p>pgs. 130 - 135</p>	<p><b>Hose Couplings</b></p>  <p>pgs. 136 - 143</p>
<p><b>Vacuum Fittings</b></p>  <p>pgs. 144 - 152</p>	<p><b>Accessories</b></p>  <p>pgs. 153 - 166</p>	<p><b>Sanitary Valves</b></p>  <p>pgs. 167 - 183</p>

**Sanitary Tube Fittings.....3-143**

Clever Clamp®.....3

Clamps.....4-6

Spring loaded nut.....6

Clamp accessories.....7

Clamp fittings.....8-19

    Ferrules.....8-9

    Elbows.....10-11

    Tees.....12

    Reducers.....13-14

    Caps.....15

    Adapters.....16-19

Laterals, wyes, crosses, bends, and flanges.....20-21

Sanitary spools.....22-23

Weld.....24-34

    Elbows.....25-26

    Sweep elbows.....27

    Tees.....28-29

    Reducers.....30-31

    Caps.....31

    Adapters.....32

    Laterals, wyes, crosses, bends, and flanges.....33-34

    Gaskets.....34

Unpolished weld.....35-40-

    Elbows.....36

    Tees.....37

    Reducers.....38

    Laterals, wyes, bends, and flanges.....39-40

    Gaskets.....40

Bevel seat.....41-48

    Nuts.....42

    Hex wrenches.....42

    Ferrules.....43-45

    Elbows.....46

    Reducers.....47

    Caps.....48

    Adapters.....48

I-line / Q-line.....49-54

    Clamps.....50

    Ferrules.....51-52

    Elbows.....53

    End caps.....54

    Adapters.....55

John Perry.....56-59

    Nuts.....57

    Wrenches.....57

    Ferrules.....58

    End caps.....59

European fittings.....60-63

    DIN.....61

    SMS.....62

    RJT.....63

High purity Biopharm fittings.....64-80

    Caps.....66

    Adapters.....67

    Ferrules.....68

    Elbows.....68-69

    Tees.....70-74

    Reducers.....75-80

Pipe size.....81-93

    Clamps.....82

    Ferrules.....83

    End caps.....83

    Adapters.....84

**Sanitary Tube Fittings (cont.).....3-143**

Hangers.....85-89

Schedule 5S and 10S gaskets.....91

Pipe gasket sizing guide.....92-93

Sanitary gaskets.....94-114

    Clamp.....96-103

    Bevel seat.....104-105

    I-line / Q-line.....106-107

    John Perry.....108-109

    European.....110-111

    Clamp fittings and gasket sizing guide.....112-114

Sanitary tubing.....115

ASTM-A270 polished I.D. / O.D. tubing.....116-117

Tube hangers.....118-126

    Hex.....119-123

    Block.....124-125

    Process.....126

Wall flanges.....127

Pressure gauges.....130-133

Thermometers.....134

RTDs and temperature transmitters.....135

Hose couplings.....136

King Crimp® stem.....137

King Crimp sleeves.....138-139

King Crimp Ferrules.....140-141

Dixon sanitary style.....142-143

    Stems.....142

    Ferrules.....143

**Vacuum Fittings ..... 144-152**

    KF flange.....144-145

    KF ring.....145-146

    KF bellow.....146

    KF clamp.....146

    ISO flange.....147-148

    ISO ring.....148

    ISO bellow.....148

    ISO clamp.....148

Vacuum weld.....149-151

    Elbows.....150

    Reducers.....151

    Tees.....151

Material test reports.....152

**Breakaway Couplings ..... 153**

**Spray Balls..... 154**

**Sight Glasses ..... 155-157**

**Swivels ..... 158**

**Cartridge Filter Elements ..... 159-163**

**Strainers..... 164-166**

**Sanitary Valves ..... 167-183**

Tank vent valve.....167

2-way, 3-piece ball valves.....168-170

Butterfly valves.....171-176

    B5107-series.....171-174

    B5102 series.....175

    B5116-series.....176

Spring check valves.....177

Y ball check valves.....178

Air blow check valves.....179

Air relief check valves.....180

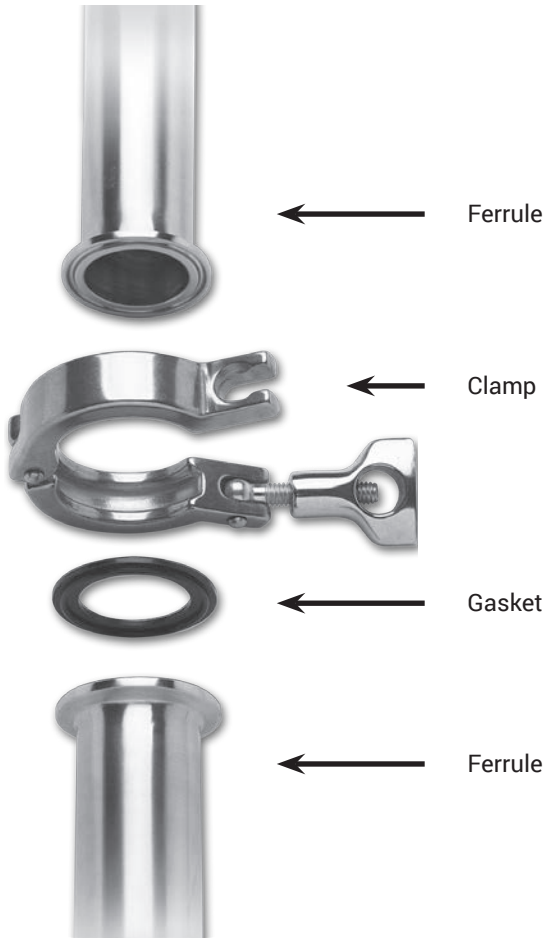
Air / vacuum relief tank valve.....181-182

BSV-series sample valves.....183



## Dixon Sanitary Clamp Fittings

### A Complete Clamp Connection



**Sizes**

- 1/2" - 12" O.D. tube

**Materials**

- G = 304 stainless steel
- R = 316L stainless steel
- Other alloys are available

**Features**

- 3A sanitary finish I.D. and O.D.

**Primary Markets**

- Found in the food processing, beverage, dairy, personal care, pet products, wineries and breweries, oil extraction, and industrial markets
- Other finishes are available

### Dimensions of stainless steel tube

Tube O.D.	Nominal Wall Thickness (in)
1/2"	.065
3/4"	.065
1"	.065
1-1/2"	.065
2"	.065
2-1/2"	.065
3"	.065
4"	.083
5"	.109
6"	.109
8"	.109
10"	.120
12"	.120

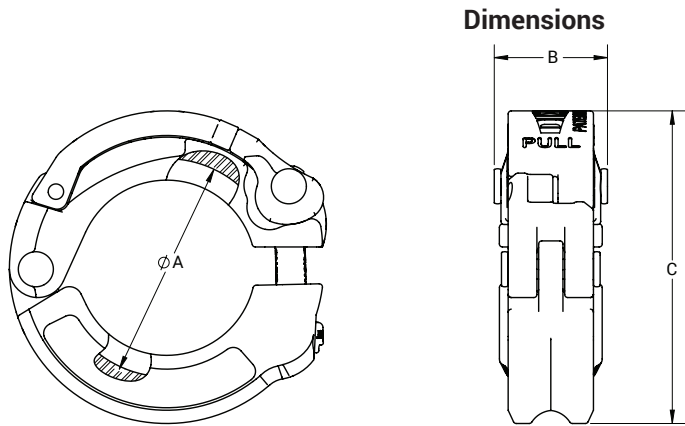


Pipe size and Tube O.D. size materials are not interchangeable


### Clever Clamp®

**Features**

- Consistent compression of the gasket with every use - no concern for damage to gasket or creation of internal bacterial traps from improper compression
- Adjustable for both rubber and PTFE gasket styles
- Fast installation, no torquing tools required
- Threadless design, eliminates risk of damaged threads leading to improper tightening of the wingnut
- Lockout ready design
- Self-locking lever and color-coding options available



Tube O.D.	Service Pressure Rating PSI @ 70°F (21°C) <sup>1</sup>	Service Pressure Rating PSI @ 250°F (121°C) <sup>1</sup>	A (in)	B (in)	C (in)	304 Stainless Steel Part #	Clever Clamp with self locking pin 304 Stainless Steel Part #
1-1/2"	500	300	2.14	1.10	3.04	13SCC-100150	13SCC-100150L
2"	450	250	2.65	1.10	3.53	13SCC-200	13SCC-200L
3"	350	175	3.72	1.10	4.59	13SCC-300	13SCC-300L


<sup>1</sup> Service ratings are based on hydrostatic tests using standard-molded nitrile rubber, EPDM, FKM, and silicone material gaskets, with proper installation of ferrules, assembly of joints and absence of shock pressure or water hammer. Contact Dixon® for service of other type and material gaskets. All ratings shown are dependent upon related components within the systems and proper installation of those components. For temperatures above 250°F, we cannot provide service ratings. Before installation, testing must be done under the specific conditions of your application. Verify specific gasket material temperature ratings. This information is only applicable if Dixon clamps, ferrules, and gaskets are used. Dixon cannot guarantee the quality or integrity of other manufacturers components. 

### Food Grade Silicone Color I.D. Bands - 25pcs/pack

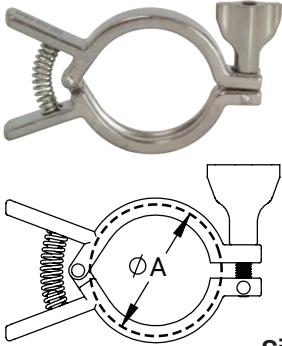
Color	Part #
Red	13SCC-CB-R
Green	13SCC-CB-G
Blue	13SCC-CB-B
Yellow	13SCC-CB-Y



Clamps

Service pressure ratings are based on the following parameters: matching elastomer gaskets and weld ferrules properly aligned and assembled with the clamps tightened to the required torques. Tests are done hydrostatically with no water hammer or shock loads. Please note the pressure ratings of the described unions may be above the recommended pipe line operating pressures. 

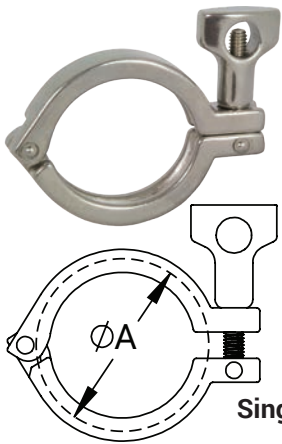
Single Pin Squeeze Clamps - 13MHHM-Q



Tube O.D.	Service Pressure Rating PSI @ 70°F (21°C) <sup>1</sup>	Service Pressure Rating PSI @ 250°F (121°C) <sup>1</sup>	A (in)	304 Stainless Steel Part #
1/2" - 3/4"	1500	1200	1.06	13MHHM-Q75
1" - 1-1/2"	500	300	2.12	13MHHM-Q100150
2"	450	250	2.65	13MHHM-Q200
2-1/2"	400	200	3.18	13MHHM-Q250
3"	350	175	3.72	13MHHM-Q300
4"	300	150	4.82	13MHHM-Q400

<sup>1</sup>Wing nut tightened to 25 in-lb of torque

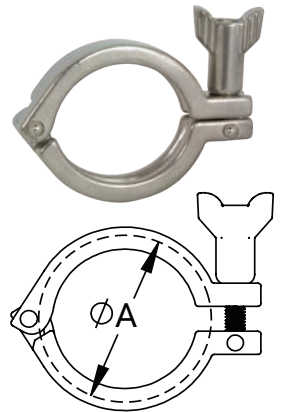
Single Pin Heavy Duty Clamps with Cross Hole Wing Nut - 13MHHM



Tube O.D.	Service Pressure Rating PSI @ 70°F (21°C) <sup>1</sup>	Service Pressure Rating PSI @ 250°F (121°C) <sup>1</sup>	A (in)	304 Stainless Steel Part #
1/2" - 3/4"	1500	1200	1.06	13MHHM50-75
1" - 1-1/2"	500	300	2.12	13MHHM100-150
2"	450	250	2.65	13MHHM200
2-1/2"	400	200	3.19	13MHHM250
3"	350	175	3.72	13MHHM300
4"	300	150	4.82	13MHHM400
5"	225	100	5.82	13MHHM500
6"	150	75	6.69	13MHHM600
8"	100	50	8.69	13MHHM800

<sup>1</sup>Wing nut tightened to 25 in-lbs of torque

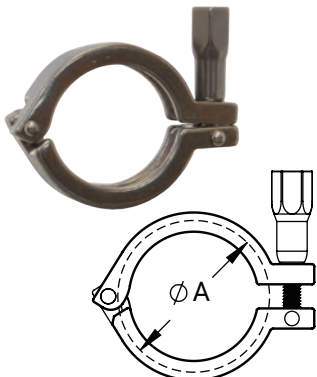
Single Pin Heavy Duty Clamps with Serrated Wing Nut - 13MHHM\*\*\*SN



Tube O.D.	Service Pressure Rating PSI @ 70°F (21°C) <sup>1</sup>	Service Pressure Rating PSI @ 250°F (121°C) <sup>1</sup>	A (in)	304 Stainless Steel Part #
1/2" - 3/4"	1500	1200	1.06	13MHHM50-75SN
1" - 1-1/2"	500	300	2.12	13MHHM100-150SN
2"	450	250	2.65	13MHHM200SN
2-1/2"	400	200	3.19	13MHHM250SN
3"	350	175	3.72	13MHHM300SN
4"	300	150	4.82	13MHHM400SN
5"	225	100	5.82	13MHHM500SN
6"	150	75	6.70	13MHHM600SN
8"	100	50	8.70	13MHHM800SN

<sup>1</sup>Wing nut tightened to 25 in-lb of torque

Single Pin Heavy Duty Clamps with Hex Nut - 13MHHM\*\*\*WNH



Tube O.D.	Service Pressure Rating PSI @ 70°F (21°C) <sup>1</sup>	Service Pressure Rating PSI @ 250°F (121°C) <sup>1</sup>	A (in)	304 Stainless Steel Part #
1/2" - 3/4"	1500	1200	1.06	13MHHM50-75WNH
1" - 1-1/2"	500	300	2.12	13MHHM100150WNH
2"	450	250	2.65	13MHHM200WNH
2-1/2"	400	200	3.19	13MHHM250WNH
3"	350	175	3.72	13MHHM300WNH
4"	300	150	4.82	13MHHM400WNH
5"	225	100	5.82	13MHHM500WNH
6"	150	75	6.70	13MHHM600WNH
8"	100	50	8.70	13MHHM800WNH

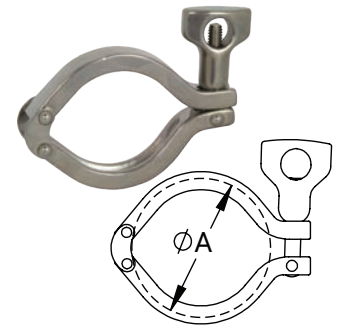
<sup>1</sup>Wing nut tightened to 25 in-lb of torque

## Clamps

### Double Pin Heavy Duty Clamps - 13MHHM-DP

Tube O.D.	Service Pressure Rating PSI @ 70°F (21°C) <sup>1</sup>	Service Pressure Rating PSI @ 250°F (121°C) <sup>1</sup>	A (in)	304 Stainless Steel Part #
1" - 1-1/2"	500	300	2.12	13MHHM-DP100150
2"	450	250	2.65	13MHHM-DP200
2-1/2"	400	200	3.19	13MHHM-DP250
3"	350	175	3.72	13MHHM-DP300
4"	300	150	4.82	13MHHM-DP400
10"	100	50	10.74	13MHHM-DP1000

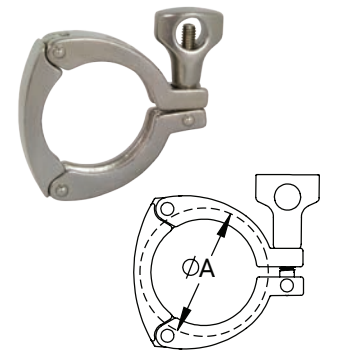
<sup>1</sup>Wing nut tightened to 25 in-lb of torque



### Three Segment Clamps - 13MHHM-3P

Tube O.D.	Service Pressure Rating PSI @ 70°F (21°C) <sup>1</sup>	Service Pressure Rating PSI @ 250°F (121°C) <sup>1</sup>	A (in)	304 Stainless Steel Part #
1" - 1-1/2"	600	300	2.12	13MHHM-3P100150
2"	550	275	2.65	13MHHM-3P200
2-1/2"	450	225	3.19	13MHHM-3P250
3"	350	175	3.72	13MHHM-3P300
4"	300	150	4.82	13MHHM-3P400
12"	75	50	12.74	13MHHM-3P1200

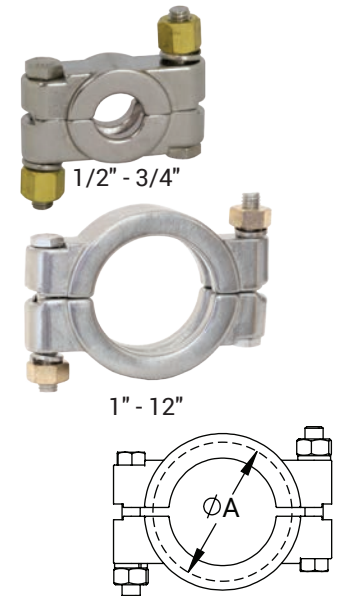
<sup>1</sup>Wing nut tightened to 25 in-lb of torque



### Bolted Clamps - 13MHP

Tube O.D.	Service Pressure Rating PSI @ 70°F (21°C) <sup>1</sup>	Service Pressure Rating PSI @ 250°F (121°C) <sup>1</sup>	A (in)	304 Stainless Steel Part #
1/2" - 3/4"	1500	1200	1.06	13MHP75
1" - 1-1/2"	1500	1200	2.05	13MHP100-150
2"	1000	800	2.58	13MHP200
2-1/2"	1000	800	3.11	13MHP250
3"	1000	800	3.64	13MHP300
4"	800	600	4.74	13MHP400
5"	300	200	5.76	13MHP500
6"	300	200	6.63	13MHP600
8"	250	150	8.64	13MHP800
10"	200	125	10.74	13MHP1000
12"	150	100	12.74	13MHP1200

<sup>1</sup>All nuts are tightened to 20 ft-lb of torque



### Toggle Clamps - 13MHLA

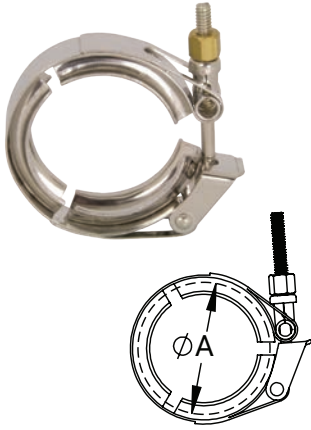
Tube O.D.	Service Pressure Rating PSI @ 70°F (21°C) <sup>1</sup>	Service Pressure Rating PSI @ 250°F (121°C) <sup>1</sup>	A (in)	304 Stainless Steel Part #
1" - 1-1/2"	150	125	2.12	13MHLA100-150
2"	150	125	2.65	13MHLA200
2-1/2"	150	125	3.19	13MHLA250
3"	150	125	3.72	13MHLA300
4"	100	75	4.82	13MHLA400

<sup>1</sup>Screw tightened to maximum



## Clamps

### T-bolt Clamps - 13MO



Tube O.D.	Service Pressure Rating PSI @ 70°F (21°C) <sup>1</sup>	Service Pressure Rating PSI @ 250°F (121°C) <sup>1</sup>	A (in)	304 Stainless Steel Part #
1" - 1-1/2"	500	250	2.08	13MO100-150
2"	350	200	2.61	13MO200
2-1/2"	300	150	3.14	13MO250
3"	200	100	3.67	13MO300
4"	100	75	4.78	13MO400
6"	75	50	6.69	13MO600
8" <sup>2</sup>	50	40	8.69	13MO800
10" <sup>2</sup>	40	30	10.69	13MO1000
12" <sup>2</sup>	30	25	12.69	13MO1200

<sup>1</sup> 1" - 3" nuts tightened to 20 in-lb, 4" to 30 in-lb, 6" to 40 in-lb, and 8" - 12" 50 in-lb of torque.

<sup>2</sup> 2-bolt configuration

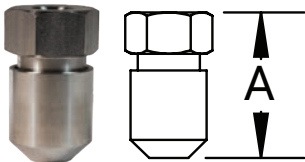
### Dairy Clamps - 13WGC



Tube O.D.	Service Pressure Rating PSI @ 70°F (21°C) <sup>1</sup>	Service Pressure Rating PSI @ 250°F (121°C) <sup>1</sup>	A (in)	304 Stainless Steel Part #
1" - 1-1/2"	100	75	2.08	13WGC100-150
2"	100	75	2.61	13WGC200
2-1/2"	100	75	3.14	13WGC250
3"	100	75	3.67	13WGC300
4"	100	75	4.78	13WGC400

<sup>1</sup> Finger tight

### Spring Loaded Nut - 13SLN



#### Applications

- Lines using PTFE gaskets that are subject to large temperature swings can benefit from this special product, as the PTFE is compressed through the cycling of the lines, the spring loaded nut will help keep the connection from leaking
- Ideal for use in high vibration applications where standard wing nuts can loosen and where bolted clamps are not an option

#### Specification

- Torque to 50 in-lb

Thread	A (in)	304 Stainless Steel Part #
5/16" - 18	1.73	13SLN

NOTE: Can be used on all wing nut style clamps.

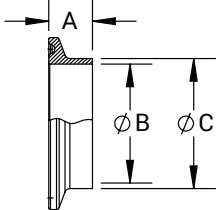


## Accessories

Description	304 Stainless Steel Part #
cross hole wing nut 5/16"-18	13WNX
mini cross hole wing nut 5/16"-18 for 1/2" - 3/4" clamps	13WNXM
serrated wing nut 5/16"-18	13WNS
hex nut 5/16"-18	13WNH
3/8"-16 nuts used on bolted clamps	13BNH
hex nut for bolted clamps	13SN
3/8" lock washer	13LW
bolt 3/8"-16 x 2-1/4" for 1/2" - 1-1/2" bolted clamps	13CB-2.25
bolt 3/8"-16 x 2-3/4" for 2" and 2-1/2" bolted clamps	13CB-2.75
bolt 3/8"-16 x 3-1/4" for 3" - 12" bolted clamps	13CB-3.25
rivet pin for 1/2" - 5" single pin clamps 5/16" x 1"	13RP
rivet pin for 6" and 8" single pin clamps 5/16" x 1-1/8"	13RP6
5/16"-18 x 2" threaded eye bolt for 1/2" - 5" clamps	13IB
5/16"-18 x 2-1/2" threaded eye bolt for 6" - 12" clamps	13IB6



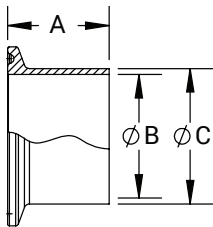
**A**  
3 621  
63-04



**Clamp Fittings - Ferrules**  
**Short Weld Ferrules - 14WMP**

Tube O.D.	A (in)	B (in)	C (in)	304 Stainless Steel Part #	316L Stainless Steel Part #
1/2"	.50	.37	.50	14WMP-G50	14WMP-R50
3/4"	.50	.62	.75	14WMP-G75	14WMP-R75
1"	.50	.87	1.00	14WMP-G100	14WMP-R100
1-1/2"	.50	1.37	1.50	14WMP-G150	14WMP-R150
2"	.50	1.87	2.00	14WMP-G200	14WMP-R200
2-1/2"	.50	2.37	2.50	14WMP-G250	14WMP-R250
3"	.50	2.87	3.00	14WMP-G300	14WMP-R300
4"	.62	3.83	4.00	14WMP-G400	14WMP-R400
5"	.75	4.78	5.00	14WMP-G500	14WMP-R500
6"	.88	5.78	6.00	14WMP-G600	14WMP-R600
8"	.88	7.78	8.00	14WMP-G800	14WMP-R800
10"	.88	9.76	10.00	14WMP-G1000	14WMP-R1000
12"	.88	11.76	12.00	14WMP-G1200	14WMP-R1200

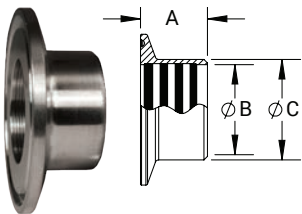
**A**  
3 621  
63-04



**Long Weld Ferrules - L14AM7**

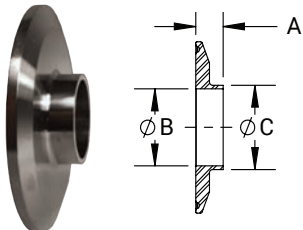
Tube O.D.	A (in)	B (in)	C (in)	304 Stainless Steel Part #	316L Stainless Steel Part #
1/2"	1.13	.37	.50	L14AM7-G50	L14AM7-R50
3/4"	1.13	.62	.75	L14AM7-G75	L14AM7-R75
1"	1.13	.87	1.00	L14AM7-G100	L14AM7-R100
1-1/2"	1.13	1.37	1.50	L14AM7-G150	L14AM7-R150
2"	1.13	1.87	2.00	L14AM7-G200	L14AM7-R200
2-1/2"	1.13	2.37	2.50	L14AM7-G250	L14AM7-R250
3"	1.13	2.87	3.00	L14AM7-G300	L14AM7-R300
4"	1.13	3.83	4.00	L14AM7-G400	L14AM7-R400
5"	1.13	4.78	5.00	L14AM7-G500	L14AM7-R500
6"	1.50	5.78	6.00	L14AM7-G600	L14AM7-R600
8"	1.50	7.78	8.00	L14AM7-G800	L14AM7-R800
10"	1.75	9.76	10.00	L14AM7-G1000	L14AM7-R1000
12"	1.75	11.76	12.00	L14AM7-G1200	L14AM7-R1200

**Reducing Roll-on Ferrules for Expanding - B31RMP**



Clamp End	Tube O.D.	A (in)	B (in)	C (in)	304 Stainless Steel Part #
2"	1"	.75	1.00	1.16	B31RMP-G200100
2"	1-1/2"	1.13	1.50	1.68	B31RMP-G200150

**Reducing Ferrules - B31WMP**



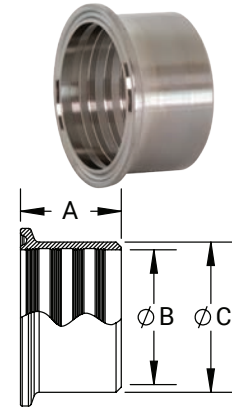
Tube O.D.	A (in)	B (in)	C (in)	304 Stainless Steel Part #	316L Stainless Steel Part #
2" x 1"	.50	.87	1.00	B31WMP-G200100	B31WMP-R200100
2" x 1-1/2"	.50	1.37	1.50	B31WMP-G200150	B31WMP-R200150
2-1/2" x 1-1/2"	.50	1.37	1.50	B31WMP-G250150	B31WMP-R250150
2-1/2" x 2"	.50	1.87	2.00	B31WMP-G250200	B31WMP-R250200
3" x 2"	.50	1.87	2.00	B31WMP-G300200	B31WMP-R300200
3" x 2-1/2"	.50	2.37	2.50	B31WMP-G300250	B31WMP-R300250
4" x 2"	.63	1.87	2.00	B31WMP-G400200	B31WMP-R400200
4" x 2-1/2"	.63	2.37	2.50	B31WMP-G400250	B31WMP-R400250
4" x 3"	.63	2.87	3.00	B31WMP-G400300	B31WMP-R400300

NOTE: Additional sizes available.

## Clamp Fittings - Ferrules

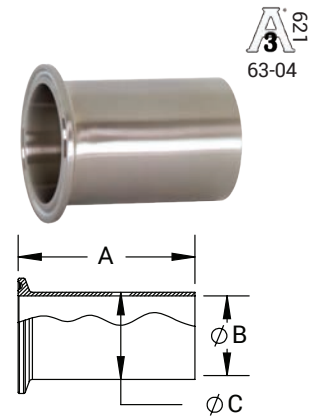
### Roll-On Ferrules for Expanding - 14RMP

Tube O.D.	A (in)	B (in)	C (in)	304 Stainless Steel Part #	316L Stainless Steel Part #
1"	.75	1.01	1.16	14RMP-G100	14RMP-R100
1-1/2"	1.13	1.51	1.68	14RMP-G150	14RMP-R150
2"	1.31	2.01	2.19	14RMP-G200	14RMP-R200
2-1/2"	1.38	2.51	2.71	14RMP-G250	14RMP-R250
3"	1.44	3.01	3.22	14RMP-G300	14RMP-R300
4"	1.50	4.01	4.26	14RMP-G400	14RMP-R400
6"	2.00	6.01	6.26	14RMP-G600	--



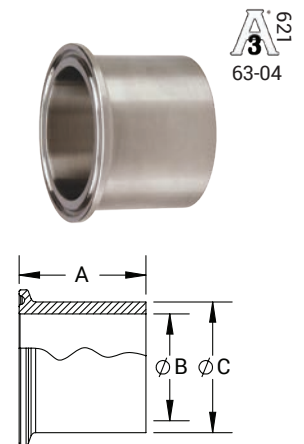
### Tank Ferrules (light duty) - 14WLMP

Tube O.D.	A (in)	B (in)	C (in)	304 Stainless Steel Part #	316L Stainless Steel Part #
1"	3.00	.87	1.00	14WLMP-G100	14WLMP-R100
1-1/2"	3.00	1.37	1.50	14WLMP-G150	14WLMP-R150
2"	3.00	1.87	2.00	14WLMP-G200	14WLMP-R200
2-1/2"	3.00	2.37	2.50	14WLMP-G250	14WLMP-R250
3"	4.00	2.87	3.00	14WLMP-G300	14WLMP-R300
4"	4.00	3.83	4.00	14WLMP-G400	14WLMP-R400
6"	6.00	5.78	6.00	14WLMP-G600	14WLMP-R600
8"	6.00	7.78	8.00	14WLMP-G800	14WLMP-R800
10"	6.00	9.76	10.00	--	14WLMP-R1000
12"	6.00	11.76	12.00	--	14WLMP-R1200



### Tank Ferrules (heavy duty) - 14MPW

Tube O.D.	A (in)	B (in)	C (in)	316L Stainless Steel Part #
1/2"	1.63	.32	.50	14MPW-R50
3/4"	1.63	.57	.75	14MPW-R75
1"	1.63	.87	1.16	14MPW-R100
1-1/2"	1.63	1.37	1.68	14MPW-R150
2"	1.75	1.87	2.19	14MPW-R200
2-1/2"	1.75	2.37	2.71	14MPW-R250
3"	1.81	2.87	3.22	14MPW-R300
4"	2.13	3.83	4.26	14MPW-R400
6"	2.50	5.76	6.19	14MPW-R600
8"	2.50	7.76	8.19	14MPW-R800



Clamp Fittings - Elbows

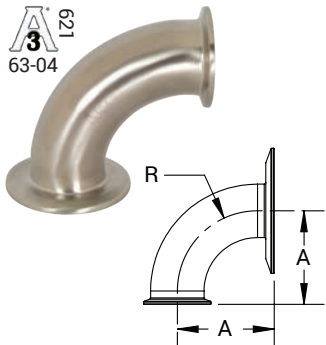
621  
3  
63-04



90° Clamp Elbows - B2CMP

Tube O.D.	A (in)	R (in)	304 Stainless Steel Part #	316L Stainless Steel Part #
1/2"	1.63	1.13	---	B2CMP-R50
3/4"	1.63	1.13	---	B2CMP-R75
1/2"	3.50	1.13	---	B2CMPL-R50
3/4"	3.50	1.13	---	B2CMPL-R75
1"	2.00	1.50	B2CMP-G100	B2CMP-R100
1-1/2"	2.75	2.25	B2CMP-G150	B2CMP-R150
2"	3.50	3.00	B2CMP-G200	B2CMP-R200
2-1/2"	4.25	3.75	B2CMP-G250	B2CMP-R250
3"	5.00	4.50	B2CMP-G300	B2CMP-R300
4"	6.63	6.00	B2CMP-G400	B2CMP-R400
6"	9.88	9.00	B2CMP-G600	B2CMP-R600
8"	12.88	12.00	B2CMP-G800	B2CMP-R800
10"	15.88	15.00	B2CMP-G1000	---
12"	18.88	18.00	B2CMP-G1200	---

621  
3  
63-04

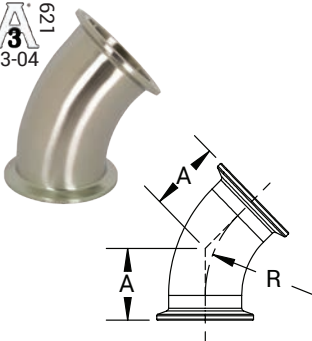


90° Non-Tapered Reducing Clamp Elbows - B2CM31MP

Tube O.D.	A (in)	R (in)	304 Stainless Steel Part #	316L Stainless Steel Part #
2" x 1-1/2"	2.75	2.25	B2CM31MPG200150	B2CM31MPR200150
2-1/2" x 2"	3.50	3.00	B2CM31MPG250200	B2CM31MPR250200
3" x 2"	3.50	3.00	B2CM31MPG300200	B2CM31MPR300200
3" x 2-1/2"	4.25	3.75	B2CM31MPG300250	B2CM31MPR300250

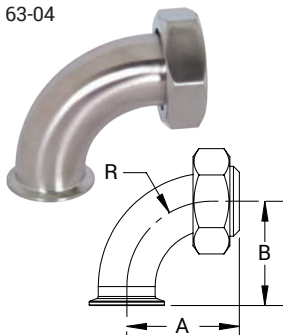
45° Clamp Elbows - B2KMP

621  
3  
63-04



Tube O.D.	A (in)	R (in)	304 Stainless Steel Part #	316L Stainless Steel Part #
1/2"	.97	1.13	---	B2KMP-R50
3/4"	.97	1.13	---	B2KMP-R75
1"	1.12	1.50	B2KMP-G100	B2KMP-R100
1-1/2"	1.44	2.25	B2KMP-G150	B2KMP-R150
2"	1.75	3.00	B2KMP-G200	B2KMP-R200
2-1/2"	2.06	3.75	B2KMP-G250	B2KMP-R250
3"	2.37	4.50	B2KMP-G300	B2KMP-R300
4"	3.13	6.00	B2KMP-G400	B2KMP-R400
6"	4.63	9.00	B2KMP-G600	B2KMP-R600
8"	5.85	12.00	B2KMP-G800	B2KMP-R800
10"	7.13	15.00	B2KMP-G1000	---
12"	8.38	18.00	B2KMP-G1200	---

621  
3  
63-04



90° Clamp x Plain Bevel Seat with Hex Nut Elbows - B2FMP-14

Tube O.D.	A (in)	B (in)	R (in)	304 Stainless Steel Part #
1"	2.22	2.00	1.50	B2FMP-14-G100
1-1/2"	2.97	2.75	2.25	B2FMP-14-G150
2"	3.75	3.50	3.00	B2FMP-14-G200
2-1/2"	4.63	4.25	3.75	B2FMP-14-G250
3"	5.41	5.00	4.50	B2FMP-14-G300
4"	7.03	6.63	6.00	B2FMP-14-G400

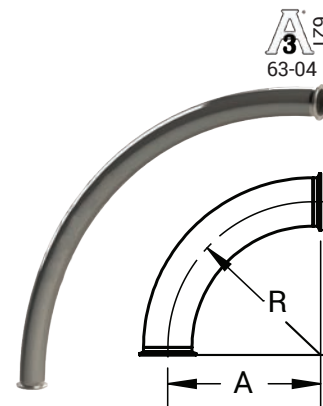
## Clamp Sweep Elbows

**Feature**

- Standard comes without tangents; for tangents or 45° options, call Dixon Sanitary 800.789.1718

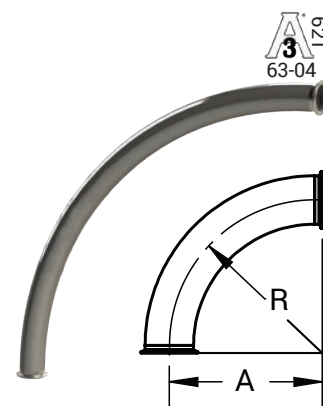
### 12" 90° Clamp Sweep Elbows - B2SXLMP

Tube O.D.	A (in)	R (in)	316L Stainless Steel Part #
1-1/2"	12.00	12.00	B2SXLMP12-R150
2"			B2SXLMP12-R200
2-1/2"			B2SXLMP12-R250
3"			B2SXLMP12-R300
4"			B2SXLMP12-R400



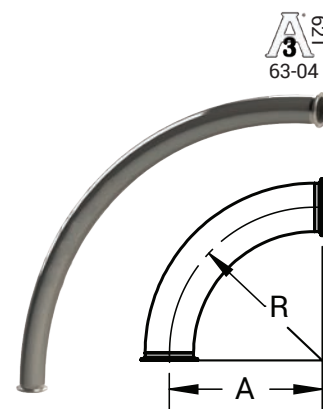
### 18" 90° Clamp Sweep Elbows - B2SXLMP

Tube O.D.	A (in)	R (in)	316L Stainless Steel Part #
1-1/2"	18.00	18.00	B2SXLMP18-R150
2"			B2SXLMP18-R200
2-1/2"			B2SXLMP18-R250
3"			B2SXLMP18-R300
4"			B2SXLMP18-R400



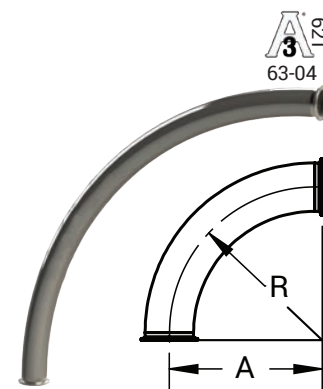
### 24" 90° Clamp Sweep Elbows - B2SXLMP

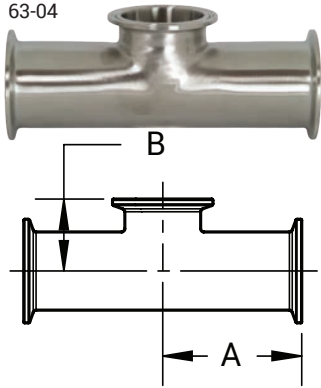
Tube O.D.	A (in)	R (in)	316L Stainless Steel Part #
1-1/2"	24.00	24.00	B2SXLMP24-R150
2"			B2SXLMP24-R200
2-1/2"			B2SXLMP24-R250
3"			B2SXLMP24-R300
4"			B2SXLMP24-R400



### 36" 90° Clamp Sweep Elbows - B2SXLMP

Tube O.D.	A (in)	R (in)	316L Stainless Steel Part #
3"	36.00	36.00	B2SXLMP36-R300
4"			B2SXLMP36-R400
6"			B2SXLMP36-R600

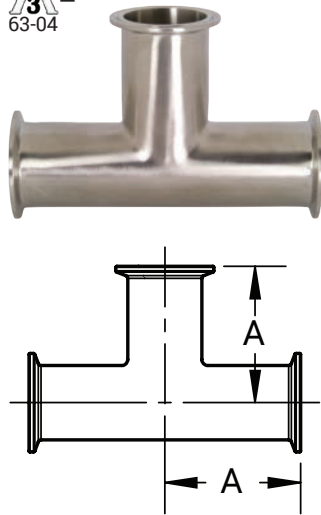




### Clamp Fittings - Tees

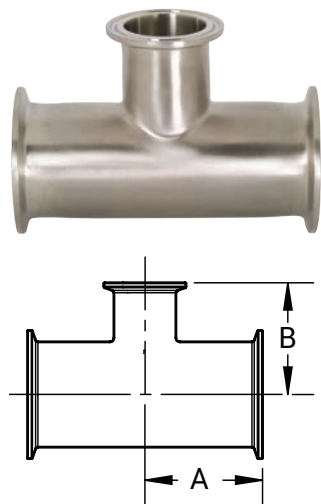
#### Short Outlet Tees - B7MPS

Tube O.D.	A (in)	B (in)	304 Stainless Steel Part #	316L Stainless Steel Part #
1"	2.38	1.13	B7MPS-G100	B7MPS-R100
1-1/2"	2.75	1.38	B7MPS-G150	B7MPS-R150
2"	3.50	1.63	B7MPS-G200	B7MPS-R200
2-1/2"	3.50	1.88	B7MPS-G250	B7MPS-R250
3"	3.75	2.13	B7MPS-G300	B7MPS-R300
4"	4.50	2.75	B7MPS-G400	B7MPS-R400



#### Clamp Tees - B7MP

Tube O.D.	A (in)	304 Stainless Steel Part #	316L Stainless Steel Part #
1/2"	2.38	---	B7MP-R50
3/4"	2.50	---	B7MP-R75
1"	2.38	B7MP-G100	B7MP-R100
1-1/2"	2.75	B7MP-G150	B7MP-R150
2"	3.50	B7MP-G200	B7MP-R200
2-1/2"	3.50	B7MP-G250	B7MP-R250
3"	3.75	B7MP-G300	B7MP-R300
4"	4.50	B7MP-G400	B7MP-R400
6"	6.50	B7MP-G600	B7MP-R600
8"	7.88	B7MP-G800	B7MP-R800
10"	9.38	B7MP-G1000	---
12"	10.88	B7MP-G1200	---



#### Clamp Reducing Tees - B7RMP

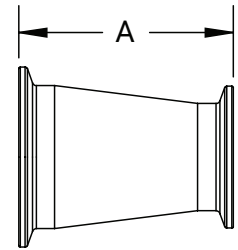
Tube O.D.	A (in)	B (in)	304 Stainless Steel Part #	316L Stainless Steel Part #
3/4" x 1/2"	2.50	2.50	---	B7RMP-R7550
1" x 1/2"	2.63	2.63	---	B7RMP-R10050
1" x 3/4"	2.63	2.63	---	B7RMP-R10075
1-1/2" x 1/2"	2.88	2.88	---	B7RMP-R15050
1-1/2" x 3/4"	2.88	2.88	---	B7RMP-R15075
1-1/2" x 1"	2.16	1.88	B7RMP-G150100	B7RMP-R150100
2" x 1/2"	3.38	3.13	---	B7RMP-R20050
2" x 3/4"	3.38	3.13	---	B7RMP-R20075
2" x 1"	2.56	2.13	B7RMP-G200100	B7RMP-R200100
2" x 1-1/2"	2.56	2.41	B7RMP-G200150	B7RMP-R200150
2-1/2" x 1-1/2"	2.84	2.66	B7RMP-G250150	B7RMP-R250150
2-1/2" x 2"	2.84	2.81	B7RMP-G250200	B7RMP-R250200
3" x 1-1/2"	3.09	2.91	B7RMP-G300150	B7RMP-R300150
3" x 2"	3.09	3.06	B7RMP-G300200	B7RMP-R300200
3" x 2-1/2"	3.09	3.09	B7RMP-G300250	B7RMP-R300250
4" x 1-1/2"	4.06	3.41	B7RMP-G400150	B7RMP-R400150
4" x 2"	4.06	3.56	B7RMP-G400200	B7RMP-R400200
4" x 2-1/2"	4.06	3.59	B7RMP-G400250	B7RMP-R400250
4" x 3"	4.06	3.59	B7RMP-G400300	B7RMP-R400300

## Clamp Reducers

### Clamp Concentric Reducers - B3114MP

621  
A  
3  
63-04

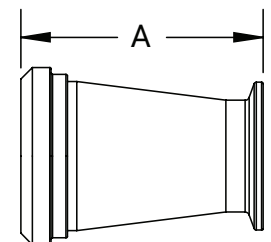
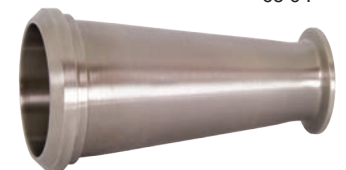
Tube O.D.	A (in)	304 Stainless Steel Part #	316L Stainless Steel Part #
3/4" x 1/2"	2.00	---	B3114MP-R7550
1" x 1/2"	3.00	---	B3114MP-R10050
1" x 3/4"	2.00	---	B3114MP-R10075
1-1/2" x 1/2"	5.00	---	B3114MP-R15050
1-1/2" x 3/4"	4.00	---	B3114MP-R15075
1-1/2" x 1"	3.00	B3114MP-G150100	B3114MP-R150100
2" x 1/2"	7.00	---	B3114MP-R20050
2" x 3/4"	6.00	---	B3114MP-R20075
2" x 1"	5.00	B3114MP-G200100	B3114MP-R200100
2" x 1-1/2"	3.00	B3114MP-G200150	B3114MP-R200150
2-1/2" x 1-1/2"	5.00	B3114MP-G250150	B3114MP-R250150
2-1/2" x 2"	3.00	B3114MP-G250200	B3114MP-R250200
3" x 1"	9.00	B3114MP-G300100	B3114MP-R300100
3" x 1-1/2"	7.00	B3114MP-G300150	B3114MP-R300150
3" x 2"	5.00	B3114MP-G300200	B3114MP-R300200
3" x 2-1/2"	3.00	B3114MP-G300250	B3114MP-R300250
4" x 1-1/2"	11.13	B3114MP-G400150	B3114MP-R400150
4" x 2"	9.13	B3114MP-G400200	B3114MP-R400200
4" x 2-1/2"	7.13	B3114MP-G400250	B3114MP-R400250
4" x 3"	5.13	B3114MP-G400300	B3114MP-R400300
6" x 2"	6.88	B3114MP-G600200	B3114MP-R600200
6" x 3"	6.88	B3114MP-G600300	B3114MP-R600300
6" x 4"	7.00	B3114MP-G600400	B3114MP-R600400
8" x 4"	7.50	B3114MP-G800400	B3114MP-R800400
8" x 6"	7.75	B3114MP-G800600	B3114MP-R800600



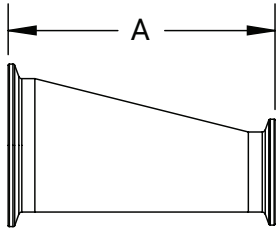
### Plain Bevel Seat x Clamp Concentric Reducers - B14C31

621  
A  
3  
63-04

Tube O.D.	A (in)	304 Stainless Steel Part #
1-1/2" x 1"	3.22	B14C31-G150100 <sup>1</sup>
2" x 1-1/2"	3.25	B14C31-G200150
2-1/2" x 1-1/2"	5.38	B14C31-G250150
2-1/2" x 2"	3.38	B14C31-G250200
3" x 1-1/2"	7.41	B14C31-G300150
3" x 2"	5.41	B14C31-G300200
3" x 2-1/2"	3.41	B14C31-G300250



<sup>1</sup> Comes with 13H-G150 hex nut



### Clamp Reducers

#### Clamp Eccentric Reducers - B3214MP

Tube O.D.	A (in)	304 Stainless Steel Part #	316L Stainless Steel Part #
3/4" x 1/2"	2.00	---	B3214MP-R7550
1" x 1/2"	3.00	---	B3214MP-R10050
1" x 3/4"	2.00	---	B3214MP-R10075
1-1/2" x 1/2"	5.00	---	B3214MP-R15050
1-1/2" x 3/4"	4.00	---	B3214MP-R15075
1-1/2" x 1"	3.00	B3214MP-G150100	B3214MP-R150100
2" x 1/2"	7.00	---	B3214MP-R20050
2" X 3/4"	6.00	---	B3214MP-R20075
2" x 1"	5.00	B3214MP-G200100	B3214MP-R200100
2" x 1-1/2"	3.00	B3214MP-G200150	B3214MP-R200150
2-1/2" x 1-1/2"	5.00	B3214MP-G250150	B3214MP-R250150
2-1/2" x 2"	3.00	B3214MP-G250200	B3214MP-R250200
3" x 1"	9.00	B3214MP-G300100	B3214MP-R300100
3" x 1-1/2"	7.00	B3214MP-G300150	B3214MP-R300150
3" x 2"	5.00	B3214MP-G300200	B3214MP-R300200
3" x 2-1/2"	3.00	B3214MP-G300250	B3214MP-R300250
4" x 1-1/2"	11.13	B3214MP-G400150	B3214MP-R400150
4" x 2"	9.13	B3214MP-G400200	B3214MP-R400200
4" x 2-1/2"	7.13	B3214MP-G400250	B3214MP-R400250
4" x 3"	5.13	B3214MP-G400300	B3214MP-R400300
6" x 3"	6.88	B3214MP-G600300	B3214MP-R600300
6" x 4"	7.00	B3214MP-G600400	B3214MP-R600400
8" x 4"	7.50	B3214MP-G800400	B3214MP-R800400
8" x 6"	7.75	B3214MP-G800600	B3214MP-R800600

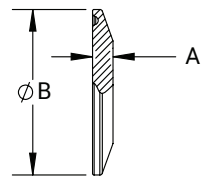


## Clamp Fittings - Caps

### Solid End Caps - 16AMP

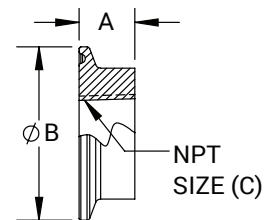
621  
A  
63-04

Tube O.D.	A (in)	B (in)	304 Stainless Steel Part #	316L Stainless Steel Part #
1/2" - 3/4"	.25	.99	16AMP-G50-75	16AMP-R50-75
1" - 1-1/2"	.25	1.98	16AMP-G100-150	16AMP-R100-150
2"	.25	2.52	16AMP-G200	16AMP-R200
2-1/2"	.25	3.05	16AMP-G250	16AMP-R250
3"	.25	3.58	16AMP-G300	16AMP-R300
4"	.31	4.68	16AMP-G400	16AMP-R400
5"	.38	5.69	16AMP-G500	16AMP-R500
6"	.44	6.56	16AMP-G600	16AMP-R600
8"	.44	8.60	16AMP-G800	16AMP-R800
10"	.44	1.57	16AMP-G1000	16AMP-R1000
12"	.44	12.57	16AMP-G1200	16AMP-R1200



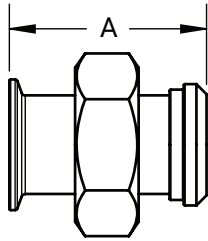
### Thermometer Caps - B23BMP

Tube O.D.	A (in)	B (in)	C <sup>1</sup> (in)	304 Stainless Steel Part #	316L Stainless Steel Part #
1/2"	.50	.99	1/4"	--	B23BMP-R5014
3/4"	.50	.99	1/4"	--	B23BMP-R7514
1"	.63	1.98	3/4"	B23BMP-G100	B23BMP-R100
1-1/2"	.63	1.98	1/4"	--	B23BMP-R15025
	.63	1.98	1/2"	B23BMP-G15050	B23BMP-R15050
	.63	1.98	3/4"	B23BMP-G150	B23BMP-R150
2"	.63	2.52	1/4"	--	B23BMP-R20025
	.63	2.52	1/2"	B23BMP-G20050	B23BMP-R20050
	.63	2.52	3/4"	B23BMP-G200	B23BMP-R200
	.63	2.52	1"	--	B23BMP-R200100
2-1/2"	.63	2.52	1-1/2"	--	B23BMP-R200150
	.63	3.05	3/4"	B23BMP-G250	B23BMP-R250
	.63	3.58	1/4"	B23BMP-G30025	B23BMP-R30025
3"	.63	3.58	1/2"	B23BMP-G30050	B23BMP-R30050
	.63	3.58	3/4"	B23BMP-G300	B23BMP-R300
	.63	3.58	1"	B23BMP-G300100	B23BMP-R300100
	.63	3.58	2"	B23BMP-G300200	B23BMP-R300200
4"	.63	4.68	3/4"	B23BMP-G400	B23BMP-R400



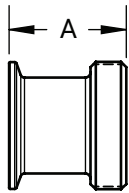
<sup>1</sup>Other NPT tap sizes available; call Dixon Sanitary at 800.789.1718.

Clamp Adapters



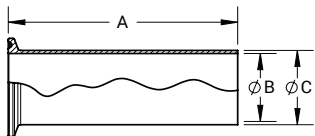
Clamp x Plain Bevel Seat Adapters with Hex Nut - 17MP-14

Tube O.D.	A (in)	304 Stainless Steel Part #
1"	3.00	17MP-14-G100
1-1/2"	3.00	17MP-14-G150
2"	3.00	17MP-14-G200
2-1/2"	3.50	17MP-14-G250
3"	3.75	17MP-14-G300
4"	4.00	17MP-14-G400



Clamp x Threaded Bevel Seat Adapters - 17MP-15

Tube O.D.	A (in)	304 Stainless Steel Part #
1"	1.84	17MP-15-G100
1-1/2"	1.84	17MP-15-G150
2"	1.88	17MP-15-G200
2-1/2"	2.00	17MP-15-G250
3"	2.03	17MP-15-G300
4"	2.16	17MP-15-G400



Tygon® Hose Adapters - 14MPHT

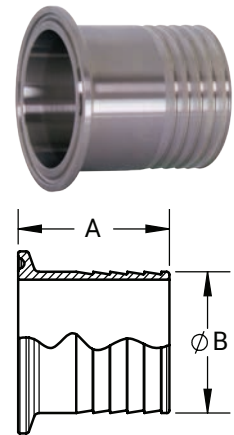
Tube O.D.	A (in)	B (in)	C (in)	316L Stainless Steel Part #
1/2"	4.00	.37	.50	14MPHT-R50
3/4"	4.00	.62	.75	14MPHT-R75
1"	4.50	.87	1.00	14MPHT-R100
1-1/2"	4.50	1.37	1.50	14MPHT-R150
2"	4.50	1.87	2.00	14MPHT-R200
2-1/2"	4.50	2.37	2.50	14MPHT-R250
3"	4.50	2.87	3.00	14MPHT-R300
4"	4.63	3.83	4.00	14MPHT-R400
6"	6.00	5.88	6.00	14MPHT-R600

1. Make sure the I.D. of the hose is slightly bigger than the O.D. of the fitting.
2. Insert 14MPHT fitting into the I.D. of the hose, so that the hose is 1/2" away from the clamp connection.
3. Use a band clamp to secure the hose to the adapter.

NOTE: 3A certification is for fitting alone. The fitting attached to a hose does not retain the 3A certification nor does it make the hose assembly 3A certified.

### Clamp Fittings - Adapters Rubber Hose Adapters - 14MPHR

Tube O.D.	Hose Size	A (in)	B (in)	304 Stainless Steel Part #	316L Stainless Steel Part #
1/2"	1/8"	1.25	.15	--	14MPHR-R50125
	1/4"	1.50	.29	--	14MPHR-R5025
	3/8"	1.50	.42	--	14MPHR-R50375
	1/2"	1.50	.54	--	14MPHR-R50
	3/4"	1.50	.79	--	14MPHR-R5075
3/4"	1/8"	1.50	.15	--	14MPHR-R75125
	1/4"	1.50	.29	--	14MPHR-R7525
	3/8"	1.50	.42	--	14MPHR-R75375
	1/2"	1.50	.54	--	14MPHR-R7550
	3/4"	1.50	.79	--	14MPHR-R75
1"	5/8"	1.50	.67	--	14MPHR-R75625
	1/4"	1.69	.29	--	14MPHR-R10025
	3/8"	1.50	.42	14MPHR-G100375	14MPHR-R100375
	1/2"	1.50	.54	14MPHR-G10050	14MPHR-R10050
	3/4"	1.69	.79	14MPHR-G10075	14MPHR-R10075
1-1/2"	1"	1.69	1.04	14MPHR-R100	14MPHR-R100
	1/8"	1.50	.17	14MPHR-G150125	14MPHR-R150125
	1/4"	1.50	.29	--	14MPHR-R15025
	3/8"	1.50	.42	14MPHR-G150375	14MPHR-R150375
	1/2"	1.50	.54	14MPHR-G15050	14MPHR-R15050
	5/8"	1.50	.79	14MPHR-G150625	14MPHR-R150625
	3/4"	1.50	.67	14MPHR-G15075	14MPHR-R15075
	1"	1.69	1.04	14MPHR-G150100	14MPHR-R150100
2"	1-1/4"	1.69	1.29	--	14MPHR-R150-125
	1-1/2"	1.69	1.54	14MPHR-G150	14MPHR-R150
	1/8"	2.31	.17	14MPHR-G200125	14MPHR-R200125
	1/2"	2.31	.54	--	14MPHR-R20050
	5/8"	2.31	.67	14MPHR-G200625	--
	3/4"	2.31	.79	14MPHR-G20075	14MPHR-R20075
2-1/2"	1"	2.31	1.04	14MPHR-G200100	--
	1-1/2"	2.31	1.54	14MPHR-G200150	14MPHR-R200150
	2"	2.31	2.04	14MPHR-G200	14MPHR-R200
	1"	2.34	1.04	14MPHR-G250100	--
	2-1/2"	2.34	2.54	14MPHR-G250	14MPHR-R250
3"	3"	3.09	3.04	14MPHR-G300	14MPHR-R300
4"	3"	3.41	3.04	--	14MPHR-R400300
	4"	3.41	4.04	14MPHR-G400	14MPHR-R400
6"	6"	3.41	6.04	14MPHR-G600	14MPHR-R600
8"	8"	3.41	8.04	14MPHR-G800	14MPHR-R800
10"	10"	3.40	1.04	14MPHR-G1000	--



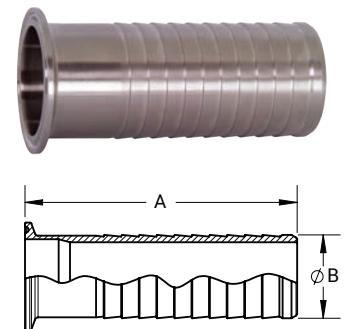
1. Make sure the I.D. of the hose is slightly bigger than the O.D. of the fitting.
2. Insert 14MPHR fitting into the I.D. of the hose, so that the hose is 1/2" away from the clamp connection.
3. Use a band clamp to secure the hose to the adapter.

### Brewery Hose Barb Adapters - 14MPHRL

#### Application

- Suitable for use with band clamps

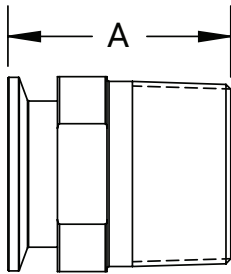
Size	A (in)	B (in)	304 Stainless Steel Part #
1/2"	3.35	.53	14MPHRL50
3/4"	3.35	.81	14MPHRL75
1"	3.50	1.05	14MPHRL100
1-1/2"	5.00	1.55	14MPHRL150
2"	5.00	2.05	14MPHRL200
2-1/2"	5.50	2.55	14MPHRL250
3"	5.50	3.05	14MPHRL300
4"	5.50	4.05	14MPHRL400
6"	5.50	6.05	14MPHRL600



NOTE: Use of PVC tubing requires special techniques to prevent leakage. All assembly work must be done with heated tube. Cold durometer is 90 as opposed to rubber hose at 65 to 70 durometer. Banding buckles must be at 180° from one another.



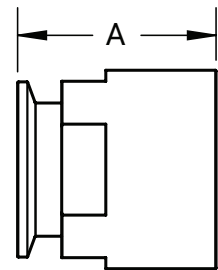
**Clamp Fittings - Adapters**  
**Male NPT Adapters - 21MP**



Tube O.D.	NPT Size	A (in)	304 Stainless Steel Part #	316L Stainless Steel Part #
1/2"	1/8"	2.00	--	21MP-R50125
	1/4"	2.00	--	21MP-R5025
	3/8"	2.00	--	21MP-R50375
	1/2"	1.63	--	21MP-R50
	3/4"	2.00	--	21MP-R5075
3/4"	1/4"	2.00	--	21MP-R7525
	3/8"	2.00	--	21MP-R75375
	1/2"	2.00	--	21MP-R7550
	3/4"	1.79	--	21MP-R75
1"	1"	2.25	--	21MP-R75100
	1/8"	2.19	21MP-G100-125	21MP-R100-125
	1/4"	2.16	21MP-G10025	21MP-R10025
	3/8"	2.16	21MP-G100375	21MP-R100375
	1/2"	2.19	21MP-G10050	21MP-R10050
	3/4"	2.19	21MP-G10075	21MP-R10075
	1"	2.25	21MP-G100	21MP-R100
	1-1/4"	2.44	21MP-G100125	21MP-R100125
	1-1/2"	2.44	21MP-G100150	21MP-R100150
	2"	2.63	21MP-G100200	21MP-R100200
1-1/2"	1/4"	2.16	21MP-G15025	21MP-R15025
	3/8"	2.16	21MP-G150375	21MP-R150375
	1/2"	2.19	21MP-G15050	21MP-R15050
	3/4"	2.19	21MP-G15075	21MP-R15075
	1"	2.44	21MP-G150100	21MP-R150100
	1-1/4"	2.44	21MP-G150125	21MP-R150125
	1-1/2"	2.25	21MP-G150	21MP-R150
	2"	2.63	21MP-G150200	21MP-R150200
	2-1/2"	3.28	21MP-G150250	21MP-R150250
2"	1/4"	2.47	--	21MP-R20025
	1/2"	2.19	21MP-G20050	21MP-R20050
	3/4"	2.19	21MP-G20075	21MP-R20075
	1"	2.47	21MP-G200100	21MP-R200100
	1-1/4"	2.47	21MP-G200125	21MP-R200125
	1-1/2"	2.63	21MP-G200150	21MP-R200150
	2"	2.64	21MP-G200	21MP-R200
	2-1/2"	3.13	21MP-G200250	21MP-R200250
	3"	3.50	21MP-G200300	21MP-R200300
2-1/2"	4"	3.50	21MP-G200400	21MP-R200400
	1/2"	2.78	21MP-G25050	21MP-R25050
	1"	2.78	21MP-G250100	21MP-R250100
	1-1/2"	2.78	21MP-G250150	21MP-R250150
	2"	2.78	21MP-G250200	21MP-R250200
	2-1/2"	2.88	21MP-G250	21MP-R250
3"	3"	3.69	21MP-G250300	21MP-R250300
	1"	3.00	21MP-G300100	21MP-R300100
	1-1/2"	3.00	21MP-G300150	21MP-R300150
	2"	3.00	21MP-G300200	21MP-R300200
	2-1/2"	3.00	21MP-G300250	21MP-R300250
	3"	3.07	21MP-G300	21MP-R300
4"	4"	3.50	21MP-G300400	21MP-R300400
	3"	3.81	21MP-G400300	21MP-R400300
6"	4"	3.16	21MP-G400	21MP-R400
	6"	4.50	21MP-G600	21MP-R600
8"	8"	3.75	21MP-G800	--

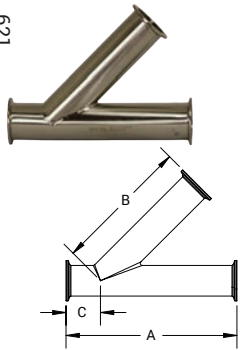
**Clamp Fittings - Adapters**  
**Female NPT Adapters - 22MP**

Tube O.D.	NPT Size	A (in)	304 Stainless Steel Part #	316L Stainless Steel Part #
1/2"	1/8"	1.25	--	22MP-R50-125
	1/4"	1.50	--	22MP-R5025
	3/8"	1.50	--	22MP-R50375
	1/2"	1.50	--	22MP-R50
	3/4"	1.63	--	22MP-R5075
	1"	1.63	--	22MP-R50100
	1-1/2"	2.25	--	22MP-R50150
3/4"	2"	2.25	--	22MP-R50200
	1/8"	1.25	--	22MP-R75125
	1/4"	1.50	--	22MP-R7525
	3/8"	1.50	--	22MP-R75375
	1/2"	1.50	--	22MP-R7550
	3/4"	1.63	--	22MP-R75
	1"	1.63	--	22MP-R75100
1"	1/8"	1.63	22MP-G100-125	22MP-R100-125
	1/4"	1.63	22MP-G10025	22MP-R10025
	3/8"	1.63	22MP-G100375	22MP-R100375
	1/2"	1.63	22MP-G10050	22MP-R10050
	3/4"	1.63	22MP-G10075	22MP-R10075
	1"	1.63	22MP-G100	22MP-R100
	1-1/4"	1.63	22MP-G100125	22MP-R100125
	1-1/2"	1.63	22MP-G100150	22MP-R100150
	2"	1.63	22MP-G100200	22MP-R100200
1-1/2"	1/8"	1.63	22MP-G150125	22MP-R150-125
	1/4"	1.63	22MP-G15025	22MP-R15025
	3/8"	1.63	22MP-G150375	22MP-R150375
	1/2"	1.63	22MP-G15050	22MP-R15050
	3/4"	1.63	22MP-G15075	22MP-R15075
	1"	1.63	22MP-G150100	22MP-R150100
	1-1/4"	2.25	22MP-G150125	22MP-R150125
	1-1/2"	2.25	22MP-G150	22MP-R150
	2"	2.25	22MP-G150200	22MP-R150200
	2-1/2"	2.50	22MP-G150250	--
2"	3"	2.50	--	22MP-R150300
	1/4"	1.69	22MP-G20025	22MP-R20025
	1/2"	1.69	22MP-G20050	22MP-R20050
	3/4"	1.69	22MP-G20075	22MP-R20075
	1"	1.69	22MP-G200100	22MP-R200100
	1-1/4"	1.69	22MP-G200125	22MP-R200125
	1-1/2"	1.66	22MP-G200150	22MP-R200150
	2"	2.34	22MP-G200	22MP-R200
	2-1/2"	2.41	22MP-G200250	22MP-R200250
	3"	2.41	22MP-G200300	22MP-R200300
2-1/2"	4"	2.91	22MP-G200400	--
	3/4"	1.31	22MP-G25075	22MP-R25075
	1"	1.31	22MP-G250100	22MP-R250100
	1-1/2"	1.66	22MP-G250150	22MP-R250150
	2"	1.72	22MP-G250200	22MP-R250200
	2-1/2"	2.09	22MP-G250	22MP-R250
3"	3"	2.19	22MP-G250300	22MP-R250300
	1"	2.19	22MP-G300100	22MP-R300100
	1-1/2"	2.19	22MP-G300150	22MP-R300150
	2"	2.19	22MP-G300200	22MP-R300200
	2-1/2"	2.19	22MP-G300250	--
4"	3"	2.19	22MP-G300	22MP-R300
	1-1/2"	2.19	22MP-G400150	22MP-R400150
	2"	2.19	22MP-G400200	22MP-R400200
	2-1/2"	2.19	22MP-G400250	22MP-R400250
	3"	2.19	22MP-G400300	22MP-R400300
	4"	2.63	22MP-G400	22MP-R400
6"	6"	3.25	22MP-G400600	22MP-R400600



Laterals, Wyes, Crosses, Bends, and Flanges

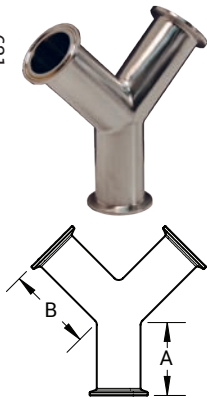
621  
3  
63-04



Clamp Laterals - B28AMP

Tube O.D.	A (in)	B (in)	C (in)	316L Stainless Steel Part #
1"	7.00	5.50	1.50	B28AMP-R100
1-1/2"	8.38	6.69	1.69	B28AMP-R150
2"	9.75	7.63	2.13	B28AMP-R200
2-1/2"	11.00	9.00	2.00	B28AMP-R250
3"	11.75	9.38	2.38	B28AMP-R300
4"	14.06	11.31	2.64	B28AMP-R400
6"	19.75	15.38	4.38	B28AMP-R600

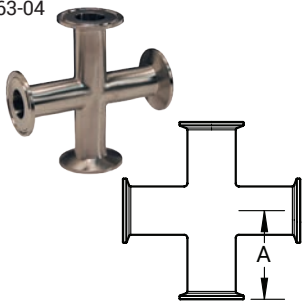
621  
3  
63-04



Clamp True Wyes - B28BMP

Tube O.D.	A (in)	B (in)	316L Stainless Steel Part #
1"	2.50	2.94	B28BMP-R100
1-1/2"	2.50	2.94	B28BMP-R150
2"	3.13	3.75	B28BMP-R200
2-1/2"	3.87	4.63	B28BMP-R250
3"	4.50	5.38	B28BMP-R300
4"	6.00	6.00	B28BMP-R400
6"	3.12	7.62	B28BMP-R600
8"	3.70	8.20	B28BMP-R800

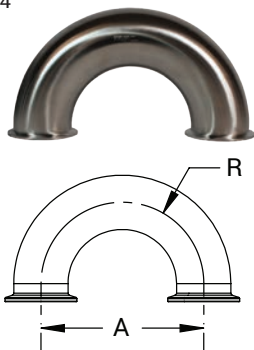
621  
3  
63-04



Clamp Crosses - B9MP

Tube O.D.	A (in)	304 Stainless Steel Part #	316L Stainless Steel Part #
1"	2.38	B9MP-G100	B9MP-R100
1-1/2"	2.75	B9MP-G150	B9MP-R150
2"	3.50	B9MP-G200	B9MP-R200
2-1/2"	3.50	B9MP-G250	B9MP-R250
3"	3.75	B9MP-G300	B9MP-R300
4"	4.50	B9MP-G400	B9MP-R400

621  
3  
63-04



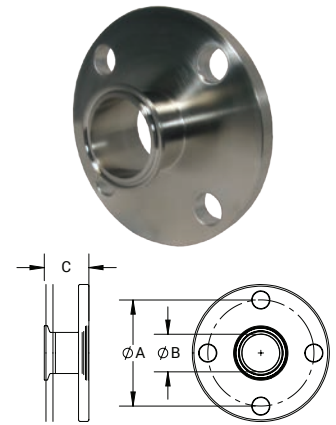
Clamp 180° Return Bends - B2WUMP

Tube O.D.	A (in)	R (in)	316L Stainless Steel Part #
1"	3.00	1.50	B2WUMP-R100
1-1/2"	4.50	2.25	B2WUMP-R150
2"	6.00	3.00	B2WUMP-R200
2-1/2"	7.50	3.75	B2WUMP-R250
3"	9.00	4.50	B2WUMP-R300
4"	12.00	6.00	B2WUMP-R400

**Laterals, Wyes, Crosses, Bends, and Flanges**

**Clamp x 150# Flange Adapters - B38MP**

Tube O.D.	A (in)	B (in)	C (in)	Number & Diameter Bolt Holes	316L Stainless Steel Part #
1"	3.13	.87	1.63	4/.625	B38MP-R100
1-1/2"	3.88	1.37	1.63	4/.625	B38MP-R150
2"	4.75	1.87	1.75	4/.750	B38MP-R200
2-1/2"	5.50	2.37	1.75	4/.750	B38MP-R250
3"	6.00	2.87	1.75	4/.750	B38MP-R300
4"	7.50	3.83	1.75	8/.750	B38MP-R400
6"	9.50	5.78	2.13	8/.750	B38MP-R600



**Clamp End Protection Covers - BCC**

**Application**

- Use these covers to protect all clamp ends on fittings, valves, filters, and pumps

Size	Vinyl Plastic Blue Part #	Vinyl Plastic Red Part #
1/2"	BCC-050	BCCR-050
3/4"	BCC-075	BCCR-075
1"	BCC-100	BCCR-100
1-1/2"	BCC-150	BCCR-150
2"	BCC-200	BCCR-200
2-1/2"	BCC-250	BCCR-250
3"	BCC-300	BCCR-300
4"	BCC-400	BCCR-400
6"	BCC-600	BCCR-600
8"	BCC-800	--





## Sanitary Spools

Sanitary spools are pre-fabricated lengths of stainless steel tubing with sanitary fittings welded to the ends.

### Applications

- Sanitary process lines can be built without having to use on-site fabrication or welding
- OEM skid packages that have predetermined spool specifications: Tube O.D. and length, end connections, and finish

### Sizes

- 1/2" - 8" tube O.D.

### Features

- Clamp connection, standard
- Will fabricate to customer drawings
- Customer part number/logo can be laser etched on each spool

### Materials

- 304 or 316L stainless steel
- Surface finish: Internal product contact surface finish  $\leq 32\text{Ra}$



Clamp End

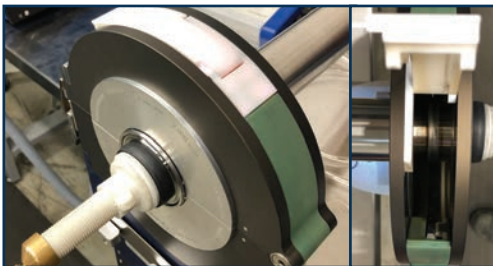


Weld End

Size	Material	12" Part #	18" Part #	24" Part #	36" Part #	48" Part #
1-1/2"	304 stainless steel	S15CC012.000GC	S15CC018.000GC	S15CC024.000GC	S15CC036.000GC	S15CC048.000GC
2"		S20CC012.000GC	S20CC018.000GC	S20CC024.000GC	S20CC036.000GC	S20CC048.000GC
2-1/2"		S25CC012.000GC	S25CC018.000GC	S25CC024.000GC	S25CC036.000GC	S25CC048.000GC
3"		S30CC012.000GC	S30CC018.000GC	S30CC024.000GC	S30CC036.000GC	S30CC048.000GC
4"		S40CC012.000GC	S40CC018.000GC	S40CC024.000GC	S40CC036.000GC	S40CC048.000GC
1-1/2"	316L stainless steel	S15CC012.000RC	S15CC018.000RC	S15CC024.000RC	S15CC036.000RC	S15CC048.000RC
2"		S20CC012.000RC	S20CC018.000RC	S20CC024.000RC	S20CC036.000RC	S20CC048.000RC
2-1/2"		S25CC012.000RC	S25CC018.000RC	S25CC024.000RC	S25CC036.000RC	S25CC048.000RC
3"		S30CC012.000RC	S30CC018.000RC	S30CC024.000RC	S30CC036.000RC	S30CC048.000RC
4"		S40CC012.000RC	S40CC018.000RC	S40CC024.000RC	S40CC036.000RC	S40CC048.000RC

For additional sizes and configurations, contact Dixon Sanitary 800.789.1718.

### Orbital Welding



### Manufacturing Process

### Polishing



### Laser Etching





### Sanitary Spool Part Number Key

Dixon Spool Fabrication Part Number Key		Series	Size	Connections		Overall Length					Material	Surface Finish	
		S	10	C	B	1	0	0	.	1	2	5	R
<b>Series</b>	<b>Code</b>												
Spool	S	←											
<b>Size</b>	<b>Code</b>												
1/2"	50												
3/4"	75												
1"	10	←											
1-1/2"	15												
2"	20												
2-1/2"	25												
3"	30												
4"	40												
<b>Connections</b>	<b>Code</b>												
Clamp	C			←									
Weld	B				←								
Female I-line	F												
Male I-line	M												
Threaded bevel	T												
Plain bevel	P												
Q-line	Q												
John Perry plain	J												
John Perry threaded	H												
Female NPT <sup>1</sup>	1												
Male NPT <sup>1</sup>	2												
<b>Overall Length</b>	<b>Code</b>												
Hundreds place (given in inches)	0-9					←							
Tens place (given in inches)	0-9						←						
Ones place (given in inches)	0-9							←					
Decimal divider	.								←				
Tenths place (given in inches)	0-9									←			
Hundredths place (given in inches)	0-9										←		
Thousandths place (given in inches)	0-9											←	
<b>Material</b>	<b>Code</b>												
304 stainless steel	G												
316L stainless steel	R											←	
<b>Surface Finish</b>	<b>Code</b>												
#7 polished 32Ra ID/OD	C												←
SF1 mechanically polished 20Ra I.D. and 32Ra O.D.	F												
SF2 mechanically polished 25Ra I.D. and 32Ra O.D.	G												
SF3 mechanically polished 30Ra I.D. and 32Ra O.D.	H												
SF4 electropolished 15Ra I.D. and mechanically polished 32Ra O.D.	J												
SF5 electropolished 20Ra ID and mechanically polished 32Ra O.D.	K												
SF6 electropolished 25Ra ID and mechanically polished 32Ra O.D.	L												

<sup>1</sup> These end connections do not meet 3A standards.



## Dixon Sanitary Weld Fittings

### A Complete Weld Connection

#### Size

- 1/2" - 12" O.D. tube

#### Materials

- G = 304 stainless steel
- R = 316L stainless steel
- Other alloys are available

#### Features

- 3A sanitary finish I.D. and O.D.
- #3, #5, and electropolish finishes are available

#### Primary Markets

- Found in the food processing, beverage, dairy, personal care, pet products, wineries and breweries, oil extraction, and industrial markets



← Weld end



← Weld end

### Dimensions of stainless steel tube

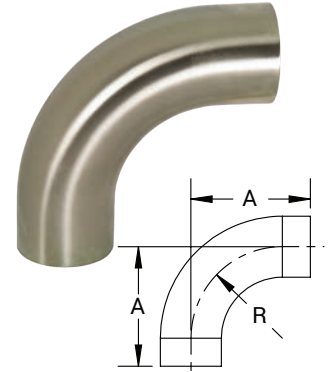
Tube O.D.	Nominal Wall Thickness (in)
1/2"	.065
3/4"	.065
1"	.065
1-1/2"	.065
2"	.065
2-1/2"	.065
3"	.065
4"	.083
6"	.109
8"	.109
10"	.120
12"	.120

### Weld Elbows

#### 90° Weld Elbows with Tangents - B2S



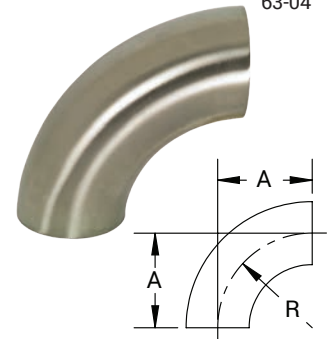
Tube O.D.	A (in)	R (in)	Nominal Wall (in)	304 Stainless Steel Part #	316L Stainless Steel Part #
1/2"	3.00	1.13	.065	B2S-G50P	B2S-R50P
3/4"	3.00	1.13	.065	B2S-G75P	B2S-R75P
1"	2.06	1.50	.065	B2S-G100P	B2S-R100P
1-1/2"	2.94	2.25	.065	B2S-G150P	B2S-R150P
2"	4.06	3.00	.065	B2S-G200P	B2S-R200P
2-1/2"	5.19	3.75	.065	B2S-G250P	B2S-R250P
3"	6.31	4.50	.065	B2S-G300P	B2S-R300P
4"	8.31	6.00	.083	B2S-G400P	B2S-R400P
6"	12.46	9.00	.109	B2S-G600P	B2S-R600P



#### 90° Weld Elbows - B2WCL



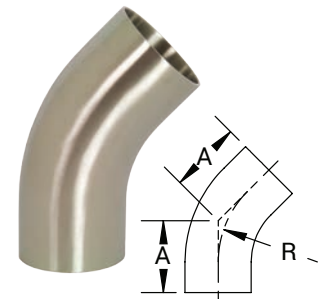
Tube O.D.	A (in)	R (in)	Nominal Wall (in)	304 Stainless Steel Part #	316L Stainless Steel Part #
1/2"	1.13	1.13	.065	---	B2WCL-R50P
3/4"	1.13	1.13	.065	---	B2WCL-R75P
1"	1.50	1.50	.065	B2WCL-G100P	B2WCL-R100P
1-1/2"	2.25	2.25	.065	B2WCL-G150P	B2WCL-R150P
2"	3.00	3.00	.065	B2WCL-G200P	B2WCL-R200P
2-1/2"	3.75	3.75	.065	B2WCL-G250P	B2WCL-R250P
3"	4.50	4.50	.065	B2WCL-G300P	B2WCL-R300P
4"	6.00	6.00	.083	B2WCL-G400P	B2WCL-R400P
6"	9.00	9.00	.109	B2WCL-G600P	B2WCL-R600P
8"	12.00	12.00	.109	B2WCL-G800P	B2WCL-R800P
10"	15.00	15.00	.120	B2WCL-G1000P	B2WCL-R1000P
12"	18.00	18.00	.120	---	B2WCL-R1200P



#### 45° Weld Elbows with Tangents - B2KS



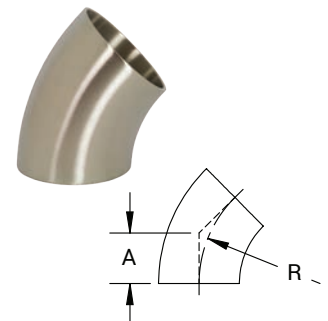
Tube O.D.	A (in)	R (in)	Nominal Wall (in)	304 Stainless Steel Part #	316L Stainless Steel Part #
1/2"	2.25	1.13	.065	---	B2KS-R50P
3/4"	2.25	1.13	.065	---	B2KS-R75P
1"	1.19	1.50	.065	B2KS-G100P	B2KS-R100P
1-1/2"	1.63	2.25	.065	B2KS-G150P	B2KS-R150P
2"	2.31	3.00	.065	B2KS-G200P	B2KS-R200P
2-1/2"	3.00	3.75	.065	B2KS-G250P	B2KS-R250P
3"	3.69	4.50	.065	B2KS-G300P	B2KS-R300P
4"	4.81	6.00	.083	B2KS-G400P	B2KS-R400P



#### 45° Weld Elbows - B2WK

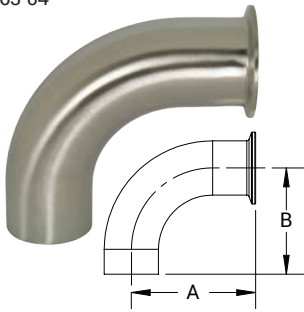


Tube O.D.	A (in)	R (in)	Nominal Wall (in)	304 Stainless Steel Part #	316L Stainless Steel Part #
1/2"	0.47	1.13	.065	---	B2WK-R50P
3/4"	0.47	1.13	.065	---	B2WK-R75P
1"	0.62	1.50	.065	B2WK-G100P	B2WK-R100P
1-1/2"	0.94	2.25	.065	B2WK-G150P	B2WK-R150P
2"	1.25	3.00	.065	B2WK-G200P	B2WK-R200P
2-1/2"	1.56	3.75	.065	B2WK-G250P	B2WK-R250P
3"	1.87	4.50	.065	B2WK-G300P	B2WK-R300P
4"	2.50	6.00	.083	B2WK-G400P	B2WK-R400P
6"	3.75	9.00	.109	B2WK-G600P	B2WK-R600P
8"	4.97	12.00	.109	B2WK-G800P	B2WK-R800P
10"	6.25	15.00	.120	B2WK-G1000P	B2WK-R1000P
12"	7.50	18.00	.120	B2WK-G1200P	B2WK-R1200P



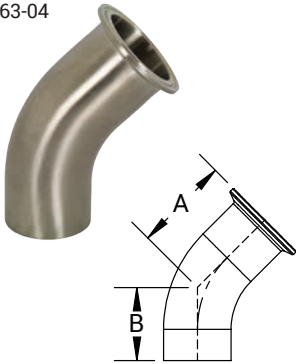
**Weld Elbows**

**90° Clamp x Weld Elbows - B2CM**



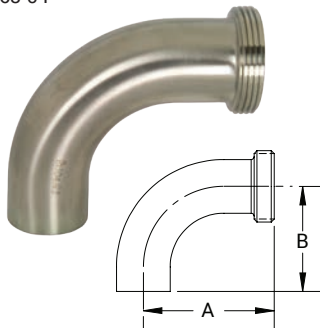
Tube O.D.	A (in)	B (in)	Nominal Wall (in)	304 Stainless Steel Part #	316L Stainless Steel Part #
1/2"	3.50	3.00	.065	--	B2CM-R50
3/4"	3.50	3.00	.065	--	B2CM-R75
1"	2.56	2.06	.065	B2CM-G100	B2CM-R100
1-1/2"	3.44	2.94	.065	B2CM-G150	B2CM-R150
2"	4.56	4.06	.065	B2CM-G200	B2CM-R200
2-1/2"	5.69	5.19	.065	B2CM-G250	B2CM-R250
3"	6.81	6.31	.065	B2CM-G300	B2CM-R300
4"	8.94	8.31	.083	B2CM-G400	B2CM-R400
6"	13.34	12.46	.109	--	B2CM-R600
8"	12.88	12.00	.109	--	B2CM-R800

**45° Clamp x Weld Elbows - B2KM**



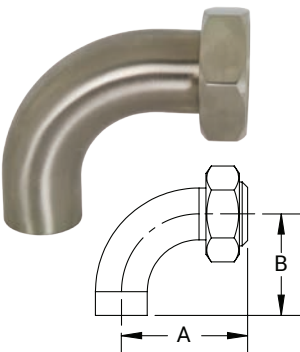
Tube O.D.	A (in)	B (in)	Nominal Wall (in)	304 Stainless Steel Part #	316L Stainless Steel Part #
1"	1.69	1.19	.065	B2KM-G100	B2KM-R100
1-1/2"	2.13	1.63	.065	B2KM-G150	B2KM-R150
2"	2.81	2.31	.065	B2KM-G200	B2KM-R200
2-1/2"	3.50	3.00	.065	B2KM-G250	B2KM-R250
3"	4.19	3.69	.065	B2KM-G300	B2KM-R300
4"	5.44	4.81	.083	B2KM-G400	B2KM-R400

**90° Threaded Bevel Seat x Weld Elbows - B2T**



Tube O.D.	A (in)	B (in)	Nominal Wall (in)	304 Stainless Steel Part #
1"	2.78	2.06	.065	B2T-G100
1-1/2"	3.66	2.94	.065	B2T-G150
2"	4.81	4.06	.065	B2T-G200
2-1/2"	6.06	5.19	.065	B2T-G250
3"	7.22	6.31	.065	B2T-G300
4"	9.34	8.31	.083	B2T-G400

**90° Plain Bevel Seat with Hex Nut x Weld Elbows - B2FP**



Tube O.D.	A (in)	B (in)	Nominal Wall (in)	304 Stainless Steel Part #
1"	2.78	2.06	.065	B2FP-G100
1-1/2"	3.66	2.94	.065	B2FP-G150
2"	4.81	4.06	.065	B2FP-G200
2-1/2"	6.06	5.19	.065	B2FP-G250
3"	7.22	6.31	.065	B2FP-G300
4"	9.34	8.31	.083	B2FP-G400

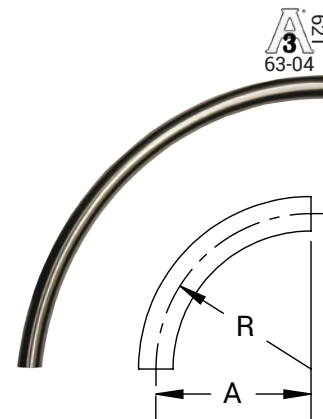
### Weld Sweep Elbows

**Feature**

- Standard comes without tangents; for tangents or 45° options, call Dixon Sanitary 800.789.1718

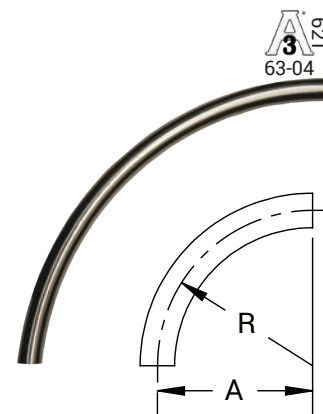
#### 12" 90° Weld Sweep Elbows - B2SXL

Tube O.D.	A (in)	R (in)	Nominal Wall (in)	316L Stainless Steel Part #
1"	12.00	12.00	.065	B2SXL12-R100
1-1/2"	12.00	12.00	.065	B2SXL12-R150
2"	12.00	12.00	.065	B2SXL12-R200
2-1/2"	12.00	12.00	.065	B2SXL12-R250
3"	12.00	12.00	.065	B2SXL12-R300
4"	12.00	12.00	.083	B2SXL12-R400



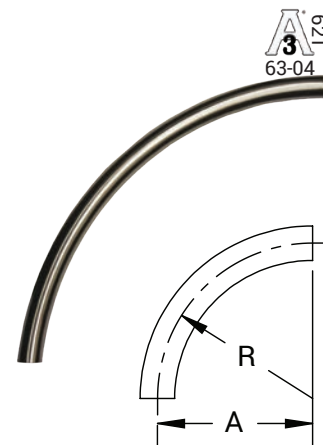
#### 18" 90° Weld Sweep Elbows - B2SXL

Tube O.D.	A (in)	R (in)	Nominal Wall (in)	316L Stainless Steel Part #
1"	18.00	18.00	.065	B2SXL18-R100
1-1/2"	18.00	18.00	.065	B2SXL18-R150
2"	18.00	18.00	.065	B2SXL18-R200
2-1/2"	18.00	18.00	.065	B2SXL18-R250
3"	18.00	18.00	.065	B2SXL18-R300
4"	18.00	18.00	.083	B2SXL18-R400



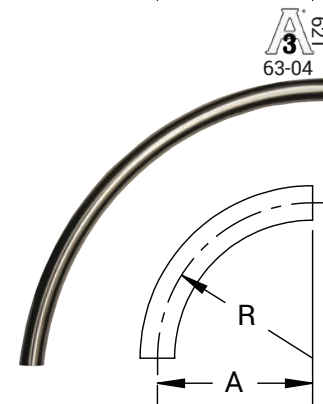
#### 24" 90° Weld Sweep Elbows - B2SXL

Tube O.D.	A (in)	R (in)	Nominal Wall (in)	316L Stainless Steel Part #
1-1/2"	24.00	24.00	.065	B2SXL24-R150
2"	24.00	24.00	.065	B2SXL24-R200
2-1/2"	24.00	24.00	.065	B2SXL24-R250
3"	24.00	24.00	.065	B2SXL24-R300
4"	24.00	24.00	.083	B2SXL24-R400
6"	24.00	24.00	.109	B2SXL24-R600

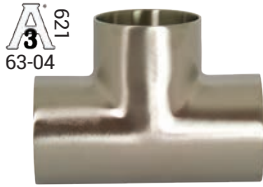


#### 36" 90° Weld Sweep Elbows - B2SXL

Tube O.D.	A (in)	R (in)	Nominal Wall (in)	316L Stainless Steel Part #
1-1/2"	36.00	36.00	.065	B2SXL36-R150
2"	36.00	36.00	.065	B2SXL36-R200
2-1/2"	36.00	36.00	.065	B2SXL36-R250
3"	36.00	36.00	.065	B2SXL36-R300
4"	36.00	36.00	.083	B2SXL36-R400
6"	36.00	36.00	.109	B2SXL36-R600

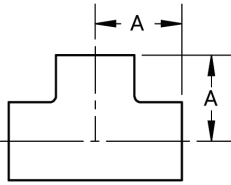


Weld Tees



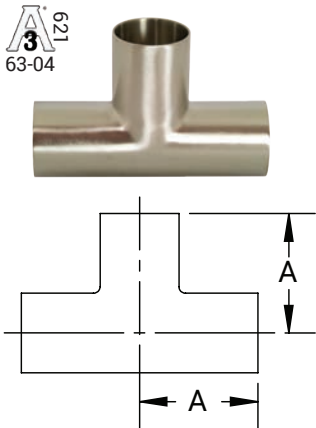
Short Weld Tees - B7WWW

Tube O.D.	A (in)	Nominal Wall (in)	304 Stainless Steel Part #	316L Stainless Steel Part #
1"	1.13	.065	B7WWW-G100P	B7WWW-R100P
1-1/2"	1.66	.065	B7WWW-G150P	B7WWW-R150P
2"	2.06	.065	B7WWW-G200P	B7WWW-R200P
2-1/2"	2.34	.065	B7WWW-G250P	B7WWW-R250P
3"	2.59	.065	B7WWW-G300P	B7WWW-R300P
4"	3.44	.083	B7WWW-G400P	B7WWW-R400P



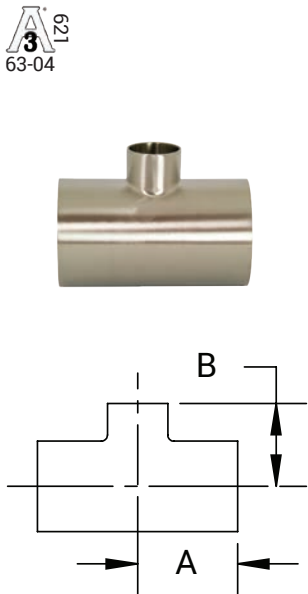
Long Weld Tees - B7W

Tube O.D.	A (in)	Nominal Wall (in)	304 Stainless Steel Part #	316L Stainless Steel Part #
1/2"	1.88	.065	---	B7W-R50P
3/4"	2.00	.065	---	B7W-R75P
1"	1.88	.065	B7W-G100P	B7W-R100P
1-1/2"	2.25	.065	B7W-G150P	B7W-R150P
2"	3.00	.065	B7W-G200P	B7W-R200P
2-1/2"	3.00	.065	B7W-G250P	B7W-R250P
3"	3.25	.065	B7W-G300P	B7W-R300P
4"	3.88	.083	B7W-G400P	B7W-R400P
6"	5.63	.109	B7W-G600P	B7W-R600P
8"	7.00	.109	B7W-G800P	B7W-R800P



Reducing Weld Tees - B7RWWW

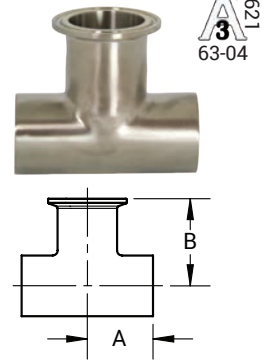
Tube O.D.	A (in)	B (in)	Nominal Wall (in)	304 Stainless Steel Part #	316L Stainless Steel Part #
3/4" x 1/2"	2.00	2.00	.065	---	B7RWWW-R7550P
1" x 1/2"	2.13	2.13	.065	---	B7RWWW-R10050P
1" x 3/4"	2.13	2.13	.065	---	B7RWWW-R10075P
1-1/2" x 1/2"	2.38	2.38	.065	---	B7RWWW-R15050P
1-1/2" x 3/4"	2.38	2.38	.065	---	B7RWWW-R15075P
1-1/2" x 1"	1.66	1.38	.065	B7RWWW-G150100P	B7RWWW-R150100P
2" x 1"	2.06	1.63	.065	B7RWWW-G200100P	B7RWWW-R200100P
2" x 1-1/2"	2.06	1.91	.065	B7RWWW-G200150P	B7RWWW-R200150P
2-1/2" x 1-1/2"	2.34	2.16	.065	B7RWWW-G250150P	B7RWWW-R250150P
2-1/2" x 2"	2.34	2.31	.065	B7RWWW-G250200P	B7RWWW-R250200P
3" x 1-1/2"	2.59	2.41	.065	B7RWWW-G300150P	B7RWWW-R300150P
3" x 2"	2.59	2.56	.065	B7RWWW-G300200P	B7RWWW-R300200P
3" x 2-1/2"	2.59	2.59	.065	B7RWWW-G300250P	B7RWWW-R300250P
4" x 1-1/2"	3.44	2.91	.083	B7RWWW-G400150P	B7RWWW-R400150P
4" x 2"	3.44	3.06	.083	B7RWWW-G400200P	B7RWWW-R400200P
4" x 2-1/2"	3.44	3.09	.083	B7RWWW-G400250P	B7RWWW-R400250P
4" x 3"	3.44	3.09	.083	B7RWWW-G400300P	B7RWWW-R400300P
6" x 2"	5.63	4.50	.109	B7RWWW-G600200P	B7RWWW-R600200P
6" x 3"	5.63	4.88	.109	B7RWWW-G600300P	B7RWWW-R600300P
6" x 4"	5.63	5.13	.109	B7RWWW-G600400P	B7RWWW-R600400P



## Weld Tees

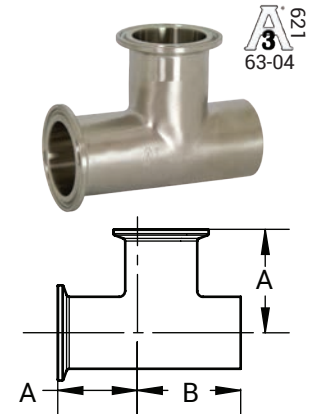
### Weld Run x Clamp Branch Tees - B7WWM

Tube O.D.	A (in)	B (in)	Nominal Wall (in)	304 Stainless Steel Part #	316L Stainless Steel Part #
1/2"	1.88	2.38	.065	--	B7WWM-R50
3/4"	2.00	2.50	.065	--	B7WWM-R75
1"	1.13	1.63	.065	B7WWM-G100	B7WWM-R100
1-1/2"	1.66	2.16	.065	B7WWM-G150	B7WWM-R150
2"	2.06	2.56	.065	B7WWM-G200	B7WWM-R200
2-1/2"	2.34	2.84	.065	B7WWM-G250	B7WWM-R250
3"	2.59	3.09	.065	B7WWM-G300	B7WWM-R300
4"	3.44	4.06	.083	B7WWM-G400	B7WWM-R400



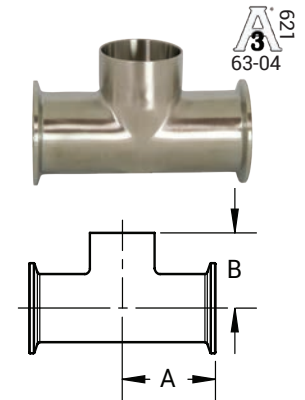
### Weld x Clamp Run x Clamp Branch Tees - B7WMM

Tube O.D.	A (in)	B (in)	Nominal Wall (in)	304 Stainless Steel Part #
1"	1.63	1.13	.065	B7WMM-G100
1-1/2"	2.16	1.66	.065	B7WMM-G150
2"	2.56	2.06	.065	B7WMM-G200
2-1/2"	2.84	2.34	.065	B7WMM-G250
3"	3.09	2.59	.065	B7WMM-G300
4"	4.06	3.44	.083	B7WMM-G400



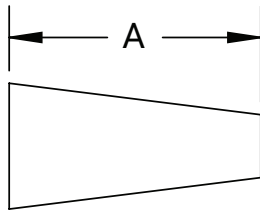
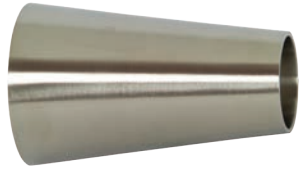
### Clamp Run x Weld Branch Tees - B7MMW

Tube O.D.	A (in)	B (in)	Nominal Wall (in)	304 Stainless Steel Part #
1"	1.63	1.13	.065	B7MMW-G100
1-1/2"	2.16	1.66	.065	B7MMW-G150
2"	2.56	2.06	.065	B7MMW-G200
2-1/2"	2.84	2.34	.065	B7MMW-G250
3"	3.09	2.59	.065	B7MMW-G300
4"	4.06	3.44	.083	B7MMW-G400

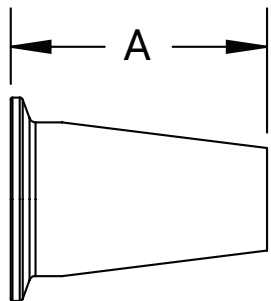


Weld Reducers

Concentric Weld Reducers - B31W



Tube O.D.	A (in)	Nominal Wall (in)	304 Stainless Steel Part #	316L Stainless Steel Part #
3/4" X 1/2"	1.00	.065	--	B31W-R7550P
1" X 1/2"	2.00	.065	--	B31W-R10050P
1" X 3/4"	1.00	.065	--	B31W-R10075P
1-1/2" X 1/2"	4.00	.065	--	B31W-R15050P
1-1/2" X 3/4"	3.00	.065	--	B31W-R15075P
1-1/2" X 1"	2.00	.065	B31W-G150100P	B31W-R150100P
2" X 1/2"	6.00	.065	--	B31W-R20050P
2" X 3/4"	5.00	.065	--	B31W-R20075P
2" X 1"	4.00	.065	B31W-G200100P	B31W-R200100P
2" X 1-1/2"	2.00	.065	B31W-G200150P	B31W-R200150P
2-1/2" X 1"	6.00	.065	B31W-G250100P	B31W-R250100P
2-1/2" X 1-1/2"	4.00	.065	B31W-G250150P	B31W-R250150P
2-1/2" X 2"	2.00	.065	B31W-G250200P	B31W-R250200P
3" X 1"	8.00	.065	B31W-G300100P	B31W-R300100P
3" X 1-1/2"	6.00	.065	B31W-G300150P	B31W-R300150P
3" X 2"	4.00	.065	B31W-G300200P	B31W-R300200P
3" X 2-1/2"	2.00	.065	B31W-G300250P	B31W-R300250P
4" X 1-1/2"	10.00	.083	B31W-G400150P	B31W-R400150P
4" X 2"	8.00	.083	B31W-G400200P	B31W-R400200P
4" X 2-1/2"	6.00	.083	B31W-G400250P	B31W-R400250P
4" X 3"	4.00	.083	B31W-G400300P	B31W-R400300P
6" X 2"	5.50	.109	B31W-G600200P	B31W-R600200P
6" X 3"	5.50	.109	B31W-G600300P	B31W-R600300P
6" X 4"	5.50	.109	B31W-G600400P	B31W-R600400P
8" X 4"	6.00	.109	B31W-G800400P	B31W-R800400P
8" X 6"	7.00	.120	B31W-G800600P	B31W-R800600P
10" X 8"	7.00	.120	B31W-G1000800P	B31W-R1000800P



Concentric Clamp x Weld Reducers - B31M

Tube O.D.	A (in)	Nominal Wall (in)	304 Stainless Steel Part #	316L Stainless Steel Part #
3/4" x 1/2"	1.50	.065	---	B31M-R7550
1" x 1/2"	2.50	.065	---	B31M-R10050
1" x 3/4"	1.50	.065	---	B31M-R10075
1-1/2" x 1/2"	4.50	.065	---	B31M-R15050
1-1/2" x 3/4"	3.50	.065	---	B31M-R15075
1-1/2" x 1"	2.50	.065	B31M-G150100	B31M-R150100
2" x 1"	4.50	.065	B31M-G200100	B31M-R200100
2" x 1-1/2"	2.50	.065	B31M-G200150	B31M-R200150
2-1/2" x 1-1/2"	4.50	.065	B31M-G250150	B31M-R250150
2-1/2" x 2"	2.50	.065	B31M-G250200	B31M-R250200
3" x 1-1/2"	6.50	.065	B31M-G300150	B31M-R300150
3" x 2"	4.50	.065	B31M-G300200	B31M-R300200
3" x 2-1/2"	2.50	.065	B31M-G300250	B31M-R300250
4" x 2"	8.66	.083	B31M-G400200	B31M-R400200
4" x 2-1/2"	6.66	.083	B31M-G400250	B31M-R400250
4" x 3"	4.66	.083	B31M-G400300	B31M-R400300

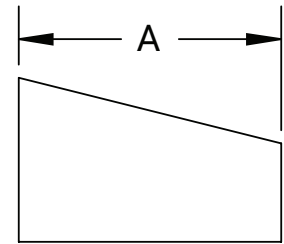
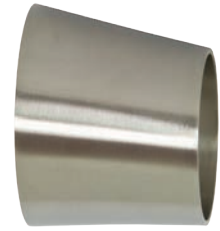


## Weld Reducers

### Eccentric Weld Reducers - B32W

621  
3  
63-04

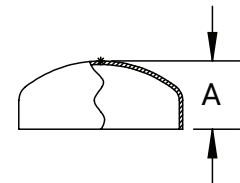
Tube O.D.	A (in)	Nominal Wall (in)	304 Stainless Steel Part #	316L Stainless Steel Part #
3/4" x 1/2"	1.00	.065	---	B32W-R7550P
1" x 1/2"	2.00	.065	---	B32W-R10050P
1" x 3/4"	1.00	.065	---	B32W-R10075P
1-1/2" x 1/2"	4.00	.065	---	B32W-R15050P
1-1/2" x 3/4"	3.00	.065	---	B32W-R15075P
1-1/2" x 1"	2.00	.065	B32W-G150100P	B32W-R150100P
2" x 1/2"	6.00	.065	---	B32W-R20050P
2" x 3/4"	5.00	.065	---	B32W-R20075P
2" x 1"	4.00	.065	B32W-G200100P	B32W-R200100P
2" x 1-1/2"	2.00	.065	B32W-G200150P	B32W-R200150P
2-1/2" x 1-1/2"	4.00	.065	B32W-G250150P	B32W-R250150P
2-1/2" x 2"	2.00	.065	B32W-G250200P	B32W-R250200P
3" x 1"	8.00	.065	B32W-G300100P	B32W-R300100P
3" x 1-1/2"	6.00	.065	B32W-G300150P	B32W-R300150P
3" x 2"	4.00	.065	B32W-G300200P	B32W-R300200P
3" x 2-1/2"	2.00	.065	B32W-G300250P	B32W-R300250P
4" x 1-1/2"	10.00	.083	B32W-G400150P	B32W-R400150P
4" x 2"	8.00	.083	B32W-G400200P	B32W-R400200P
4" x 2-1/2"	6.00	.083	B32W-G400250P	B32W-R400250P
4" x 3"	4.00	.083	B32W-G400300P	B32W-R400300P
6" x 3"	5.50	.109	B32W-G600300P	B32W-R600300P
6" x 4"	5.50	.109	B32W-G600400P	B32W-R600400P
8" x 4"	6.00	.109	B32W-G800400P	B32W-R800400P
8" x 6"	6.00	.109	B32W-G800600P	B32W-R800600P



## Weld End Caps

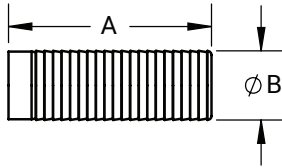
### Weld End Caps - B16W

Tube O.D.	A (in)	Nominal Wall (in)	304 Stainless Steel Part #	316L Stainless Steel Part #
1/2"	.25	.065	---	B16W-R50
3/4"	.31	.065	---	B16W-R75
1"	.38	.065	B16W-G100	B16W-R100
1-1/2"	.56	.065	B16W-G150	B16W-R150
2"	.75	.065	B16W-G200	B16W-R200
2-1/2"	1.00	.065	B16W-G250	B16W-R250
3"	1.25	.065	B16W-G300	B16W-R300
4"	1.50	.083	B16W-G400	B16W-R400
6"	2.00	.109	B16W-G600	B16W-R600
8"	2.50	.109	B16W-G800	B16W-R800



## Weld Adapters


### Long Weld Hose Adapters - 14WHRL



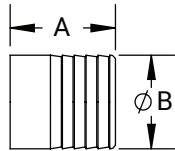
**Feature**

- Suitable for use with band clamps

Tube O.D.	A (in)	B (in)	Nominal Wall (in)	316L Stainless Steel Part #
1"	3.00	1.03	.065	14WHRL-R100
1-1/2"	4.50	1.53	.065	14WHRL-R150
2"	4.50	2.03	.065	14WHRL-R200
2-1/2"	5.00	2.53	.065	14WHRL-R250
3"	5.00	3.03	.065	14WHRL-R300
4"	4.88	4.03	.083	14WHRL-R400

NOTE: Use of PVC tubing requires special techniques to prevent leakage. All assembly work must be done with heated tube. Cold durometer is 90 as opposed to rubber hose at 65 to 70 durometer. Banding buckles must be at 180° from one another. 

### Weld Hose Adapters - 14WHR

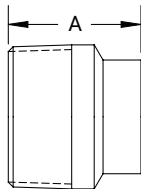


Tube O.D.	A (in)	B (in)	Nominal Wall (in)	316L Stainless Steel Part #
1/2"	1.50	.50	.065	14WHR-R50
3/4"	1.50	.75	.065	14WHR-R75
1"	1.69	1.00	.065	14WHR-R100
1-1/2"	1.69	1.50	.065	14WHR-R150
2"	2.31	2.00	.065	14WHR-R200
2-1/2"	2.00	2.50	.065	14WHR-R250
3"	3.09	3.00	.065	14WHR-R300
4"	3.41	4.00	.083	14WHR-R400

### Male NPT x Weld End Adapters - B19WB

**Feature**

- 32Ra finish I.D. only

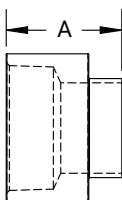


Tube O.D.	A (in)	Nominal Wall (in)	304 Stainless Steel Part #	316L Stainless Steel Part #
1/2"	1.63	.065	---	B19WB-R50
3/4"	1.63	.065	---	B19WB-R75
1"	1.75	.065	B19WB-G100	B19WB-R100
1-1/2"	1.75	.065	B19WB-G150	B19WB-R150
2"	1.81	.065	B19WB-G200	B19WB-R200
2-1/2"	2.31	.065	B19WB-G250	B19WB-R250
3"	2.50	.065	B19WB-G300	B19WB-R300
4"	2.56	.083	B19WB-G400	B19WB-R400
6"	3.40	.109	---	B19WB-R600

### Female NPT x Weld End Adapters - B22WB

**Feature**

- 32Ra finish I.D. only

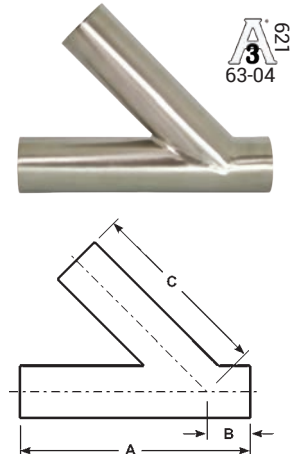


Tube O.D.	A (in)	Nominal Wall (in)	304 Stainless Steel Part #	316L Stainless Steel Part #
1/2"	1.25	.065	---	B22WB-R50
3/4"	1.63	.065	---	B22WB-R75
1"	1.75	.065	B22WB-G100	B22WB-R100
1-1/2"	1.75	.065	B22WB-G150	B22WB-R150
2"	1.81	.065	B22WB-G200	B22WB-R200
2-1/2"	2.31	.065	B22WB-G250	B22WB-R250
3"	2.50	.065	B22WB-G300	B22WB-R300
4"	2.50	.083	B22WB-G400	B22WB-R400

Laterals, Wyes, Crosses, Bends, and Flanges

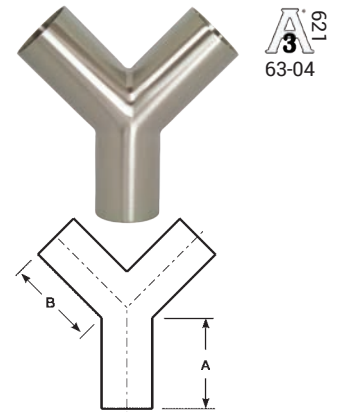
Weld Laterals - B28WA

Tube O.D.	A (in)	B (in)	C (in)	Nominal Wall (in)	316L Stainless Steel Part #
1"	6.00	1.00	5.00	.065	B28WA-R100P
1-1/2"	7.38	1.19	6.19	.065	B28WA-R150P
2"	8.75	1.63	7.13	.065	B28WA-R200P
2-1/2"	10.00	1.50	8.50	.065	B28WA-R250P
3"	10.75	1.88	8.88	.065	B28WA-R300P
4"	12.81	2.02	10.75	.083	B28WA-R400P
6"	18.00	3.50	14.50	.109	B28WA-R600P
8"	22.00	5.00	17.00	.109	B28WA-R800P



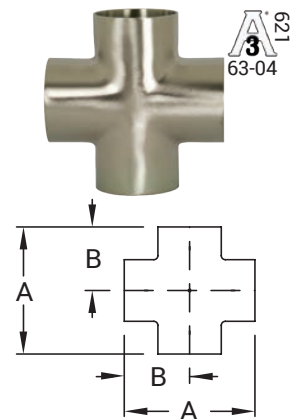
Weld True Wyes - B28W

Tube O.D.	A (in)	B (in)	Nominal Wall (in)	316L Stainless Steel Part #
1"	2.21	2.65	.065	B28W-R100P
1-1/2"	2.31	2.75	.065	B28W-R150P
2"	3.04	3.66	.065	B28W-R200P
2-1/2"	3.89	4.64	.065	B28W-R250P
3"	4.62	5.50	.065	B28W-R300P
4"	6.20	6.40	.083	B28W-R400P
6"	3.50	8.00	.109	B28W-R600P



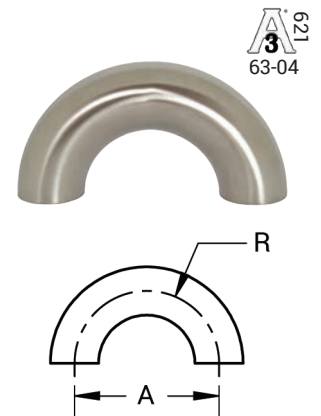
Weld Crosses - B9WWWW

Tube O.D.	A (in)	B (in)	Nominal Wall (in)	304 Stainless Steel Part #	316L Stainless Steel Part #
1"	2.25	1.13	.065	B9WWWW-G100P	B9WWWW-R100P
1-1/2"	3.31	1.66	.065	B9WWWW-G150P	B9WWWW-R150P
2"	4.13	2.06	.065	B9WWWW-G200P	B9WWWW-R200P
2-1/2"	4.69	2.34	.065	B9WWWW-G250P	B9WWWW-R250P
3"	5.19	2.59	.065	B9WWWW-G300P	B9WWWW-R300P
4"	6.88	3.44	.083	B9WWWW-G400P	B9WWWW-R400P



Weld 180° Return Bends - B2WUL

Tube O.D.	A (in)	R (in)	Nominal Wall (in)	316L Stainless Steel Part #
1"	3.00	1.50	.065	B2WUL-R100P
1-1/2"	4.50	2.25	.065	B2WUL-R150P
2"	6.00	3.00	.065	B2WUL-R200P
2-1/2"	7.50	3.75	.065	B2WUL-R250P
3"	9.00	4.50	.065	B2WUL-R300P
4"	12.00	6.00	.083	B2WUL-R400P



## Laterals, Wyes, Crosses, Bends, and Flanges

### Weld End Blue Protection Covers - BCW

#### Application

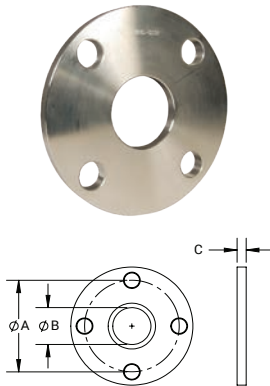
- Use these covers to protect all weld ends on fittings, valves, and pumps



Size	Vinyl Plastic Part #
1/2"	BCW-050
3/4"	BCW-075
1"	BCW-100
1-1/2"	BCW-150
2"	BCW-200
2-1/2"	BCW-250
3"	BCW-300
4"	BCW-400
6"	BCW-600
8"	BCW-800

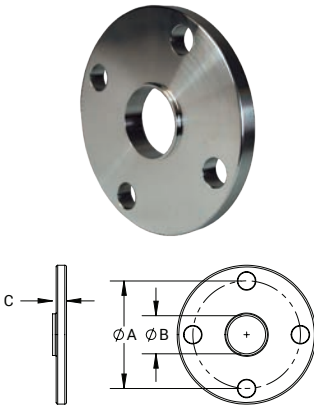
### Weld Flanges

#### Slip-On 150# Flanges - B38SL



Tube O.D.	A (in)	B (in)	C (in)	Number & Diameter Bolt Holes (in)	304 Stainless Steel Part #	316L Stainless Steel Part #
1"	3.13	1.06	0.38	4/.63	B38SL-G100	B38SL-R100
1-1/2"	3.88	1.56	0.38	4/.63	B38SL-G150	B38SL-R150
2"	4.75	2.06	0.44	4/.75	B38SL-G200	B38SL-R200
2-1/2"	5.50	2.56	0.44	4/.75	B38SL-G250	B38SL-R250
3"	6.00	3.06	0.50	4/.75	B38SL-G300	B38SL-R300
4"	7.50	4.06	0.56	8/.75	B38SL-G400	B38SL-R400
6"	9.50	6.06	0.56	8/.88	B38SL-G600	B38SL-R600
8"	11.75	8.06	0.69	8/.88	B38SL-G800	B38SL-R800
10"	14.25	10.06	0.69	12/1.00	B38SL-G1000	B38SL-R1000

#### Weld Neck Flanges - B38W



Tube O.D.	A (in)	B (in)	C (in)	Nominal Wall (in)	Number & Diameter Bolt Holes (in)	316L Stainless Steel Part #
1"	3.13	0.87	0.50	.065	4/.63	B38W-R100
1-1/2"	3.88	1.37	0.50	.065	4/.63	B38W-R150
2"	4.75	1.87	0.63	.065	4/.75	B38W-R200
2-1/2"	5.50	2.37	0.63	.065	4/.75	B38W-R250
3"	6.00	2.87	0.63	.065	4/.75	B38W-R300
4"	7.50	3.83	0.63	.083	8/.75	B38W-R400
6"	9.50	5.78	0.63	.109	8/.88	B38W-R600
8"	11.75	7.78	0.63	.109	8/.88	B38W-R800
10"	14.25	9.76	0.81	.120	12/1.00	B38W-R1000

NOTE: For flange dimensions, diagrams, and additional information, please reference [dixonvalve.com](http://dixonvalve.com).

### Flange Gaskets

#### Size

- Standard drop-ring type all 1/16" thick



Size	Neoprene Part #
1"	NG10
1-1/4"	NG15
1-1/2"	NG20
2"	NG25
2-1/2"	NG30
3"	NG35
4"	NG40
5"	NG50
6"	NG60
8"	NG80

## Dixon Sanitary Unpolished Weld Fittings

### A Complete Weld Connection

**Sizes**

- 1/2" - 12" O.D. tube

**Materials**

- G = 304 stainless steel
- R = 316L stainless steel
- Other alloys are available

**Feature**

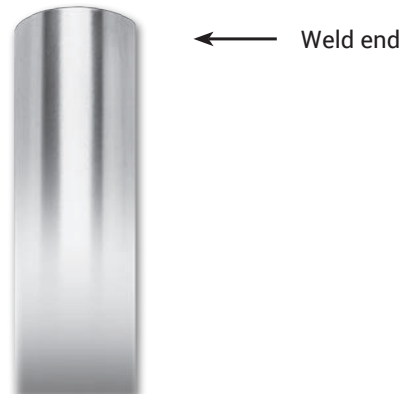
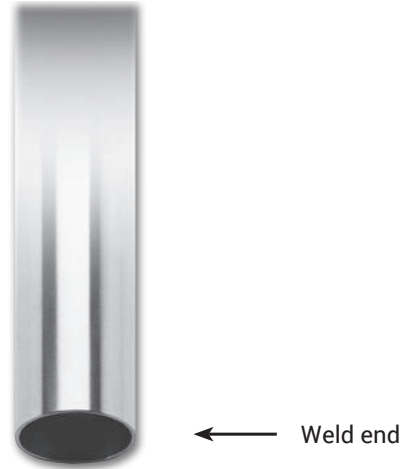
- Unpolished

**Primary Markets**

- Found in the food processing, beverage, pet products, wineries and breweries, oil extraction, and industrial markets in non-sanitary process lines

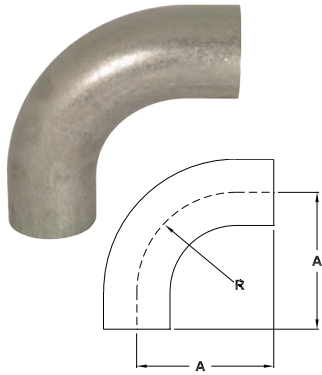
**Dimensions of stainless steel tube**

Tube O.D.	Nominal Wall Thickness (in)
1/2"	.065
3/4"	.065
1"	.065
1-1/2"	.065
2"	.065
2-1/2"	.065
3"	.065
4"	.083
6"	.109
8"	.109
10"	.120
12"	.120



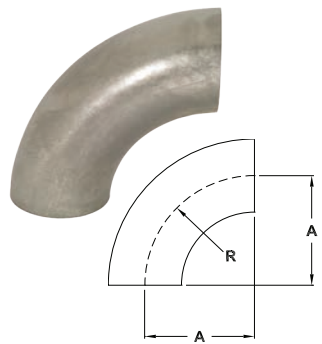
**Unpolished Elbows**

**Unpolished 90° Weld Elbows with Tangents - B2S**



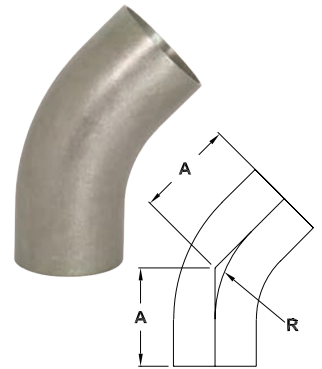
Tube O.D.	A (in)	R (in)	Nominal Wall (in)	304 Stainless Steel Part #	316L Stainless Steel Part #
1/2"	3.00	1.12	.065	---	B2S-R50U
3/4"	3.00	1.12	.065	---	B2S-R75U
1"	2.06	1.50	.065	B2S-G100U	B2S-R100U
1-1/2"	2.93	2.25	.065	B2S-G150U	B2S-R150U
2"	4.06	3.00	.065	B2S-G200U	B2S-R200U
2-1/2"	5.18	3.75	.065	B2S-G250U	B2S-R250U
3"	6.31	4.50	.065	B2S-G300U	B2S-R300U
4"	8.31	6.00	.083	B2S-G400U	B2S-R400U

**Unpolished 90° Weld Elbows - B2WCL**



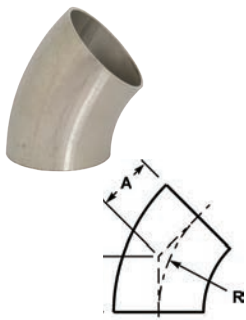
Tube O.D.	A (in)	R (in)	Nominal Wall (in)	304 Stainless Steel Part #	316L Stainless Steel Part #
1/2"	1.13	1.13	.065	---	B2WCL-R50U
3/4"	1.13	1.13	.065	---	B2WCL-R75U
1"	1.50	1.50	.065	B2WCL-G100U	B2WCL-R100U
1-1/2"	2.25	2.25	.065	B2WCL-G150U	B2WCL-R150U
2"	3.00	3.00	.065	B2WCL-G200U	B2WCL-R200U
2-1/2"	3.75	3.75	.065	B2WCL-G250U	B2WCL-R250U
3"	4.50	4.50	.065	B2WCL-G300U	B2WCL-R300U
4"	6.00	6.00	.083	B2WCL-G400U	B2WCL-R400U
6"	9.00	9.00	.109	B2WCL-G600U	B2WCL-R600U
8"	12.00	12.00	.109	B2WCL-G800U	B2WCL-R800U
10"	15.00	15.00	.120	B2WCL-G1000U	B2WCL-R1000U
12"	18.00	18.00	.120	B2WCL-G1200U	B2WCL-R1200U

**Unpolished 45° Weld Elbows with Tangents - B2KS**



Tube O.D.	A (in)	R (in)	Nominal Wall (in)	304 Stainless Steel Part #	316L Stainless Steel Part #
1/2"	2.25	1.13	.065	---	B2KS-R50U
3/4"	2.25	1.13	.065	---	B2KS-R75U
1"	1.19	1.50	.065	B2KS-G100U	B2KS-R100U
1-1/2"	1.63	2.25	.065	B2KS-G150U	B2KS-R150U
2"	2.31	3.00	.065	B2KS-G200U	B2KS-R200U
2-1/2"	3.00	3.75	.065	B2KS-G250U	B2KS-R250U
3"	3.69	4.50	.065	B2KS-G300U	B2KS-R300U
4"	4.81	6.00	.083	B2KS-G400U	B2KS-R400U

**Unpolished 45° Weld Elbows - B2WK**

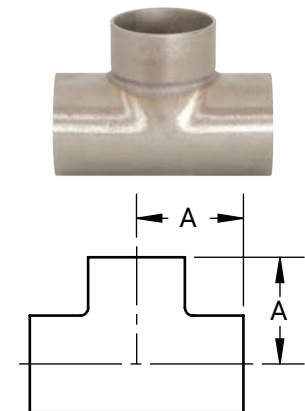


Tube O.D.	A (in)	R (in)	Nominal Wall (in)	304 Stainless Steel Part #	316L Stainless Steel Part #
1/2"	.47	1.13	.065	---	B2WK-R50U
3/4"	.47	1.13	.065	---	B2WK-R75U
1"	.63	1.50	.065	B2WK-G100U	B2WK-R100U
1-1/2"	.94	2.25	.065	B2WK-G150U	B2WK-R150U
2"	1.25	3.00	.065	B2WK-G200U	B2WK-R200U
2-1/2"	1.56	3.75	.065	B2WK-G250U	B2WK-R250U
3"	1.88	4.50	.065	B2WK-G300U	B2WK-R300U
4"	2.50	6.00	.083	B2WK-G400U	B2WK-R400U
6"	3.75	9.00	.109	B2WK-G600U	B2WK-R600U
8"	5.00	12.00	.109	B2WK-G800U	B2WK-R800U
10"	6.25	15.00	.120	B2WK-G1000U	B2WK-R1000U
12"	7.50	18.00	.120	B2WK-G1200U	B2WK-R1200U

## Unpolished Tees

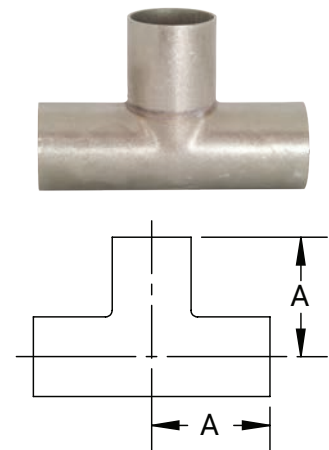
### Unpolished Short Weld Tees - B7WWW

Tube O.D.	A (in)	Nominal Wall (in)	304 Stainless Steel Part #	316L Stainless Steel Part #
1"	1.13	.065	B7WWW-G100U	B7WWW-R100U
1-1/2"	1.66	.065	B7WWW-G150U	B7WWW-R150U
2"	2.06	.065	B7WWW-G200U	B7WWW-R200U
2-1/2"	2.34	.065	B7WWW-G250U	B7WWW-R250U
3"	2.59	.065	B7WWW-G300U	B7WWW-R300U
4"	3.44	.083	B7WWW-G400U	B7WWW-R400U



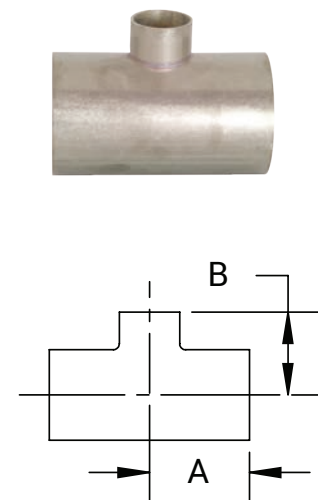
### Unpolished Long Weld Tees - B7W

Tube O.D.	A (in)	Nominal Wall (in)	304 Stainless Steel Part #	316L Stainless Steel Part #
1/2"	1.88	.065	---	B7W-R50U
3/4"	2.00	.065	---	B7W-R75U
1"	1.88	.065	B7W-G100U	B7W-R100U
1-1/2"	2.25	.065	B7W-G150U	B7W-R150U
2"	3.00	.065	B7W-G200U	B7W-R200U
2-1/2"	3.00	.065	B7W-G250U	B7W-R250U
3"	3.25	.065	B7W-G300U	B7W-R300U
4"	3.88	.083	B7W-G400U	B7W-R400U
6"	5.63	.109	B7W-G600U	B7W-R600U
8"	7.00	.109	B7W-G800U	B7W-R800U



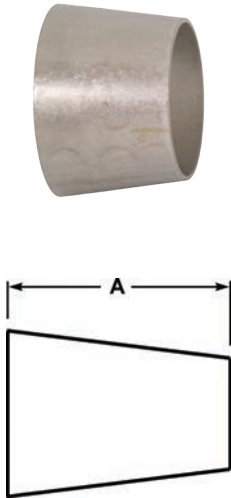
### Unpolished Reducing Weld Tees - B7RWWW

Tube O.D.	A (in)	B (in)	Nominal Wall (in)	304 Stainless Steel Part #	316L Stainless Steel Part #
1-1/2" x 3/4"	2.13	2.13	.065	---	B7RWWW-R15075U
1-1/2" x 1"	2.38	2.38	.065	B7RWWW-G150100U	B7RWWW-R150100U
2" x 1/2"	2.38	2.38	.065	---	B7RWWW-R20050U
2" x 3/4"	1.66	1.38	.065	---	B7RWWW-R20075U
2" x 1"	2.06	1.63	.065	B7RWWW-G200100U	B7RWWW-R200100U
2" x 1-1/2"	2.06	1.91	.065	B7RWWW-G200150U	B7RWWW-R200150U
2-1/2" x 1-1/2"	2.34	2.16	.065	B7RWWW-G250150U	B7RWWW-R250150U
2-1/2" x 2"	2.34	2.31	.065	B7RWWW-G250200U	B7RWWW-R250200U
3" x 1-1/2"	2.59	2.41	.065	B7RWWW-G300150U	B7RWWW-R300150U
3" x 2"	2.59	2.56	.065	B7RWWW-G300200U	B7RWWW-R300200U
3" x 2-1/2"	2.59	2.59	.065	B7RWWW-G300250U	B7RWWW-R300250U
4" x 1-1/2"	3.44	2.91	.083	B7RWWW-G400150U	B7RWWW-R400150U
4" x 2"	3.44	3.06	.083	B7RWWW-G400200U	B7RWWW-R400200U
4" x 2-1/2"	3.44	3.09	.083	B7RWWW-G400250U	B7RWWW-R400250U
4" x 3"	3.44	3.09	.083	B7RWWW-G400300U	B7RWWW-R400300U



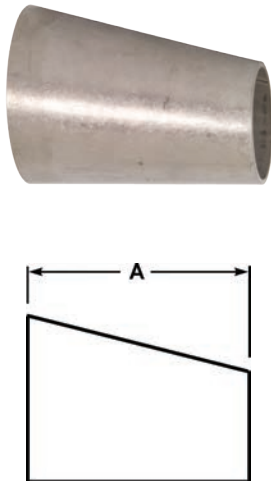
**Unpolished Reducers**

**Unpolished Concentric Weld Reducers - B31W**



Tube O.D.	A (in)	Nominal Wall (in)	304 Stainless Steel Part #	316L Stainless Steel Part #
3/4" x 1/2"	1.00	.065	---	B31W-R7550U
1" x 1/2"	2.00	.065	---	B31W-R10050U
1" x 3/4"	1.00	.065	---	B31W-R10075U
1-1/2" x 1/2"	4.00	.065	---	B31W-R15050U
1-1/2" x 3/4"	3.00	.065	---	B31W-R15075U
1-1/2" x 1"	2.00	.065	B31W-G150100U	B31W-R150100U
2" x 3/4"	5.00	.065	---	B31W-R20075U
2" x 1"	4.00	.065	B31W-G200100U	B31W-R200100U
2" x 1-1/2"	2.00	.065	B31W-G200150U	B31W-R200150U
2-1/2" x 1-1/2"	4.00	.065	B31W-G250150U	B31W-R250150U
2-1/2" x 2"	2.00	.065	B31W-G250200U	B31W-R250200U
3" x 1"	8.00	.065	B31W-G300100U	B31W-R300100U
3" x 1-1/2"	6.00	.065	B31W-G300150U	B31W-R300150U
3" x 2"	4.00	.065	B31W-G300200U	B31W-R300200U
3" x 2-1/2"	2.00	.065	B31W-G300250U	B31W-R300250U
4" x 1-1/2"	10.00	.083	B31W-G400150U	B31W-R400150U
4" x 2"	8.00	.083	B31W-G400200U	B31W-R400200U
4" x 2-1/2"	6.00	.083	B31W-G400250U	B31W-R400250U
4" x 3"	4.00	.083	B31W-G400300U	B31W-R400300U
6" x 3"	5.50	.109	B31W-G600300U	B31W-R600300U
6" x 4"	5.50	.109	B31W-G600400U	B31W-R600400U
8" x 4"	6.00	.109	B31W-G800400U	B31W-R800400U
8" x 6"	6.00	.109	B31W-G800600U	B31W-R800600U

**Unpolished Eccentric Weld Reducers - B32W**



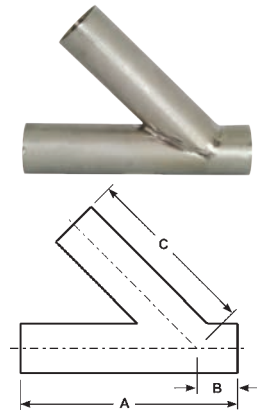
Tube O.D.	A (in)	Nominal Wall (in)	304 Stainless Steel Part #	316L Stainless Steel Part #
3/4" x 1/2"	1.00	.065	---	B32W-R7550U
1" x 1/2"	2.00	.065	---	B32W-R10050U
1" x 3/4"	1.00	.065	---	B32W-R10075U
1-1/2" x 1/2"	4.00	.065	---	B32W-R15050U
1-1/2" x 3/4"	3.00	.065	---	B32W-R15075U
1-1/2" x 1"	2.00	.065	B32W-G150100U	B32W-R150100U
2" x 3/4"	5.00	.065	---	B32W-R20075U
2" x 1"	4.00	.065	B32W-G200100U	B32W-R200100U
2" x 1-1/2"	2.00	.065	B32W-G200150U	B32W-R200150U
2-1/2" x 2"	2.00	.065	B32W-G250200U	B32W-R250200U
3" x 1-1/2"	6.00	.065	B32W-G300150U	B32W-R300150U
3" x 2"	4.00	.065	B32W-G300200U	B32W-R300200U
3" x 2-1/2"	2.00	.065	B32W-G300250U	B32W-R300250U
4" x 1-1/2"	10.00	.083	B32W-G400150U	B32W-R400150U
4" x 2"	8.00	.083	B32W-G400200U	B32W-R400200U
4" x 3"	4.00	.083	B32W-G400300U	B32W-R400300U
6" x 4"	5.50	.109	B32W-G600400U	B32W-R600400U
8" x 6"	6.00	.109	B32W-G800600U	B32W-R800600U



### Laterals, Wyes, Bends, and Flanges

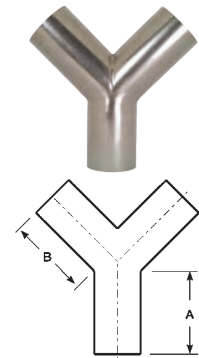
#### Unpolished Weld Laterals - B28WA

Tube O.D.	A (in)	B (in)	C (in)	Nominal Wall (in)	316L Stainless Steel Part #
1"	6.00	1.00	5.00	.065	B28WA-R100U
1-1/2"	7.38	1.19	6.19	.065	B28WA-R150U
2"	8.75	1.63	7.13	.065	B28WA-R200U
2-1/2"	10.00	1.50	8.50	.065	B28WA-R250U
3"	10.75	1.88	8.88	.065	B28WA-R300U
4"	12.81	2.02	10.75	.083	B28WA-R400U
6"	18.00	3.00	14.50	.109	B28WA-R600U



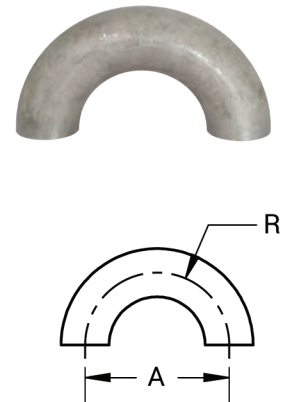
#### Unpolished Weld True Wyes - B28W

Tube O.D.	A (in)	B (in)	Nominal Wall (in)	316L Stainless Steel Part #
1"	2.00	2.44	.065	B28W-R100U
1-1/2"	2.00	2.44	.065	B28W-R150U
2"	2.63	3.25	.065	B28W-R200U
2-1/2"	3.37	4.13	.065	B28W-R250U
3"	4.00	4.88	.065	B28W-R300U
4"	5.38	5.38	.083	B28W-R400U
6"	8.00	8.00	.109	B28W-R600U



#### Unpolished Weld 180° Return Bends - B2WUL

Tube O.D.	A (in)	R (in)	Nominal Wall (in)	316L Stainless Steel Part #
1"	3.00	1.50	.065	B2WUL-R100U
1-1/2"	4.50	2.25	.065	B2WUL-R150U
2"	6.00	3.00	.065	B2WUL-R200U
2-1/2"	7.50	3.75	.065	B2WUL-R250U
3"	9.00	4.50	.065	B2WUL-R300U
4"	12.00	6.00	.083	B2WUL-R400U



#### Weld End Blue Protection Covers - BCW

##### Application

- Use these covers to protect all weld ends on fittings, valves, and pumps

Size	Vinyl Plastic Part #
1/2"	BCW-050
3/4"	BCW-075
1"	BCW-100
1-1/2"	BCW-150
2"	BCW-200
2-1/2"	BCW-250
3"	BCW-300
4"	BCW-400
6"	BCW-600
8"	BCW-800

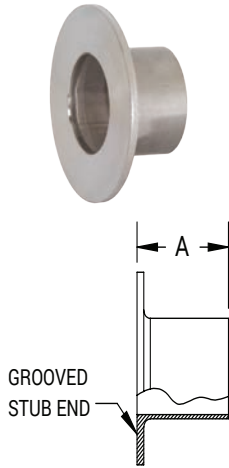


**Laterals, Wyes, Bends, and Flanges**

**Unpolished Type A Stub Ends - 14VB**

**Application**

- Typically used with B38SL flanges



Tube O.D.	A (in)	Nominal Wall (in)	316L Stainless Steel Part #
1/2"	1.38	.065	14VB-R50
3/4"	1.38	.065	14VB-R75
1"	1.63	.065	14VB-R100
1-1/2"	1.75	.065	14VB-R150
2"	1.50	.065	14VB-R200
2-1/2"	2.00	.065	14VB-R250
3"	2.25	.065	14VB-R300
4"	2.63	.083	14VB-R400
6"	3.00	.109	14VB-R600
8"	3.00	.109	14VB-R800
10"	3.50	.120	14VB-R1000

**Flange Gaskets**

**Size**

- Standard drop-ring type all 1/16" thick



Size	Neoprene Part #
1"	NG10
1-1/4"	NG15
1-1/2"	NG20
2"	NG25
2-1/2"	NG30
3"	NG35
4"	NG40
5"	NG50
6"	NG60
8"	NG80

## Dixon Sanitary Bevel Seat Fittings

### A Complete Bevel Seat Connection

**Sizes**

- 1" - 4" O.D. tube

**Materials**

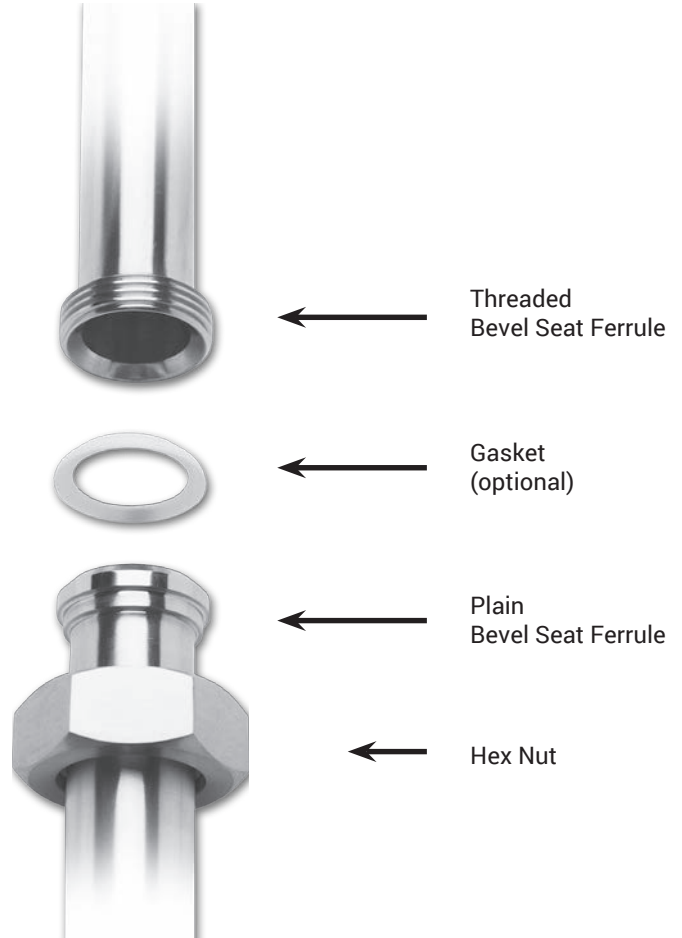
- G = 304 stainless steel
- R = 316L stainless steel
- Other alloys are available

**Feature**

- 3A sanitary finish I.D. and O.D.

**Primary Markets**

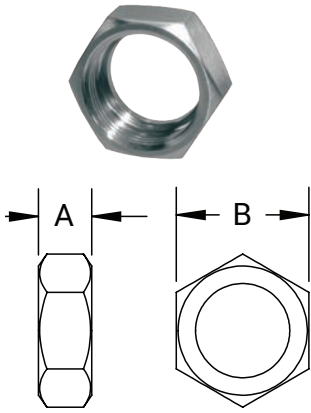
- Found in the food processing, beverage, and dairy markets



### Dimensions of stainless steel tube

Tube O.D.	Nominal Wall Thickness (in)
1"	.065
1-1/2"	.065
2"	.065
2-1/2"	.065
3"	.065
4"	.083

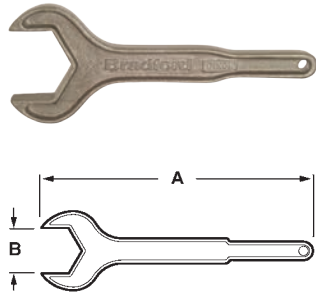
### Bevel Seat Nuts



#### Union Hex Nuts - 13H

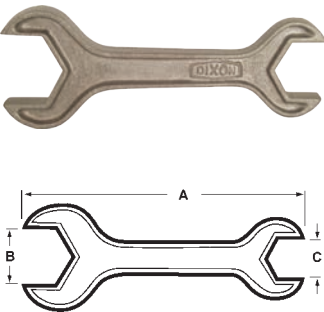
Tube O.D.	A (in)	B (in)	304 Stainless Steel (CF8) Part #
1"	.91	1.81	13H-G100
1-1/2"	.97	2.41	13H-G150
2"	1.06	3.00	13H-G200
2-1/2"	1.19	3.59	13H-G250
3"	1.28	4.19	13H-G300
4"	1.50	5.44	13H-G400

### Bevel Seat Wrenches



#### Single Side Hex Wrenches - 25H

Tube O.D.	A (in)	B (in)	Weight lbs.	Aluminum Part #
1"	10.50	1.81	.64	25H-100
1-1/2"	12.00	2.41	.86	25H-150
2"	14.00	3.00	1.76	25H-200
2-1/2"	16.25	3.59	2.40	25H-250
3"	18.50	4.19	3.04	25H-300
4"	19.50	5.44	3.62	25H-400



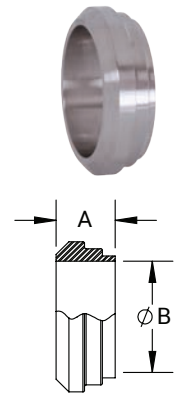
#### Two Sided Hex Wrenches - 25H

Tube O.D.	A (in)	B (in)	C (in)	Weight lbs.	Aluminum Part #
1-1/2" x 1"	12.00	2.41	1.81	1.00	25H-150100
2" x 1-1/2"	14.00	3.00	2.41	1.75	25H-200150
2-1/2" x 2"	16.50	3.59	3.00	2.80	25H-250200
3" x 2"	18.00	4.19	3.00	3.20	25H-300200
3" x 2-1/2"	18.00	4.19	3.59	3.70	25H-300250

### Bevel Seat Ferrules

#### Short Plain Bevel Seat Weld Ferrules - 14PRF

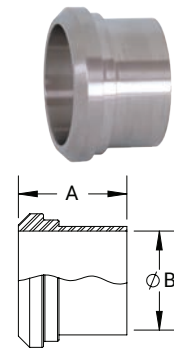
Tube O.D.	A (in)	B (in)	Nominal Wall (in)	304 Stainless Steel Part #	316L Stainless Steel Part #
1"	.72	.87	.065	14PRF-G100	14PRF-R100
1-1/2"	.72	1.37	.065	14PRF-G150	14PRF-R150
2"	.75	1.87	.065	14PRF-G200	14PRF-R200
2-1/2"	.88	2.37	.065	14PRF-G250	14PRF-R250
3"	.91	2.87	.065	14PRF-G300	14PRF-R300
4"	1.03	3.83	.083	14PRF-G400	14PRF-R400



621  
3  
63-04

#### Long Plain Bevel Seat Weld Ferrules - 14A

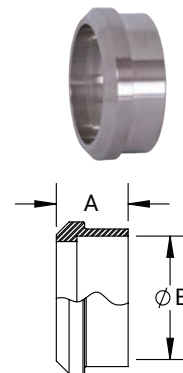
Tube O.D.	A (in)	B (in)	Nominal Wall (in)	304 Stainless Steel Part #	316L Stainless Steel Part #
1"	1.38	.87	.065	14A-G100	14A-R100
1-1/2"	1.50	1.37	.065	14A-G150	14A-R150
2"	1.50	1.87	.065	14A-G200	14A-R200
2-1/2"	1.75	2.37	.065	14A-G250	14A-R250
3"	1.75	2.87	.065	14A-G300	14A-R300
4"	1.75	3.83	.083	14A-G400	14A-R400



621  
3  
63-04

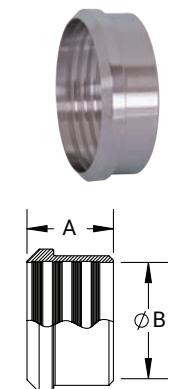
#### Recessed Plain Bevel Seat Weld Ferrules - 14

Tube O.D.	A (in)	B (in)	Nominal Wall (in)	304 Stainless Steel Part #
1"	.75	1.01	.065	14-G100
1-1/2"	.88	1.51	.065	14-G150
2"	.97	2.01	.065	14-G200
2-1/2"	1.06	2.51	.065	14-G250
3"	1.13	3.01	.065	14-G300
4"	1.25	4.01	.083	14-G400



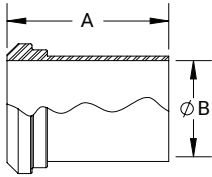
#### Recessless Plain Bevel Seat Ferrules for Expanding - 14R

Tube O.D.	A (in)	B (in)	304 Stainless Steel Part #
1"	.75	1.00	14R-G100
1-1/2"	1.12	1.50	14R-G150
2"	1.31	2.00	14R-G200
2-1/2"	1.38	2.50	14R-G250
3"	1.44	3.00	14R-G300
4"	1.50	4.00	14R-G400



**Bevel Seat Ferrules**

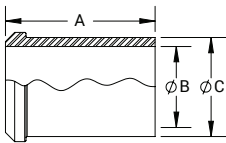
**A** 621  
**3**  
63-04



**Light Wall Tank Plain Bevel Seat Ferrules - 14WL**

Tube O.D.	A (in)	B (in)	Nominal Wall (in)	304 Stainless Steel Part #
1"	2.00	.87	.065	14WL-G100
1-1/2"	2.25	1.37	.065	14WL-G150
2"	2.50	1.87	.065	14WL-G200
2-1/2"	2.75	2.37	.065	14WL-G250
3"	3.00	2.87	.065	14WL-G300
4"	4.00	3.83	.083	14WL-G400

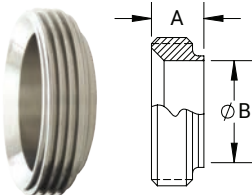
**A** 621  
**3**  
63-04



**Heavy Wall Tank Plain Bevel Seat Ferrules - 14W**

Size	A (in)	B (in)	C (in)	304 Stainless Steel Part #
1"	2.38	.87	1.16	14W-G100
1-1/2"	2.53	1.37	1.68	14W-G150
2"	2.78	1.87	2.19	14W-G200
2-1/2"	3.06	2.37	2.71	14W-G250
3"	3.53	2.87	3.22	14W-G300
4"	4.31	3.83	4.26	14W-G400

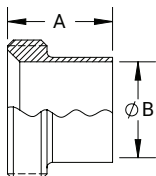
**A** 621  
**3**  
63-04



**Short Threaded Bevel Seat Weld Ferrules - 15TRF**

Tube O.D.	A (in)	B (in)	Nominal Wall (in)	304 Stainless Steel Part #	316L Stainless Steel Part #
1"	.72	.87	.065	15TRF-G100	15TRF-R100
1-1/2"	.72	1.37	.065	15TRF-G150	15TRF-R150
2"	.75	1.87	.065	15TRF-G200	15TRF-R200
2-1/2"	.88	2.37	.065	15TRF-G250	15TRF-R250
3"	.91	2.87	.065	15TRF-G300	15TRF-R300
4"	1.03	3.83	.083	15TRF-G400	15TRF-R400

**A** 621  
**3**  
63-04



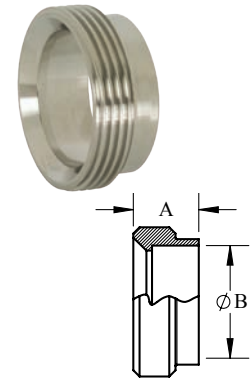
**Long Threaded Bevel Seat Weld Ferrules - 15A**

Tube O.D.	A (in)	B (in)	Nominal Wall (in)	304 Stainless Steel Part #	316L Stainless Steel Part #
1"	1.38	.87	.065	15A-G100	15A-R100
1-1/2"	1.50	1.37	.065	15A-G150	15A-R150
2"	1.50	1.87	.065	15A-G200	15A-R200
2-1/2"	1.75	2.37	.065	15A-G250	15A-R250
3"	1.75	2.87	.065	15A-G300	15A-R300
4"	1.75	3.83	.083	15A-G400	15A-R400

## Bevel Seat Ferrules

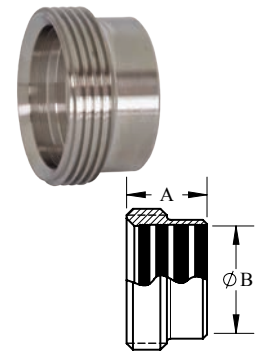
### Recessed Threaded Bevel Seat Ferrules - 15

Tube O.D.	A (in)	B (in)	304 Stainless Steel Part #
1"	0.81	1.01	15-G100
1-1/2"	0.88	1.51	15-G150
2"	1.03	2.01	15-G200
2-1/2"	1.13	2.51	15-G250
3"	1.25	3.01	15-G300
4"	1.38	4.01	15-G400



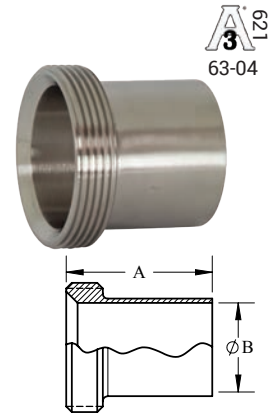
### Recessless Threaded Bevel Seat Ferrules for Expanding - 15R

Tube O.D.	A (in)	B (in)	304 Stainless Steel Part #
1"	.81	1.01	15R-G100
1-1/2"	1.13	1.51	15R-G150
2"	1.38	2.01	15R-G200
2-1/2"	1.50	2.51	15R-G250
3"	1.63	3.01	15R-G300
4"	1.68	4.01	15R-G400



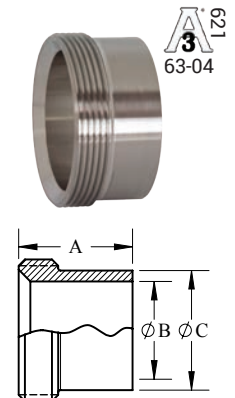
### Light Wall Tank Threaded Bevel Seat Ferrules - 15WL

Tube O.D.	A (in)	B (in)	Nominal Wall (in)	304 Stainless Steel Part #
1"	2.00	.87	.065	15WL-G100
1-1/2"	2.25	1.37	.065	15WL-G150
2"	2.50	1.87	.065	15WL-G200
2-1/2"	2.75	2.37	.065	15WL-G250
3"	3.00	2.87	.065	15WL-G300
4"	4.00	3.83	.083	15WL-G400



### Heavy Wall Tank Threaded Bevel Seat Ferrules - 15W

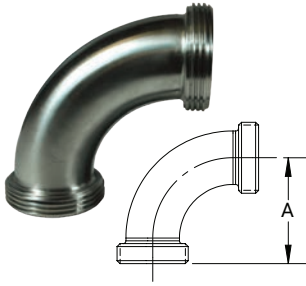
Size	A (in)	B (in)	C (in)	304 Stainless Steel Part #	316L Stainless Steel Part #
1"	1.50	.87	1.16	15W-G100	15W-R100
1-1/2"	1.63	1.37	1.68	15W-G150	15W-R150
2"	1.75	1.87	2.19	15W-G200	15W-R200
2-1/2"	1.75	2.37	2.71	15W-G250	15W-R250
3"	1.81	2.87	3.22	15W-G300	15W-R300
4"	2.13	3.83	4.26	15W-G400	15W-R400



**Bevel Seat Elbows**

**A**<sup>621</sup>  
**3**  
63-04

**Threaded Bevel Seat x Threaded Bevel Seat 90° Elbows - B2C**



Tube O.D.	A (in)	304 Stainless Steel Part #
1"	2.22	B2C-G100
1-1/2"	2.97	B2C-G150
2"	3.75	B2C-G200
2-1/2"	4.63	B2C-G250
3"	5.41	B2C-G300
4"	7.03	B2C-G400

**A**<sup>621</sup>  
**3**  
63-04

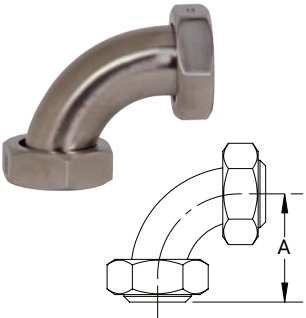
**Threaded Bevel Seat x Plain Bevel Seat with Hex Nut 90° Elbows - B2F**



Tube O.D.	A (in)	304 Stainless Steel Part #
1"	2.22	B2F-G100
1-1/2"	2.97	B2F-G150
2"	3.75	B2F-G200
2-1/2"	4.63	B2F-G250
3"	5.41	B2F-G300
4"	7.03	B2F-G400

**A**<sup>621</sup>  
**3**  
63-04

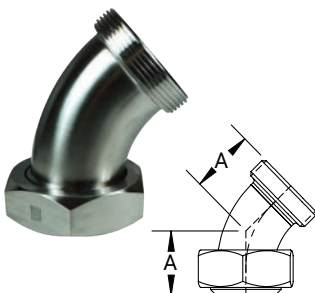
**Plain Bevel Seat x Plain Bevel Seat with Hex Nut 90° Elbows - B2E**



Tube O.D.	A (in)	304 Stainless Steel Part #
1"	2.22	B2E-G100
1-1/2"	2.97	B2E-G150
2"	3.75	B2E-G200
2-1/2"	4.63	B2E-G250
3"	5.41	B2E-G300
4"	7.03	B2E-G400

**A**<sup>621</sup>  
**3**  
63-04

**Threaded Bevel Seat x Plain Bevel Seat with Hex Nut 45° Elbows - B2P**



Tube O.D.	A (in)	304 Stainless Steel Part #
1"	1.34	B2P-G100
1-1/2"	1.66	B2P-G150
2"	2.00	B2P-G200
2-1/2"	2.44	B2P-G250
3"	2.78	B2P-G300
4"	3.53	B2P-G400

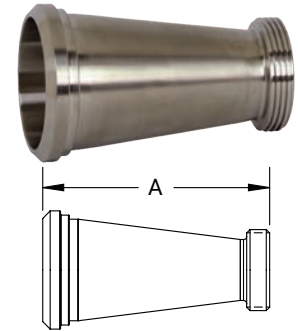


## Bevel Seat Concentric Reducers

### Plain Bevel Seat x Threaded Bevel Seat Concentric Reducers - B3115F

621  
A  
3  
63-04

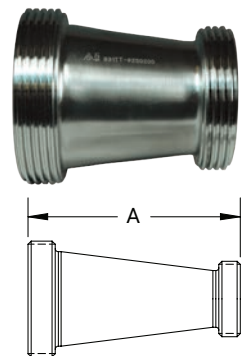
Tube O.D.	A (in)	304 Stainless Steel Part #
1-1/2" x 1"	3.44	B3115F-G150100
2" x 1-1/2"	3.47	B3115F-G200150
2-1/2" x 2"	3.63	B3115F-G250200
3" x 2"	5.66	B3115F-G300200
3" x 2-1/2"	3.78	B3115F-G300250
4" x 3"	5.94	B3115F-G400300



### Threaded Bevel Seat x Threaded Bevel Seat Concentric Reducers - B31TT

621  
A  
3  
63-04

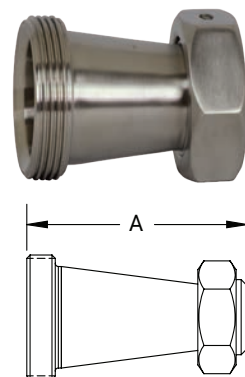
Tube O.D.	A (in)	304 Stainless Steel Part #
1-1/2" x 1"	3.44	B31TT-G150100
2" x 1-1/2"	3.47	B31TT-G200150
2-1/2" x 2"	3.63	B31TT-G250200
3" x 2"	5.66	B31TT-G300200
3" x 2-1/2"	3.78	B31TT-G300250
4" x 3"	5.94	B31TT-G400300



### Threaded Bevel Seat x Plain Bevel Seat with Hex Nut Concentric Reducers - B31TP

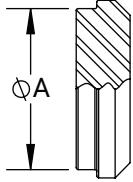
621  
A  
3  
63-04

Tube O.D.	A (in)	304 Stainless Steel Part #
1-1/2" x 1"	3.44	B31TP-G150100
2" x 1-1/2"	3.47	B31TP-G200150
2-1/2" x 2"	3.63	B31TP-G250200
3" x 2"	5.66	B31TP-G300200
3" x 2-1/2"	3.78	B31TP-G300250
4" x 3"	5.94	B31TP-G400300



**Bevel Seat End Caps**

621  
3  
63-04

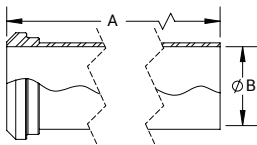


**Plain Bevel Seat Solid End Caps - 16A**

Size	A (in)	304 Stainless Steel Part #	316L Stainless Steel Part #
1"	1.16	16A-G100	16A-R100
1-1/2"	1.67	16A-G150	16A-R150
2"	2.19	16A-G200	16A-R200
2-1/2"	2.71	16A-G250	16A-R250
3"	3.22	16A-G300	16A-R300
4"	4.26	16A-G400	16A-R400

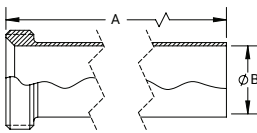
**Bevel Seat Adapters**

**Plain Bevel Seat Tygon® Hose Adapters - 14AHT**



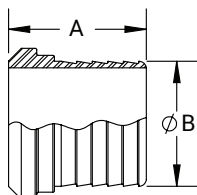
Tube O.D.	A (in)	B (in)	304 Stainless Steel Part #
1"	4.69	.87	14AHT-G100
1-1/2"	4.72	1.37	14AHT-G150
2"	4.72	1.87	14AHT-G200
2-1/2"	4.84	2.37	14AHT-G250
3"	4.91	2.87	14AHT-G300
4"	5.22	3.83	14AHT-G400

**Threaded Bevel Seat Tygon® Hose Adapters - 15AHT**



Tube O.D.	A (in)	B (in)	304 Stainless Steel Part #
1"	4.50	.87	15AHT-G100
1-1/2"	4.50	1.37	15AHT-G150
2"	4.50	1.87	15AHT-G200
2-1/2"	4.50	2.37	15AHT-G250
3"	4.50	2.87	15AHT-G300
4"	5.00	3.83	15AHT-G400

**Plain Bevel Seat Rubber Hose Adapters - 14AHR**



Tube O.D.	A (in)	B (in)	304 Stainless Steel Part #
1"	1.69	1.03	14AHR-G100
1-1/2"	1.69	1.53	14AHR-G150
2"	2.31	2.03	14AHR-G200
2-1/2"	2.67	2.53	14AHR-G250
3"	3.10	3.03	14AHR-G300
4"	4.00	4.06	14AHR-G400

## Dixon Sanitary I-Line/Q-Line Fittings

### A Complete I-Line Connection

**Sizes**

- 1" - 8" O.D. tube I-line (1" - 3" stocked, 4" - 8" special order)
- 1" - 4" O.D. tube Q-Line

**Materials**

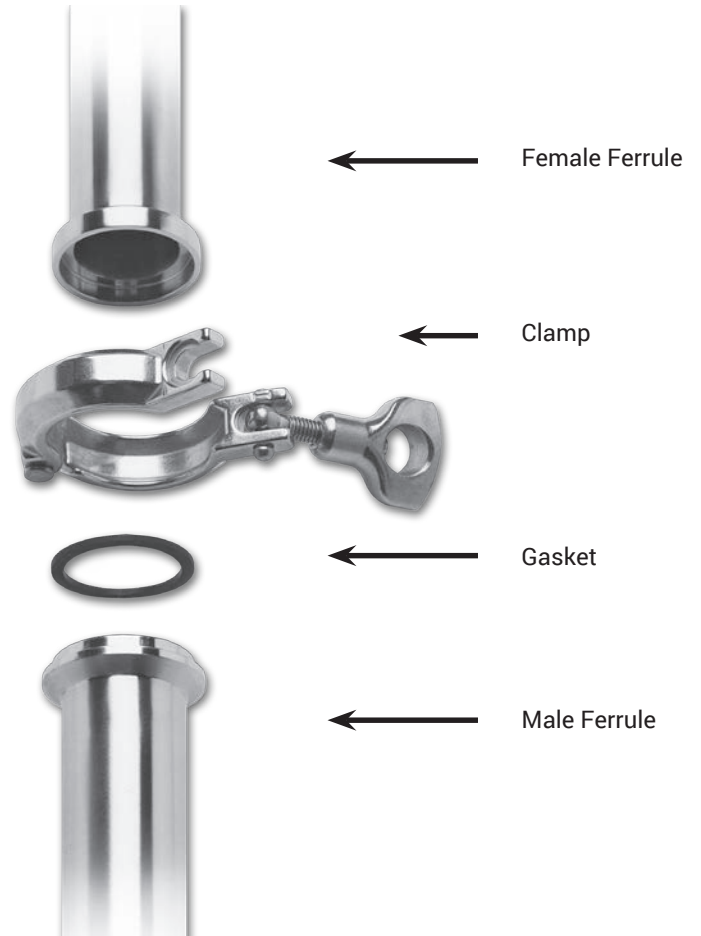
- G = 304 stainless steel
- R = 316L stainless steel
- Other alloys are available

**Feature**

- 3A sanitary finish I.D. and O.D.

**Primary Markets**

- Found in the food processing, beverage, dairy, personal care, and winery markets



**Dimensions of stainless steel tube**

Tube O.D.	Nominal Wall Thickness (in)
1"	.065
1-1/2"	.065
2"	.065
2-1/2"	.065
3"	.065
4"	.083
6"	.109
8"	.109

### I-line / Q-line Clamps

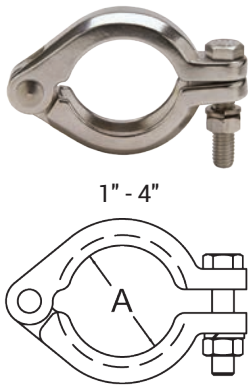
#### Heavy Duty Clamps - 13ILH



Tube O.D.	Service Pressure Rating PSI @ 70°F (21°C) <sup>1</sup>	Service Pressure Rating PSI @ 250°F (121°C) <sup>1</sup>	A (in)	Part #
1"- 1-1/2"	700	250	2.12	13ILH100-150
2"	450	250	2.65	13ILH200
2-1/2"	450	200	3.19	13ILH250
3"	350	150	3.72	13ILH300
4"	200	125	4.82	13ILH400
6"	150	100	7.69	13ILH600
8"	125	75	9.69	13ILH800

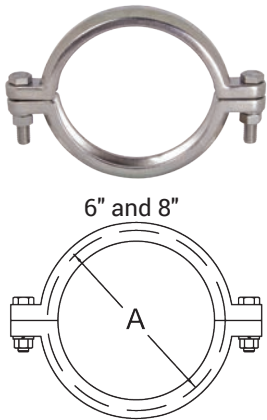
<sup>1</sup> Wing nut tightened to 25 in-lb of torque

#### Bolted Clamps - 13ILB



Tube O.D.	Service Pressure Rating PSI @ 70°F (21°C) <sup>1</sup>	Service Pressure Rating PSI @ 250°F (121°C) <sup>1</sup>	A (in)	Part #
1"- 1-1/2"	1220	1100	2.12	13ILB100-150
2"	900	830	2.65	13ILB200
2-1/2"	720	660	3.19	13ILB250
3"	600	550	3.72	13ILB300
4"	570	525	4.82	13ILB400

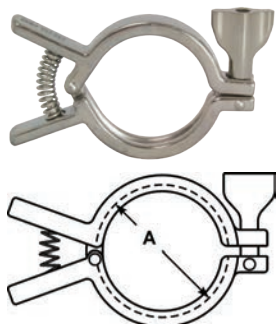
<sup>1</sup> Nut tightened to 20 ft-lb of torque



Tube O.D.	Service Pressure Rating PSI @ 70°F (21°C) <sup>1</sup>	Service Pressure Rating PSI @ 250°F (121°C) <sup>1</sup>	A (in)	Part #
6"	300	200	7.69	13ILB600
8"	250	150	9.69	13ILB800

<sup>1</sup> Nut tightened to 20 ft-lb of torque

#### Squeeze Clamps - 13IL-Q



Tube O.D.	Service Pressure Rating PSI @ 70°F (21°C) <sup>1</sup>	Service Pressure Rating PSI @ 250°F (121°C) <sup>1</sup>	A (in)	Part #
1"- 1-1/2"	700	250	2.12	13IL-Q100150
2"	450	250	2.65	13IL-Q200

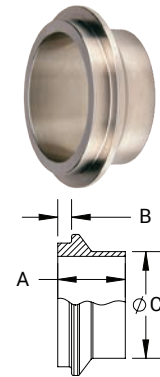
<sup>1</sup> Wing nut tightened to 25 in-lb of torque

## I-Line/Q-Line - Ferrules

### Male I-Line Short Weld Ferrules - 14WI

621  
3  
63-04

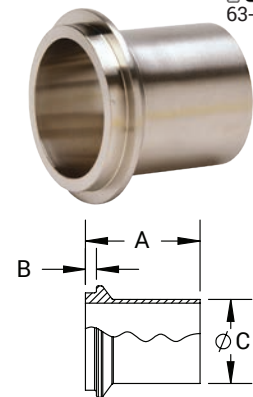
Tube O.D.	A (in)	B (in)	C (in)	Nominal Wall (in)	304 Stainless Steel Part #	316L Stainless Steel Part #
1"	.79	.19	1.00	.065	14WI-G100	14WI-R100
1-1/2"	.95	.20	1.50	.065	14WI-G150	14WI-R150
2"	1.04	.26	2.00	.065	14WI-G200	14WI-R200
2-1/2"	1.16	.31	2.50	.065	14WI-G250	14WI-R250
3"	1.22	.31	3.00	.065	14WI-G300	14WI-R300
4"	1.35	.31	4.00	.083	14WI-G400	14WI-R400
6"	1.13	.19	6.00	.109	---	14WI-R600
8"	1.13	.19	8.00	.109	---	14WI-R800



### Male I-Line Long Weld Ferrules - 14WLI

621  
3  
63-04

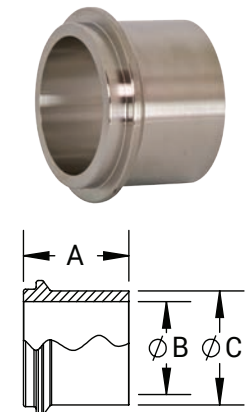
Tube O.D.	A (in)	B (in)	C (in)	Nominal Wall (in)	304 Stainless Steel Part #	316L Stainless Steel Part #
1"	1.75	0.19	1.00	.065	14WLI-G100	14WLI-R100
1-1/2"	2.04	0.20	1.50	.065	14WLI-G150	14WLI-R150
2"	2.32	0.26	2.00	.065	14WLI-G200	14WLI-R200
2-1/2"	2.50	0.31	2.50	.065	14WLI-G250	14WLI-R250
3"	2.68	0.31	3.00	.065	14WLI-G300	14WLI-R300
4"	3.00	0.31	4.00	.083	14WLI-G400	14WLI-R400
6"	2.88	0.19	6.00	.109	14WLI-G600	14WLI-R600



### Male I-Line Heavy Wall Tank Weld Ferrules - 14WHI

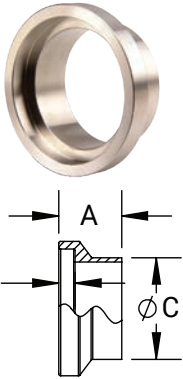
621  
3  
63-04

Tube O.D.	A (in)	B (in)	C (in)	Nominal Wall (in)	304 Stainless Steel Part #	316L Stainless Steel Part #
1"	1.50	.87	1.25	.065	14WHI-G100	14WHI-R100
1-1/2"	1.63	1.37	1.69	.065	14WHI-G150	14WHI-R150
2"	1.75	1.87	2.25	.065	14WHI-G200	14WHI-R200
2-1/2"	1.75	2.37	2.75	.065	14WHI-G250	14WHI-R250
3"	1.81	2.87	3.31	.065	14WHI-G300	14WHI-R300
4"	2.13	3.83	4.25	.083	14WHI-G400	14WHI-R400
6"	3.00	5.78	6.88	.109	---	14WHI-R600



I-Line/Q-Line - Ferrules

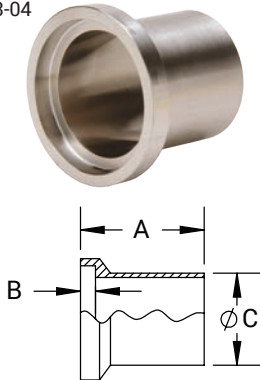
**A**<sup>621</sup>  
**3**  
63-04



Female I-Line Short Weld Ferrules - 15WI

Tube O.D.	A (in)	B (in)	C (in)	Nominal Wall (in)	304 Stainless Steel Part #	316L Stainless Steel Part #
1"	.79	.25	1.00	.065	15WI-G100	15WI-R100
1-1/2"	.95	.25	1.50	.065	15WI-G150	15WI-R150
2"	1.04	.31	2.00	.065	15WI-G200	15WI-R200
2-1/2"	1.16	.36	2.50	.065	15WI-G250	15WI-R250
3"	1.22	.36	3.00	.065	15WI-G300	15WI-R300
4"	1.35	.36	4.00	.083	15WI-G400	15WI-R400
6"	1.13	.24	6.00	.109	---	15WI-R600
8"	1.13	.24	8.00	.109	---	15WI-R800

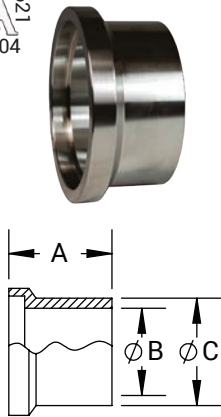
**A**<sup>621</sup>  
**3**  
63-04



Female I-Line Long Weld Ferrules - 15WLI

Tube O.D.	A (in)	B (in)	C (in)	Nominal Wall (in)	304 Stainless Steel Part #	316L Stainless Steel Part #
1"	1.75	.25	1.00	.065	15WLI-G100	15WLI-R100
1-1/2"	2.03	.25	1.50	.065	15WLI-G150	15WLI-R150
2"	2.31	.31	2.00	.065	15WLI-G200	15WLI-R200
2-1/2"	2.50	.36	2.50	.065	15WLI-G250	15WLI-R250
3"	2.69	.36	3.00	.065	15WLI-G300	15WLI-R300
4"	3.00	.36	4.00	.083	15WLI-G400	15WLI-R400
6"	3.00	.24	6.00	.109	---	15WLI-R600

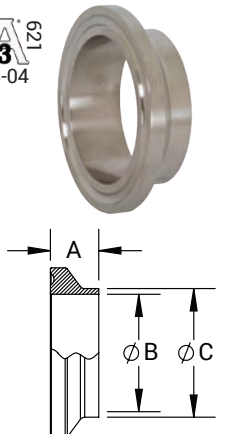
**A**<sup>621</sup>  
**3**  
63-04



Female I-Line Heavy Wall Tank Weld Ferrules - 15WHI

Size	A (in)	B (in)	C (in)	304 Stainless Steel Part #	316L Stainless Steel Part #
1"	1.50	.87	1.25	15WHI-G100	15WHI-R100
1-1/2"	1.63	1.37	1.69	15WHI-G150	15WHI-R150
2"	1.75	1.87	2.25	15WHI-G200	15WHI-R200
2-1/2"	1.75	2.37	2.75	15WHI-G250	15WHI-R250
3"	1.81	2.87	3.31	15WHI-G300	15WHI-R300
4"	2.13	3.83	4.25	15WHI-G400	15WHI-R400

**A**<sup>621</sup>  
**3**  
63-04



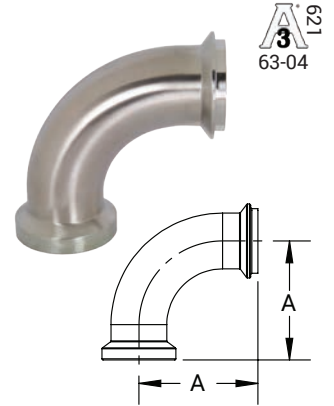
Q-Line Weld Ferrules - 14WQ

Tube O.D.	A (in)	B (in)	C (in)	Nominal Wall (in)	304 Stainless Steel Part #
1"	.53	.87	1.00	.065	14WQ-G100
1-1/2"	.56	1.37	1.50	.065	14WQ-G150
2"	.81	1.87	2.00	.065	14WQ-G200
2-1/2"	.94	2.37	2.50	.065	14WQ-G250
3"	.94	2.87	3.00	.065	14WQ-G300
4"	1.00	3.83	4.00	.083	14WQ-G400

### I-Line/Q-Line - Elbows

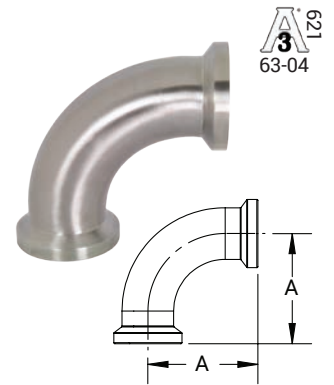
#### 90° Female I-Line x Male I-Line Elbows - B2FI

Tube O.D.	A (in)	304 Stainless Steel Part #
1"	2.29	B2FI-G100
1-1/2"	3.20	B2FI-G150
2"	4.04	B2FI-G200
2-1/2"	4.91	B2FI-G250
3"	5.72	B2FI-G300
4"	7.35	B2FI-G400



#### 90° Female I-Line Elbows - B2CI

Tube O.D.	A (in)	304 Stainless Steel Part #
1"	2.29	B2CI-G100
1-1/2"	3.20	B2CI-G150
2"	4.04	B2CI-G200
2-1/2"	4.91	B2CI-G250
3"	5.72	B2CI-G300
4"	7.35	B2CI-G400



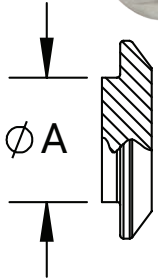
#### 90° Male I-Line Elbows - B2EI

Tube O.D.	A (in)	304 Stainless Steel Part #
1"	2.29	B2EI-G100
1-1/2"	3.20	B2EI-G150
2"	4.04	B2EI-G200
2-1/2"	4.91	B2EI-G250
3"	5.72	B2EI-G300
4"	7.35	B2EI-G400



I-Line / Q-Line - End Caps

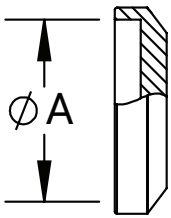
**A**<sup>621</sup>  
**3**  
63-04



Male I-Line Solid End Caps - 16AI-14I

Size	A (in)	304 Stainless Steel Part #	316L Stainless Steel Part #
1"	1.25	16AI-14I100	16AI-14I100R
1-1/2"	1.74	16AI-14I150	16AI-14I150R
2"	2.24	16AI-14I200	16AI-14I200R
2-1/2"	2.74	16AI-14I250	16AI-14I250R
3"	3.30	16AI-14I300	16AI-14I300R
4"	4.30	16AI-14I400	16AI-14I400R
6"	6.83	16AI-14I600	16AI-14I600R
8"	8.83	---	16AI-14I800R

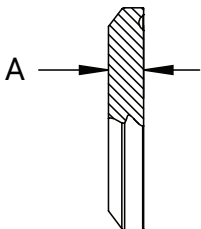
**A**<sup>621</sup>  
**3**  
63-04



Female I-Line Solid End Caps - 16AI-15I

Size	A (in)	304 Stainless Steel Part #	316L Stainless Steel Part #
1"	1.27	16AI-15I100	16AI-15I100R
1-1/2"	1.76	16AI-15I150	16AI-15I150R
2"	2.26	16AI-15I200	16AI-15I200R
2-1/2"	2.76	16AI-15I250	16AI-15I250R
3"	3.32	16AI-15I300	16AI-15I300R
4"	4.32	16AI-15I400	16AI-15I400R
6"	6.92	16AI-15I600	16AI-15I600R
8"	8.92	---	16AI-15I800R

**A**<sup>621</sup>  
**3**  
63-04



Q-Line Solid End Caps - 16AQ

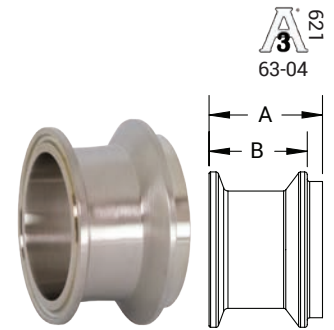
Size	A (in)	304 Stainless Steel Part #
1"	0.19	16AQ-G100
1-1/2"	0.19	16AQ-G150
2"	0.25	16AQ-G200
2-1/2"	0.26	16AQ-G250
3"	0.26	16AQ-G300
4"	0.25	16AQ-G400



## I-Line/Q-Line Adapters

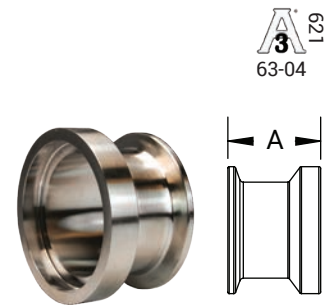
### Male I-Line x Clamp Adapters - 17-14I-14MP

Tube O.D.	A (in)	B (in)	304 Stainless Steel Part #
1"	1.29	1.10	17-14I-14MPG100
1-1/2"	1.45	1.26	17-14I-14MPG150
2"	1.54	1.29	17-14I-14MPG200
2-1/2"	1.66	1.35	17-14I-14MPG250
3"	1.72	1.41	17-14I-14MPG300
4"	1.98	1.67	17-14I-14MPG400



### Female I-Line x Clamp Adapters - 17-15I-14MP

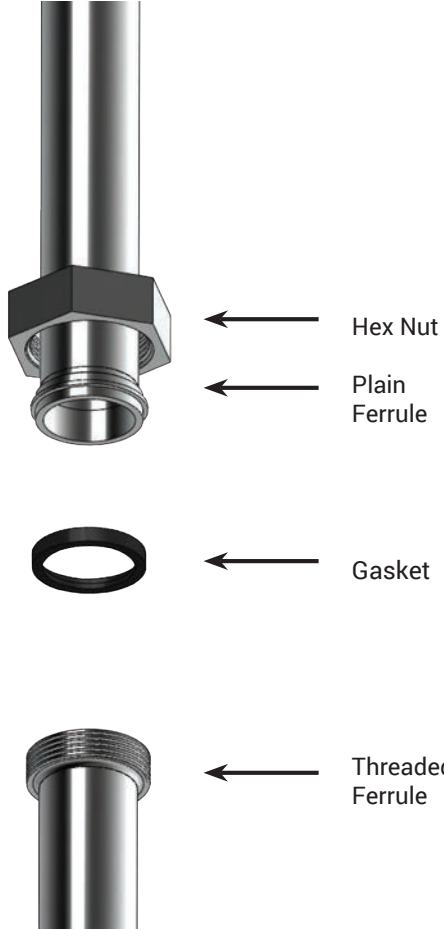
Tube O.D.	A (in)	304 Stainless Steel Part #
1"	1.28	17-15I-14MPG100
1-1/2"	1.45	17-15I-14MPG150
2"	1.54	17-15I-14MPG200
2-1/2"	1.63	17-15I-14MPG250
3"	1.72	17-15I-14MPG300
4"	1.97	17-15I-14MPG400





## Dixon Sanitary John Perry Fittings

### A Complete John Perry Connection



**Sizes**

- 1" - 4" O.D. tube

**Materials**

- G = 304 stainless steel
- R = 316L stainless steel
- Other alloys are available

**Feature**

- 3A sanitary finish I.D. and O.D.

**Primary Markets**

- Found in the beverage and dairy markets

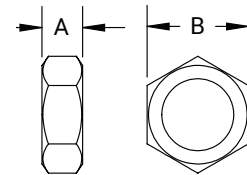
**Dimensions of stainless steel tube**

Tube OD	Nominal Wall Thickness (in)
1"	.065
1-1/2"	.065
2"	.065
2-1/2"	.065
3"	.065
4"	.083

## John Perry Nuts

### Union Hex Nuts - 13H

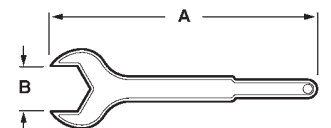
Tube O.D.	A (in)	B (in)	304 Stainless Steel (CF8) Part #
1"	.91	1.81	13H-G100
1-1/2"	.97	2.41	13H-G150
2"	1.06	3.00	13H-G200
2-1/2"	1.19	3.59	13H-G250
3"	1.28	4.19	13H-G300
4"	1.50	5.44	13H-G400



## John Perry Wrenches

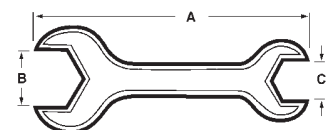
### Single-Side Hex Wrenches - 25H

Tube O.D.	A (in)	B (in)	Weight lbs.	Aluminum Part #
1"	10.50	1.81	.64	25H-100
1-1/2"	12.00	2.41	.86	25H-150
2"	14.00	3.00	1.76	25H-200
2-1/2"	16.25	3.59	2.40	25H-250
3"	18.50	4.19	3.04	25H-300
4"	19.50	5.44	3.62	25H-400



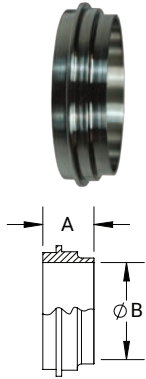
### Two-Sided Hex Wrenches - 25H

Tube O.D.	A (in)	B (in)	C (in)	Weight lbs.	Aluminum Part #
1-1/2" x 1"	12.00	2.41	1.81	1.00	25H-150100
2" x 1-1/2"	14.00	3.00	2.41	1.75	25H-200150
2-1/2" x 2"	16.50	3.59	3.00	2.80	25H-250200
3" x 2"	18.00	4.19	3.00	3.20	25H-300200
3" x 2-1/2"	18.00	4.19	3.59	3.70	25H-300250



John Perry Ferrules

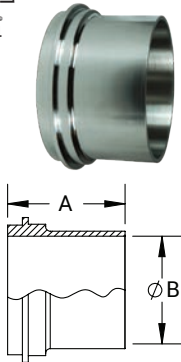
621  
3  
63-04



John Perry Short Plain Weld Ferrules - 14PRFJP

Tube O.D.	A (in)	B (in)	Nominal Wall (in)	304 Stainless Steel Part #	316L Stainless Steel Part #
1"	.69	.87	.065	14PRFJP-G100	14PRFJP-R100
1-1/2"	.72	1.37	.065	14PRFJP-G150	14PRFJP-R150
2"	.72	1.87	.065	14PRFJP-G200	14PRFJP-R200
2-1/2"	.84	2.37	.065	14PRFJP-G250	14PRFJP-R250
3"	.91	2.87	.065	14PRFJP-G300	14PRFJP-R300
4"	1.22	3.83	.083	14PRFJP-G400	14PRFJP-R400

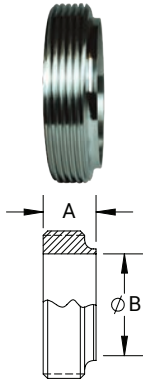
621  
3  
63-04



John Perry Long Plain Weld Ferrules - L14AJP

Tube O.D.	A (in)	B (in)	Nominal Wall (in)	304 Stainless Steel Part #	316L Stainless Steel Part #
1"	1.38	.87	.065	L14AJP-G100	L14AJP-R100
1-1/2"	1.50	1.37	.065	L14AJP-G150	L14AJP-R150
2"	1.50	1.87	.065	L14AJP-G200	L14AJP-R200
2-1/2"	1.75	2.37	.065	L14AJP-G250	L14AJP-R250
3"	1.75	2.87	.065	L14AJP-G300	L14AJP-R300
4"	1.75	3.83	.083	L14AJP-G400	L14AJP-R400

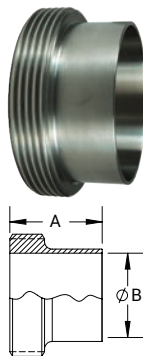
621  
3  
63-04



John Perry Threaded Short Weld Ferrules - 15TRFJP

Tube O.D.	A (in)	B (in)	Nominal Wall (in)	304 Stainless Steel Part #	316L Stainless Steel Part #
1"	.69	.87	.065	15TRFJP-G100	15TRFJP-R100
1-1/2"	.72	1.37	.065	15TRFJP-G150	15TRFJP-R150
2"	.72	1.87	.065	15TRFJP-G200	15TRFJP-R200
2-1/2"	.84	2.37	.065	15TRFJP-G250	15TRFJP-R250
3"	.91	2.87	.065	15TRFJP-G300	15TRFJP-R300
4"	1.22	3.83	.083	15TRFJP-G400	15TRFJP-R400

621  
3  
63-04



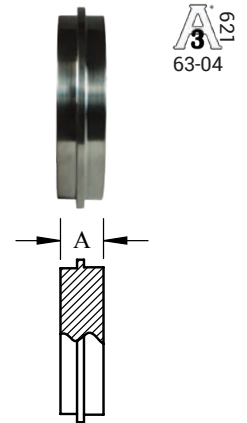
John Perry Threaded Long Weld Ferrules - L15AJP

Tube O.D.	A (in)	B (in)	Nominal Wall (in)	304 Stainless Steel Part #	316L Stainless Steel Part #
1"	1.38	.87	.065	L15AJP-G100	L15AJP-R100
1-1/2"	1.50	1.37	.065	L15AJP-G150	L15AJP-R150
2"	1.50	1.87	.065	L15AJP-G200	L15AJP-R200
2-1/2"	1.75	2.37	.065	L15AJP-G250	L15AJP-R250
3"	1.75	2.87	.065	L15AJP-G300	L15AJP-R300
4"	1.75	3.83	.083	L15AJP-G400	L15AJP-R400

## John Perry End Caps

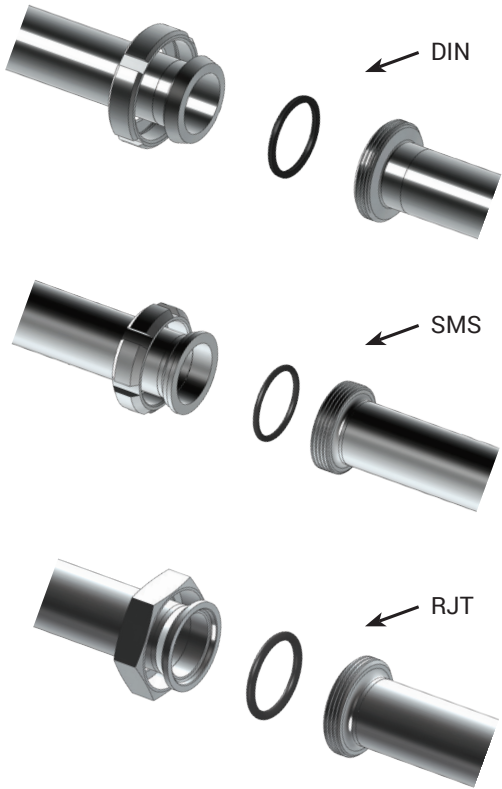
### John Perry Solid End Caps - 16AJP

Size	A (in)	304 Stainless Steel Part #	316L Stainless Steel Part #
1"	.47	16AJP-G100	16AJP-R100
1-1/2"	.48	16AJP-G150	16AJP-R150
2"	.53	16AJP-G200	16AJP-R200
2-1/2"	.55	16AJP-G250	16AJP-R250
3"	.61	16AJP-G300	16AJP-R300
4"	.69	16AJP-G400	16AJP-R400



## Dixon Sanitary Euro Fittings

### European Connections



**Sizes**

- 1" - 4" nominal diameter

**Materials**

- G = 304 stainless steel
- R = 316 stainless steel

**Feature**

- 3A sanitary finish I.D. and O.D.

**Primary Markets**

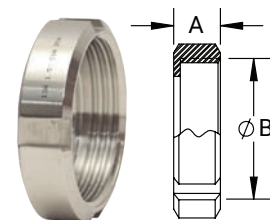
- Found in the food processing, beverage, and brewery markets

NOTE: For Dixon Euro fittings, the weld side of the fitting is manufactured to Imperial Tube dimensions.

## European Fittings - DIN

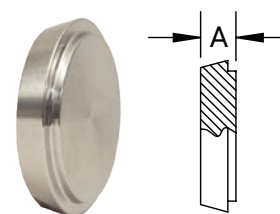
### DIN Round Nuts - 13R

Size	A (mm)	B (mm)	304 Stainless Steel Part #
1"	21.0	Rd 52 x 1/6"	13R-G100DIN
1-1/2"	21.0	Rd 65 x 1/6"	13R-G150DIN
2"	22.0	Rd 78 x 1/6"	13R-G200DIN
2-1/2"	25.0	Rd 95 x 1/6"	13R-G250DIN
3"	29.0	Rd 110 x 1/4"	13R-G300DIN
4"	31.0	Rd 130 x 1/4"	13R-G400DIN



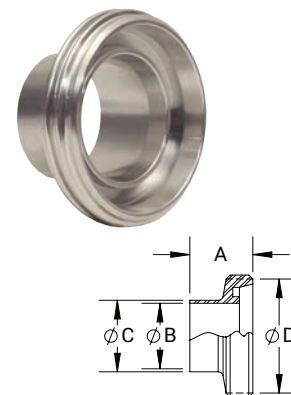
### DIN Blank Caps - 16AMP

Size	A (mm)	316 Stainless Steel Part #
1"	13.0	16AMP-R100DIN
1-1/2"	13.0	16AMP-R150DIN
2"	14.0	16AMP-R200DIN
2-1/2"	16.0	16AMP-R250DIN
3"	16.0	16AMP-R300DIN
4"	20.0	16AMP-R400DIN



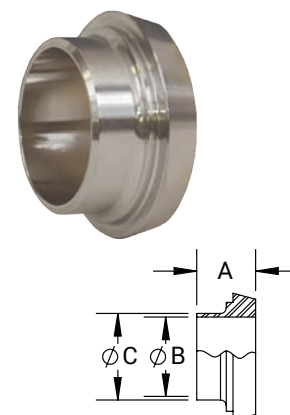
### DIN x Tube O.D. Welding Male Adapters - 15A

Tube O.D.	A (mm)	B (mm)	C (mm)	D (mm)	316 Stainless Steel Part #
1"	29.0	22.1	25.4	Rd 52 x 1/6"	15A-R100DIN
1-1/2"	33.0	34.8	38.1	Rd 65 x 1/6"	15A-R150DIN
2"	35.0	47.5	50.8	Rd 78 x 1/6"	15A-R200DIN
2-1/2"	40.0	60.2	63.5	Rd 95 x 1/6"	15A-R250DIN
3"	45.0	72.9	76.2	Rd 110 x 1/4"	15A-R300DIN
4"	54.0	97.4	101.6	Rd 130 x 1/4"	15A-R400DIN



### DIN x Tube O.D. Welding Liner Adapters - 14A

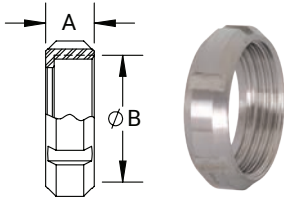
Tube O.D.	A (mm)	B (mm)	C (mm)	316 Stainless Steel Part #
1"	22.0	22.1	25.4	14A-R100DIN
1-1/2"	26.0	34.8	38.1	14A-R150DIN
2"	28.0	47.5	50.8	14A-R200DIN
2-1/2"	32.0	60.2	63.5	14A-R250DIN
3"	37.0	72.9	76.2	14A-R300DIN
4"	44.0	97.4	101.6	14A-R400DIN



NOTE: Manufactured in accordance to Imperial DIN 11851

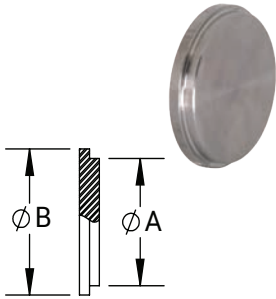
**SMS**

**SMS Round Nuts - 13R**



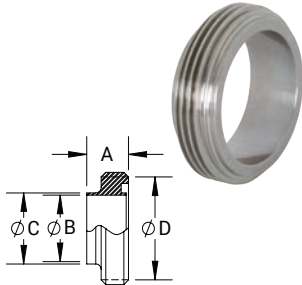
Size	A (mm)	B (mm)	304 Stainless Steel Part #
1"	19.0	Rd 40 x 1/6"	13R-G100SMS
1-1/2"	23.0	Rd 60 x 1/6"	13R-G150SMS
2"	24.0	Rd 70 x 1/6"	13R-G200SMS
2-1/2"	28.0	Rd 85 x 1/6"	13R-G250SMS
3"	30.0	Rd 98 x 1/6"	13R-G300SMS
4"	31.0	Rd 125 x 1/4"	13R-G400SMS

**SMS Blank Caps - 16AMP**



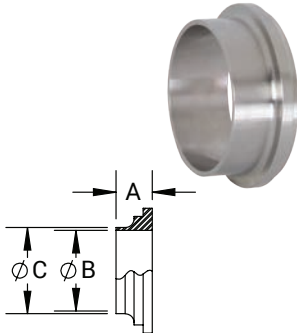
Size	A (mm)	B (mm)	316 Stainless Steel Part #
1"	32.0	35.5	16AMP-R100SMS
1-1/2"	47.9	55.0	16AMP-R150SMS
2"	60.4	65.0	16AMP-R200SMS
2-1/2"	73.5	80.0	16AMP-R250SMS
3"	86.5	93.0	16AMP-R300SMS
4"	112.5	118.0	16AMP-R400SMS

**SMS x Tube O.D. Adapters - 15A**



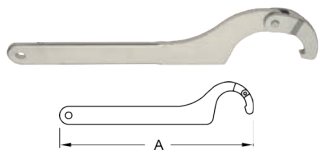
Tube O.D.	A (mm)	B (mm)	C (mm)	D (mm)	316 Stainless Steel Part #
1"	19.0	22.1	25.4	Rd 40 x 1/6"	15A-R100SMS
1-1/2"	23.0	34.8	38.1	Rd 60 x 1/6"	15A-R150SMS
2"	23.0	47.5	50.8	Rd 70 x 1/6"	15A-R200SMS
2-1/2"	27.0	60.2	63.5	Rd 85 x 1/6"	15A-R250SMS
3"	27.0	72.9	76.2	Rd 98 x 1/6"	15A-R300SMS
4"	30.0	97.4	101.6	Rd 125 x 1/4"	15A-R400SMS

**SMS x Tube O.D. Welding Liners - 14A**



Tube O.D.	A (mm)	B (mm)	C (mm)	316 Stainless Steel Part #
1"	15.5	22.1	25.4	14A-R100SMS
1-1/2"	16.0	34.8	38.1	14A-R150SMS
2"	17.0	47.5	50.8	14A-R200SMS
2-1/2"	17.0	60.2	63.5	14A-R250SMS
3"	19.0	72.9	76.2	14A-R300SMS
4"	19.0	97.4	101.6	14A-R400SMS

**DIN and SMS Spanner Wrenches - SP**



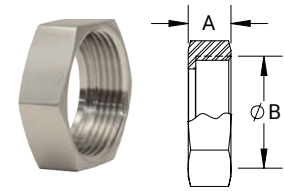
Used On Size	A (mm)	Nickel Plated Steel Part #
1" - 1-1/2"	247.7	DIN-SMS-60/90SP
2" - 4"	330.2	DIN-SMS90/155SP

NOTE: Manufactured in accordance to Swedish Milk Standard ISO 2037 and ISO 2851



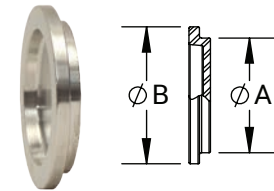
**European Fittings - RJT BS: 4825**  
RJT Hex Nuts - 13H

Size	A (mm)	B (mm)	304 Stainless Steel Part #
1"	22.2	42.3 x 8TPI WHIT	13H-G100RJT
1-1/2"	22.2	55.0 x 8TPI WHIT	13H-G150RJT
2"	22.2	67.9 x 6TPI WHIT	13H-G200RJT
2-1/2"	22.2	80.6 x 6TPI WHIT	13H-G250RJT
3"	22.2	93.3 x 6TPI WHIT	13H-G300RJT
4"	22.2	118.7 x 6TPI WHIT	13H-G400RJT



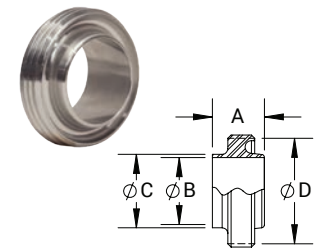
**RJT Blank Caps - 13RBN**

Size	A (mm)	B (mm)	304 Stainless Steel Part #
1"	32.5	41.3	13RBN-G100RJT
1-1/2"	45.2	54.0	13RBN-G150RJT
2"	57.9	66.7	13RBN-G200RJT
2-1/2"	70.6	79.4	13RBN-G250RJT
3"	83.3	92.1	13RBN-G300RJT
4"	108.7	117.5	13RBN-G400RJT



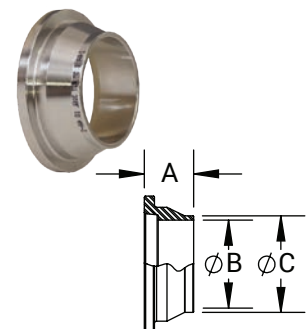
**RJT x Tube O.D. Adapters - 15A**

Tube O.D.	A (mm)	B (mm)	C (mm)	D (mm)	316 Stainless Steel Part #
1"	27.0	22.1	25.4	45.7 x 8T	15A-R100RJT
1-1/2"	27.0	34.8	38.1	58.4 x 8T	15A-R150RJT
2"	27.0	47.5	50.8	72.7 x 6T	15A-R200RJT
2-1/2"	27.0	60.2	63.5	85.4 x 6T	15A-R250RJT
3"	27.0	72.9	76.2	98.1 x 6T	15A-R300RJT
4"	27.0	97.4	101.6	123.5 x 6T	15A-R400RJT



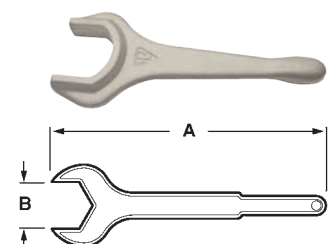
**RJT x Tube O.D. Welding Liners - 14A**

Tube O.D.	A (mm)	B (mm)	C (mm)	316 Stainless Steel Part #
1"	19.5	22.1	25.4	14A-R100RJT
1-1/2"	19.5	34.8	38.1	14A-R150RJT
2"	19.5	47.5	50.8	14A-R200RJT
2-1/2"	19.5	60.2	63.5	14A-R250RJT
3"	19.5	72.9	76.2	14A-R300RJT
4"	19.5	97.4	101.6	14A-R400RJT



**RJT Spanner Wrenches - SP**

Size	A (mm)	B (mm)	Aluminum Part #
1"	254.00	50.80	RJT-100SP
1-1/2"	292.10	65.02	RJT-150SP
2"	304.80	79.25	RJT-200SP
2-1/2"	342.80	91.95	RJT-250SP
3"	368.30	104.65	RJT-300SP
4"	444.50	130.05	RJT-400SP



NOTE: Manufactured in accordance to BS 4825.



## High Purity BioPharm Fittings

### BioPharm Fittings



**Sizes**

- 1/2" - 6" O.D. tube

**Features**

- PL finish - SF1
- PM finish - SF4

**Material**

- 316L stainless steel

**Primary Markets**

- Found in the bio-pharmaceutical and personal care markets when ASME BPE standards must be met. They are also found in the food processing, beverage, brewery, and oil extraction markets when using orbital welding.

### Dimensions of stainless steel tube

Tube O.D.	Nominal Wall Thickness (in)
1/2"	.065
3/4"	.065
1"	.065
1-1/2"	.065
2"	.065
2-1/2"	.065
3"	.065
4"	.083
6"	.109

All fittings are manufactured to meet the latest edition of the ASME BPE International Standard, Bioprocessing Equipment, unless otherwise specified.

316L stainless steel material and dimensions meet all orbital welding specifications with controlled sulphur.

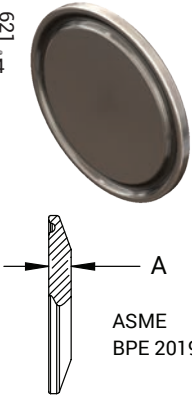
NOTE: Not all sizes and finishes are stocked

## BPE DT Table Reference Call Out

Part Description	2016 DT ASME-BPE 2016	2019 DT ASME-BPE 2019
T2S - 90° Elbow	DT-4.1.1-1	DT-4.1.1-1
T2CM - 90° Elbow, Clamp One End	DT-4.1.1-2	DT-4.1.1-2
T2CMP - 90° Elbow, Clamped	DT-4.1.1-3	DT-4.1.1-3
T2KS - 45° Elbow	DT-4.1.1-4	DT-4.1.1-4
T2KM - 45° Elbow, Clamp One End	DT-4.1.1-5	DT-4.1.1-5
T2KMP - 45° Elbow, Clamped	DT-4.1.1-6	DT-4.1.1-6
T7WWW - Equal Tee	DT-4.1.2-1	DT-4.1.2-1
T7WWMS - Short Outlet Tee	DT-4.1.2-2	DT-4.1.2-2
T7MP - Equal Tee, Clamped	DT-4.1.2-4	DT-4.1.2-4
T7MPS - Short Outlet Tee, Clamped	DT-4.1.2-5	DT-4.1.2-5
T7RWWW - Reducing Tee	DT-4.1.2-6	DT-4.1.2-6
T7RWWMS - Short Outlet Reducing Tee	DT-4.1.2-7	DT-4.1.2-7
T7RMP - Reducing Tee, Clamped	DT-4.1.2-8	DT-4.1.2-8
T7RMPS - Short Outlet Reducing Tee, Clamped	DT-4.1.2-9	DT-4.1.2-9
T7IWWMS - Instrument Tee	DT-4.1.2-10	DT-4.1.2-10
T7IMPS - Instrument Tee, Clamped	DT-4.1.2-11	DT-4.1.2-11
T31W - Long Concentric Reducer	DT-4.1.3-1	N/A
T32W - Long Eccentric Reducer	DT-4.1.3-1	N/A
2211C - Short Concentric Reducer	DT-4.1.3-1	DT-4.1.3-1
2211E - Short Eccentric Reducer	DT-4.1.3-1	DT-4.1.3-1
T31M - Long Concentric Reducer, Clamp Big End	DT-4.1.3-2	N/A
T32M - Long Eccentric Reducer, Clamp Big End	DT-4.1.3-2	N/A
2226C - Short Concentric Reducer, Clamp Big End	DT-4.1.3-2	DT-4.1.3-2
2226E - Short Eccentric Reducer, Clamp Big End	DT-4.1.3-2	DT-4.1.3-2
T3114MP - Long Concentric Reducer, Clamped	DT-4.1.3-3	N/A
T3214MP - Long Eccentric Reducer, Clamped	DT-4.1.3-3	N/A
2221C - Short Concentric Reducer, Clamped	DT-4.1.3-3	DT-4.1.3-3
2221E - Short Eccentric Reducer, Clamped	DT-4.1.3-3	DT-4.1.3-3
TL14AM7 - Long Weld Clamp Ferrule	DT-4.1.4-1	DT-4.1.4-1
T14WMP - Short Weld Clamp Ferrule	DT-4.1.4-1	DT-4.1.4-1
T16W - Weld Cap	DT-4.1.5-1	DT-4.1.5-1
T16AMP - End Cap, Clamped	DT-4.1.5-2	DT-4.1.5-2

High Purity BioPharm Fittings

ASME  
BPE 2019  
63-04

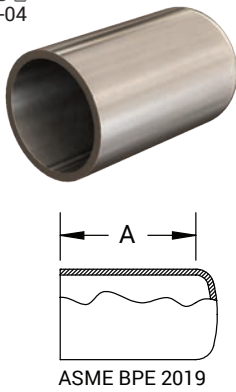


Solid End Caps - T16AMP

Tube O.D.	A (in)	PL Finish - SF1	PM Finish - SF4
1/2" - 3/4"	0.187	T16AMP-050075PL	T16AMP-050075PM
1" - 1-1/2"	0.250	T16AMP-100150PL	T16AMP-100150PM
2"	0.250	T16AMP-200PL	T16AMP-200PM
2-1/2"	0.250	T16AMP-250PL	T16AMP-250PM
3"	0.250	T16AMP-300PL	T16AMP-300PM
4"	0.312	T16AMP-400PL	T16AMP-400PM
6"	0.437	T16AMP-600PL	T16AMP-600PM

BPE Table DT-4.1.5-2

ASME  
BPE 2019  
63-04



Weld Caps - T16W

Tube O.D.	A (in)	Nominal Wall (in)	PL Finish - SF1	PM Finish - SF4
1/2"	1.500	0.065	T16W-050PL	T16W-050PM
3/4"	1.500	0.065	T16W-075PL	T16W-075PM
1"	1.500	0.065	T16W-100PL	T16W-100PM
1-1/2"	1.500	0.065	T16W-150PL	T16W-150PM
2"	1.500	0.065	T16W-200PL	T16W-200PM
2-1/2"	1.500	0.065	T16W-250PL	T16W-250PM
3"	1.500	0.065	T16W-300PL	T16W-300PM
4"	2.000	0.083	T16W-400PL	T16W-400PM
6"	2.500	0.109	T16W-600PL	T16W-600PM

BPE Table DT-4.1.5-1

NOTE: BPE 2019 Specifications

PL Finish – SF1

O.D. = 32Ra Mechanically Polished

I.D. = 20Ra Mechanically Polished

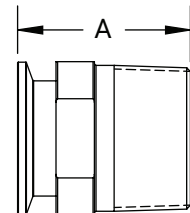
PM Finish – SF4

O.D. = 32Ra Mechanically Polished

I.D. = 15Ra Mechanically Polished and Electropolished

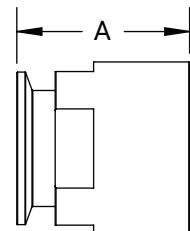
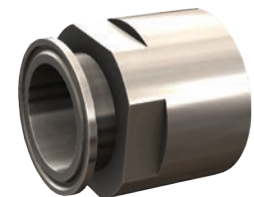
### High Purity BioPharm Line Clamp Adapter x Male NPT - T21MP

Clamp Size	NPT Thread Size	A (in)	PL Finish - SF1
1/2"	1/4"	2.00	T21MP-050025PL
	3/8"	2.00	T21MP-050375PL
	1/2"	1.63	T21MP-050PL
	3/4"	2.00	T21MP-050075PL
3/4"	1/4"	2.00	T21MP-075025PL
	3/8"	2.00	T21MP-075375PL
	1/2"	2.00	T21MP-075050PL
	3/4"	1.79	T21MP-075PL
1"	1/2"	2.19	T21MP-100050PL
	1"	2.25	T21MP-100PL
1-1/2"	1-1/2"	2.25	T21MP-150PL
2"	2"	2.64	T21MP-200PL
2-1/2"	2-1/2"	2.88	T21MP-250PL
3"	3"	3.07	T21MP-300PL
4"	4"	3.16	T21MP-400PL



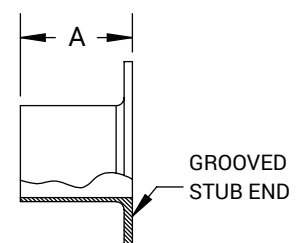
### Clamp Adapter x Female NPT - T22MP

Clamp Size	NPT Thread Size	A (in)	PL Finish - SF1
1/2"	1/8"	1.25	T22MP-050125PL
	1/4"	1.50	T22MP-050025PL
	3/8"	1.50	T22MP-050375PL
	1/2"	1.50	T22MP-050PL
	3/4"	1.63	T22MP-050075PL
3/4"	1/4"	1.50	T22MP-075025PL
	3/8"	1.50	T22MP-075375PL
	1/2"	1.50	T22MP-075050PL
	3/4"	1.63	T22MP-075PL
1"	1"	1.63	T22MP-100PL
1-1/2"	1-1/2"	2.25	T22MP-150PL
2"	2"	2.34	T22MP-200PL
2-1/2"	2-1/2"	2.09	T22MP-250PL
3"	3"	2.19	T22MP-300PL
4"	4"	2.63	T22MP-400PL



### Stub Adapters - T14VB

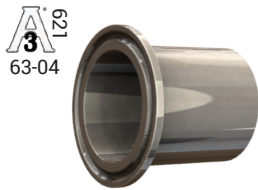
Tube O.D.	A (in)	PL Finish - SF1
1/2"	2.00	T14VB-050PL
3/4"	2.00	T14VB-075PL
1"	2.00	T14VB-100PL
1-1/2"	2.00	T14VB-150PL
2"	2.50	T14VB-200PL
2-1/2"	2.50	T14VB-250PL
3"	2.50	T14VB-300PL
4"	2.50	T14VB-400PL
6"	3.00	T14VB-600PL



PL Finish – SF1  
O.D. = 32Ra Mechanically Polished  
I.D. = 20Ra Mechanically Polished

PM Finish – SF4  
O.D. = 32Ra Mechanically Polished  
I.D. = 15Ra Mechanically Polished and Electropolished

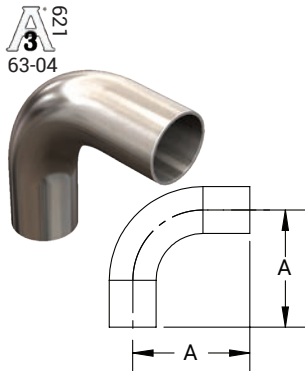
### High Purity BioPharm Fittings



BPE Table DT-4.1.4-1  
ASME BPE 2019

#### Automatic Weld Ferrules - TL14AM7

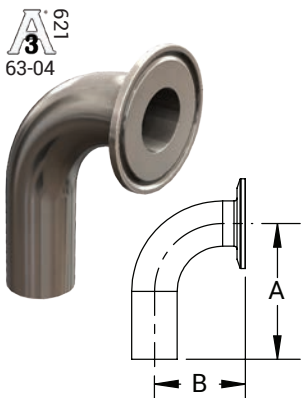
Tube O.D.	A (in)	B (in)	C (in)	Nominal Wall (in)	PL Finish - SF1	PM Finish - SF4
1/2"	1.750	0.375	0.500	0.065	TL14AM7-050PL	TL14AM7-050PM
3/4"	1.750	0.625	0.750	0.065	TL14AM7-075PL	TL14AM7-075PM
1"	1.750	0.875	1.000	0.065	TL14AM7-100PL	TL14AM7-100PM
1-1/2"	1.750	1.375	1.500	0.065	TL14AM7-150PL	TL14AM7-150PM
2"	2.250	1.875	2.000	0.065	TL14AM7-200PL	TL14AM7-200PM
2-1/2"	2.250	2.375	2.500	0.065	TL14AM7-250PL	TL14AM7-250PM
3"	2.250	2.875	3.000	0.065	TL14AM7-300PL	TL14AM7-300PM
4"	2.250	3.834	4.000	0.083	TL14AM7-400PL	TL14AM7-400PM
6"	3.000	5.782	6.000	0.109	TL14AM7-600PL	TL14AM7-600PM



BPE Table DT-4.1.1-1  
ASME BPE 2019

#### 90° Weld Elbows - T2S

Tube O.D.	A (in)	Nominal Wall (in)	PL Finish - SF1	PM Finish - SF4
1/2"	3.000	0.065	T2S-050PL	T2S-050PM
3/4"	3.000	0.065	T2S-075PL	T2S-075PM
1"	3.000	0.065	T2S-100PL	T2S-100PM
1-1/2"	3.750	0.065	T2S-150PL	T2S-150PM
2"	4.750	0.065	T2S-200PL	T2S-200PM
2-1/2"	5.500	0.065	T2S-250PL	T2S-250PM
3"	6.250	0.065	T2S-300PL	T2S-300PM
4"	8.000	0.083	T2S-400PL	T2S-400PM
6"	11.500	0.109	T2S-600PL	T2S-600PM



BPE Table DT-4.1.1-2  
ASME BPE 2019

#### 90° Clamp x Weld Elbows - T2CM

Tube O.D.	A (in)	B (in)	Nominal Wall (in)	PL Finish - SF1	PM Finish - SF4
1/2"	3.000	1.625	0.065	T2CM-050PL	T2CM-050PM
3/4"	3.000	1.625	0.065	T2CM-075PL	T2CM-075PM
1"	3.000	2.000	0.065	T2CM-100PL	T2CM-100PM
1-1/2"	3.750	2.750	0.065	T2CM-150PL	T2CM-150PM
2"	4.750	3.500	0.065	T2CM-200PL	T2CM-200PM
2-1/2"	5.500	4.250	0.065	T2CM-250PL	T2CM-250PM
3"	6.250	5.000	0.065	T2CM-300PL	T2CM-300PM
4"	8.000	6.625	0.083	T2CM-400PL	T2CM-400PM
6"	11.500	10.500	0.109	T2CM-600PL	T2CM-600PM



BPE Table DT-4.1.1-3  
ASME BPE 2019

#### 90° Clamp x Clamp Elbows - T2CMP

Tube O.D.	A (in)	PL Finish - SF1	PM Finish - SF4
1/2"	1.625	T2CMP-050PL	T2CMP-050PM
3/4"	1.625	T2CMP-075PL	T2CMP-075PM
1"	2.000	T2CMP-100PL	T2CMP-100PM
1-1/2"	2.750	T2CMP-150PL	T2CMP-150PM
2"	3.500	T2CMP-200PL	T2CMP-200PM
2-1/2"	4.250	T2CMP-250PL	T2CMP-250PM
3"	5.000	T2CMP-300PL	T2CMP-300PM
4"	6.625	T2CMP-400PL	T2CMP-400PM
6"	10.500	T2CMP-600PL	T2CMP-600PM

NOTE: BPE 2019 Specifications

PL Finish – SF1

O.D. = 32Ra Mechanically Polished

I.D. = 20Ra Mechanically Polished

PM Finish – SF4

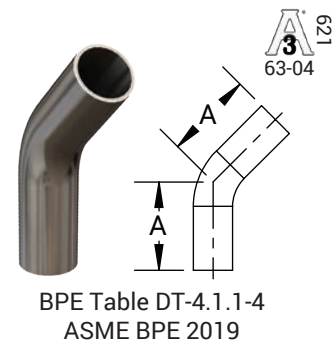
O.D. = 32Ra Mechanically Polished

I.D. = 15Ra Mechanically Polished and Electropolished

### High Purity BioPharm Fittings

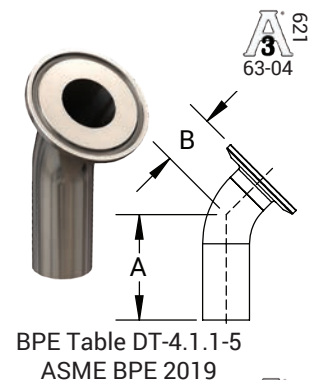
#### 45° Weld Elbows - T2KS

Tube O.D.	A (in)	Nominal Wall (in)	PL Finish - SF1	PM Finish - SF4
1/2"	2.250	0.065	T2KS-050PL	T2KS-050PM
3/4"	2.250	0.065	T2KS-075PL	T2KS-075PM
1"	2.250	0.065	T2KS-100PL	T2KS-100PM
1-1/2"	2.500	0.065	T2KS-150PL	T2KS-150PM
2"	3.000	0.065	T2KS-200PL	T2KS-200PM
2-1/2"	3.375	0.065	T2KS-250PL	T2KS-250PM
3"	3.625	0.065	T2KS-300PL	T2KS-300PM
4"	4.500	0.083	T2KS-400PL	T2KS-400PM
6"	6.250	0.109	T2KS-600PL	T2KS-600PM



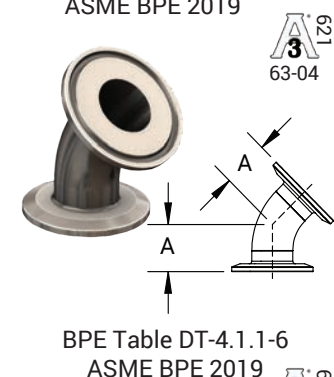
#### 45° Clamp x Weld Elbows - T2KM

Tube O.D.	A (in)	B (in)	Nominal Wall (in)	PL Finish - SF1	PM Finish - SF4
1/2"	2.250	1.000	0.065	T2KM-050PL	T2KM-050PM
3/4"	2.250	1.000	0.065	T2KM-075PL	T2KM-075PM
1"	2.250	1.125	0.065	T2KM-100PL	T2KM-100PM
1-1/2"	2.500	1.438	0.065	T2KM-150PL	T2KM-150PM
2"	3.000	1.750	0.065	T2KM-200PL	T2KM-200PM
2-1/2"	3.375	2.063	0.065	T2KM-250PL	T2KM-250PM
3"	3.625	2.375	0.065	T2KM-300PL	T2KM-300PM
4"	4.500	3.125	0.083	T2KM-400PL	T2KM-400PM
6"	6.250	5.250	0.109	T2KM-600PL	T2KM-600PM



#### 45° Clamp x Clamp Elbows - T2KMP

Tube O.D.	A (in)	PL Finish - SF1	PM Finish - SF4
1/2"	1.000	T2KMP-050PL	T2KMP-050PM
3/4"	1.000	T2KMP-075PL	T2KMP-075PM
1"	1.125	T2KMP-100PL	T2KMP-100PM
1-1/2"	1.438	T2KMP-150PL	T2KMP-150PM
2"	1.750	T2KMP-200PL	T2KMP-200PM
2-1/2"	2.063	T2KMP-250PL	T2KMP-250PM
3"	2.375	T2KMP-300PL	T2KMP-300PM
4"	3.125	T2KMP-400PL	T2KMP-400PM
6"	5.250	T2KMP-600PL	T2KMP-600PM



#### 88° Weld Elbows - T2S88

Tube O.D.	A (in)	R (in)	Nominal Wall (in)	PL Finish - SF1	PM Finish - SF4
1/2"	1.94	1.06	0.065	T2S88-050PL	T2S88-050PM
3/4"	1.98	1.02	0.065	T2S88-075PL	T2S88-075PM
1"	1.50	1.50	0.065	T2S88-100PL	T2S88-100PM
1-1/2"	1.50	2.25	0.065	T2S88-150PL	T2S88-150PM
2"	1.75	3.00	0.065	T2S88-200PL	T2S88-200PM
2-1/2"	1.75	3.75	0.065	T2S88-250PL	T2S88-250PM
3"	1.75	4.50	0.065	T2S88-300PL	T2S88-300PM
4"	2.00	6.00	0.083	T2S88-400PL	T2S88-400PM
6"	2.50	9.00	0.109	T2S88-600PL	T2S88-600PM



#### 92° Weld Elbows - T2S92

Tube O.D.	A (in)	R (in)	Nominal Wall (in)	PL Finish - SF1	PM Finish - SF4
1/2"	1.94	1.06	0.065	T2S92-050PL	T2S92-050PM
3/4"	1.98	1.02	0.065	T2S92-075PL	T2S92-075PM
1"	1.50	1.50	0.065	T2S92-100PL	T2S92-100PM
1-1/2"	1.50	2.25	0.065	T2S92-150PL	T2S92-150PM
2"	1.75	3.00	0.065	T2S92-200PL	T2S92-200PM
2-1/2"	1.75	3.75	0.065	T2S92-250PL	T2S92-250PM
3"	1.75	4.50	0.065	T2S92-300PL	T2S92-300PM
4"	2.00	6.00	0.083	T2S92-400PL	T2S92-400PM
6"	2.50	9.00	0.109	T2S92-600PL	T2S92-600PM



NOTE: BPE 2019 Specifications  
PL Finish – SF1

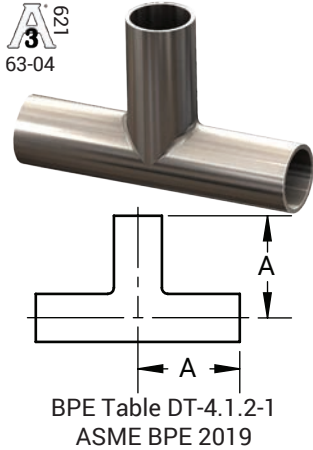
O.D. = 32Ra Mechanically Polished  
I.D. = 20Ra Mechanically Polished

PM Finish – SF4

O.D. = 32Ra Mechanically Polished  
I.D. = 15Ra Mechanically Polished and Electropolished

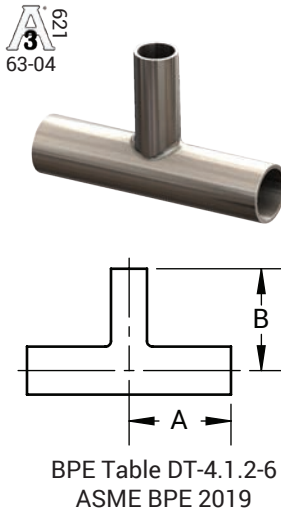
### High Purity BioPharm Fittings

#### Weld x Weld x Weld Tees - T7WWW



Tube O.D.	A (in)	Nominal Wall (in)	PL Finish - SF1	PM Finish - SF4
1/2"	1.875	0.065	T7WWW-050PL	T7WWW-050PM
3/4"	2.000	0.065	T7WWW-075PL	T7WWW-075PM
1"	2.125	0.065	T7WWW-100PL	T7WWW-100PM
1-1/2"	2.375	0.065	T7WWW-150PL	T7WWW-150PM
2"	2.875	0.065	T7WWW-200PL	T7WWW-200PM
2-1/2"	3.125	0.065	T7WWW-250PL	T7WWW-250PM
3"	3.375	0.065	T7WWW-300PL	T7WWW-300PM
4"	4.125	0.083	T7WWW-400PL	T7WWW-400PM
6"	5.625	0.109	T7WWW-600PL	T7WWW-600PM

#### Weld x Weld x Weld Reducing Tees - T7RWWW



Tube O.D.	A (in)	B (in)	Nominal Wall (in)	PL Finish - SF1	PM Finish - SF4
3/4" x 1/2"	2.000	2.000	0.065 x 0.065	T7RWWW-075050PL	T7RWWW-075050PM
1" X 1/2"	2.125	2.125	0.065 x 0.065	T7RWWW-100050PL	T7RWWW-100050PM
1" X 3/4"	2.125	2.125	0.065 x 0.065	T7RWWW-100075PL	T7RWWW-100075PM
1-1/2" X 1/2"	2.375	2.375	0.065 x 0.065	T7RWWW-150050PL	T7RWWW-150050PM
1-1/2" X 3/4"	2.375	2.375	0.065 x 0.065	T7RWWW-150075PL	T7RWWW-150075PM
1-1/2" X 1"	2.375	2.375	0.065 x 0.065	T7RWWW-150100PL	T7RWWW-150100PM
2 X 1/2"	2.875	2.625	0.065 x 0.065	T7RWWW-200050PL	T7RWWW-200050PM
2" X 3/4"	2.875	2.625	0.065 x 0.065	T7RWWW-200075PL	T7RWWW-200075PM
2" X 1"	2.875	2.625	0.065 x 0.065	T7RWWW-200100PL	T7RWWW-200100PM
2" X 1-1/2"	2.875	2.625	0.065 x 0.065	T7RWWW-200150PL	T7RWWW-200150PM
2-1/2" X 1/2"	3.125	2.875	0.065 x 0.065	T7RWWW-250050PL	T7RWWW-250050PM
2-1/2" X 3/4"	3.125	2.875	0.065 x 0.065	T7RWWW-250075PL	T7RWWW-250075PM
2-1/2" X 1"	3.125	2.875	0.065 x 0.065	T7RWWW-250100PL	T7RWWW-250100PM
2-1/2" X 1-1/2"	3.125	2.875	0.065 x 0.065	T7RWWW-250150PL	T7RWWW-250150PM
2-1/2" X 2"	3.125	2.875	0.065 x 0.065	T7RWWW-250200PL	T7RWWW-250200PM
3" X 1/2"	3.375	3.125	0.065 x 0.065	T7RWWW-300050PL	T7RWWW-300050PM
3" X 3/4"	3.375	3.125	0.065 x 0.065	T7RWWW-300075PL	T7RWWW-300075PM
3" X 1"	3.375	3.125	0.065 x 0.065	T7RWWW-300100PL	T7RWWW-300100PM
3" X 1-1/2"	3.375	3.125	0.065 x 0.065	T7RWWW-300150PL	T7RWWW-300150PM
3" X 2"	3.375	3.125	0.065 x 0.065	T7RWWW-300200PL	T7RWWW-300200PM
3" X 2-1/2"	3.375	3.125	0.065 x 0.065	T7RWWW-300250PL	T7RWWW-300250PM
4" X 1/2"	4.125	3.625	0.083 x 0.065	T7RWWW-400050PL	T7RWWW-400050PM
4" X 3/4"	4.125	3.625	0.083 x 0.065	T7RWWW-400075PL	T7RWWW-400075PM
4" X 1"	4.125	3.625	0.083 x 0.065	T7RWWW-400100PL	T7RWWW-400100PM
4" X 1-1/2"	4.125	3.625	0.083 x 0.065	T7RWWW-400150PL	T7RWWW-400150PM
4" X 2"	4.125	3.875	0.083 x 0.065	T7RWWW-400200PL	T7RWWW-400200PM
4" X 2-1/2"	4.125	3.875	0.083 x 0.065	T7RWWW-400250PL	T7RWWW-400250PM
4" X 3"	4.125	3.875	0.083 x 0.065	T7RWWW-400300PL	T7RWWW-400300PM
6" X 3"	5.625	4.875	0.109 x 0.065	T7RWWW-600300PL	T7RWWW-600300PM
6" X 4"	5.625	5.125	0.109 x 0.083	T7RWWW-600400PL	T7RWWW-600400PM

NOTE: BPE 2019 Specifications

PL Finish – SF1

O.D. = 32Ra Mechanically Polished

I.D. = 20Ra Mechanically Polished

PM Finish – SF4

O.D. = 32Ra Mechanically Polished

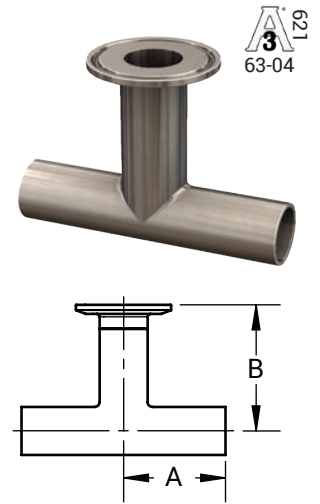
I.D. = 15Ra Mechanically Polished and Electropolished



### High Purity BioPharm Fittings

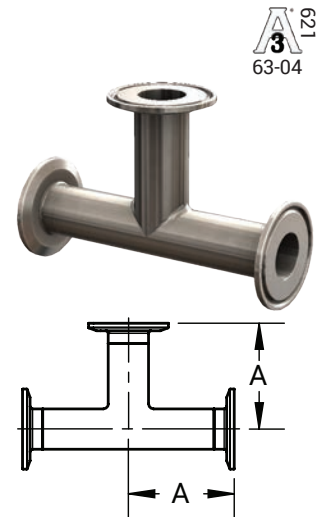
#### Weld x Weld x Clamp Tees - T7WWM

Tube O.D.	A (in)	B (in)	Nominal Wall (in)	PL Finish - SF1	PM Finish - SF4
1/2"	1.88	2.25	0.065	T7WWM-050PL	T7WWM-050PM
3/4"	2.00	2.38	0.065	T7WWM-075PL	T7WWM-075PM
1"	2.13	2.63	0.065	T7WWM-100PL	T7WWM-100PM
1-1/2"	2.38	2.88	0.065	T7WWM-150PL	T7WWM-150PM
2"	2.88	3.38	0.065	T7WWM-200PL	T7WWM-200PM
2-1/2"	3.13	3.63	0.065	T7WWM-250PL	T7WWM-250PM
3"	3.38	3.88	0.065	T7WWM-300PL	T7WWM-300PM
4"	4.13	4.75	0.083	T7WWM-400PL	T7WWM-400PM
6"	5.63	7.13	0.109	T7WWM-600PL	T7WWM-600PM



#### Clamp x Clamp x Clamp Tees - T7MP

Tube O.D.	A (in)	PL Finish - SF1	PM Finish - SF4
1/2"	2.375	T7MP-050PL	T7MP-050PM
3/4"	2.500	T7MP-075PL	T7MP-075PM
1"	2.625	T7MP-100PL	T7MP-100PM
1-1/2"	2.875	T7MP-150PL	T7MP-150PM
2"	3.375	T7MP-200PL	T7MP-200PM
2-1/2"	3.625	T7MP-250PL	T7MP-250PM
3"	3.875	T7MP-300PL	T7MP-300PM
4"	4.750	T7MP-400PL	T7MP-400PM
6"	7.125	T7MP-600PL	T7MP-600PM



BPE Table DT-4.1.2-4  
ASME BPE 2019

NOTE: BPE 2019 Specifications

PL Finish – SF1

O.D. = 32Ra Mechanically Polished

I.D. = 20Ra Mechanically Polished

PM Finish – SF4

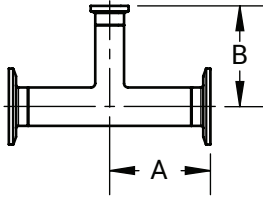
O.D. = 32Ra Mechanically Polished

I.D. = 15Ra Mechanically Polished and Electropolished



High Purity BioPharm Fittings

Clamp x Clamp x Clamp Reducing Tees - T7RMP

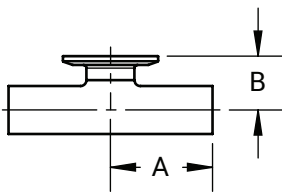
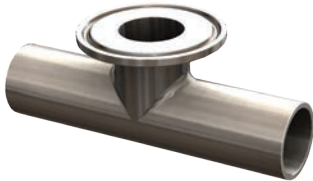


BPE Table DT-4.1.2-8  
ASME BPE 2019

Tube O.D.	A (in)	B (in)	PL Finish - SF1	PM Finish - SF4
3/4" x 1/2"	2.500	2.500	T7RMP-075050PL	T7RMP-075050PM
1" x 1/2"	2.625	2.625	T7RMP-100050PL	T7RMP-100050PM
1" x 3/4"	2.625	2.625	T7RMP-100075PL	T7RMP-100075PM
1-1/2" x 1/2"	2.875	2.875	T7RMP-150050PL	T7RMP-150050PM
1-1/2" x 3/4"	2.875	2.875	T7RMP-150075PL	T7RMP-150075PM
1-1/2" x 1"	2.875	2.875	T7RMP-150100PL	T7RMP-150100PM
2" x 1/2"	3.375	3.125	T7RMP-200050PL	T7RMP-200050PM
2" x 3/4"	3.375	3.125	T7RMP-200075PL	T7RMP-200075PM
2" x 1"	3.375	3.125	T7RMP-200100PL	T7RMP-200100PM
2" x 1-1/2"	3.375	3.125	T7RMP-200150PL	T7RMP-200150PM
2-1/2" x 1/2"	3.625	3.375	T7RMP-250050PL	T7RMP-250050PM
2-1/2" x 3/4"	3.625	3.375	T7RMP-250075PL	T7RMP-250075PM
2-1/2" x 1"	3.625	3.375	T7RMP-250100PL	T7RMP-250100PM
2-1/2" x 1-1/2"	3.625	3.375	T7RMP-250150PL	T7RMP-250150PM
2-1/2" x 2"	3.625	3.375	T7RMP-250200PL	T7RMP-250200PM
3" x 1/2"	3.875	3.625	T7RMP-300050PL	T7RMP-300050PM
3" x 3/4"	3.875	3.625	T7RMP-300075PL	T7RMP-300075PM
3" x 1"	3.875	3.625	T7RMP-300100PL	T7RMP-300100PM
3" x 1-1/2"	3.875	3.625	T7RMP-300150PL	T7RMP-300150PM
3" x 2"	3.875	3.625	T7RMP-300200PL	T7RMP-300200PM
3" x 2-1/2"	3.875	3.625	T7RMP-300250PL	T7RMP-300250PM
4" x 1/2"	4.750	4.125	T7RMP-400050PL	T7RMP-400050PM
4" x 3/4"	4.750	4.125	T7RMP-400075PL	T7RMP-400075PM
4" x 1"	4.750	4.125	T7RMP-400100PL	T7RMP-400100PM
4" x 1-1/2"	4.750	4.125	T7RMP-400150PL	T7RMP-400150PM
4" x 2"	4.750	4.375	T7RMP-400200PL	T7RMP-400200PM
4" x 2-1/2"	4.750	4.375	T7RMP-400250PL	T7RMP-400250PM
4" x 3"	4.750	4.375	T7RMP-400300PL	T7RMP-400300PM
6" x 3"	7.125	5.375	T7RMP-600300PL	T7RMP-600300PM
6" x 4"	7.125	5.750	T7RMP-600400PL	T7RMP-600400PM



Weld x Weld x Clamp Short Outlet Tees - T7WWMS



BPE Table DT-4.1.2-2  
ASME BPE 2019

Tube O.D.	A (in)	B (in)	Nominal wall (in)	PL Finish - SF1	PM Finish - SF4
1/2"	1.875	1.000	0.065	T7WWMS-050PL	T7WWMS-050PM
3/4"	2.000	1.125	0.065	T7WWMS-075PL	T7WWMS-075PM
1"	2.125	1.125	0.065	T7WWMS-100PL	T7WWMS-100PM
1-1/2"	2.375	1.375	0.065	T7WWMS-150PL	T7WWMS-150PM
2"	2.875	1.625	0.065	T7WWMS-200PL	T7WWMS-200PM
2-1/2"	3.125	1.875	0.065	T7WWMS-250PL	T7WWMS-250PM
3"	3.375	2.125	0.065	T7WWMS-300PL	T7WWMS-300PM
4"	4.125	2.750	0.083	T7WWMS-400PL	T7WWMS-400PM
6"	5.625	4.625	0.109	T7WWMS-600PL	T7WWMS-600PM

NOTE: BPE 2019 Specifications

PL Finish – SF1

O.D. = 32Ra Mechanically Polished

I.D. = 20Ra Mechanically Polished

PM Finish – SF4

O.D. = 32Ra Mechanically Polished

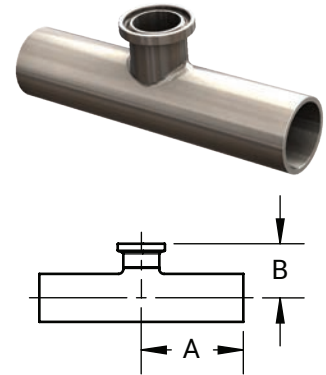
I.D. = 15Ra Mechanically Polished and Electropolished

### High Purity BioPharm Line

#### Weld x Weld x Clamp Short Outlet Reducing Tees - T7RWWMS

621  
3  
63-04

Tube O.D.	A (in)	B (in)	Nominal Wall (in)	PL Finish - SF1	PM Finish - SF4
3/4" x 1/2"	2.000	1.000	0.065	T7RWWMS075050PL	T7RWWMS075050PM
1" x 1/2"	2.125	1.125	0.065	T7RWWMS100050PL	T7RWWMS100050PM
1" x 3/4"	2.125	1.125	0.065	T7RWWMS100075PL	T7RWWMS100075PM
1-1/2" x 1/2"	2.375	1.375	0.065	T7RWWMS150050PL	T7RWWMS150050PM
1-1/2" x 3/4"	2.375	1.375	0.065	T7RWWMS150075PL	T7RWWMS150075PM
1-1/2" x 1"	2.375	1.375	0.065	T7RWWMS150100PL	T7RWWMS150100PM
2" x 1/2"	2.875	1.625	0.065	T7RWWMS200050PL	T7RWWMS200050PM
2" x 3/4"	2.875	1.625	0.065	T7RWWMS200075PL	T7RWWMS200075PM
2" x 1"	2.875	1.625	0.065	T7RWWMS200100PL	T7RWWMS200100PM
2" x 1-1/2"	2.875	1.625	0.065	T7RWWMS200150PL	T7RWWMS200150PM
2-1/2" x 1/2"	3.125	1.875	0.065	T7RWWMS250050PL	T7RWWMS250050PM
2-1/2" x 3/4"	3.125	1.875	0.065	T7RWWMS250075PL	T7RWWMS250075PM
2-1/2" x 1"	3.125	1.875	0.065	T7RWWMS250100PL	T7RWWMS250100PM
2-1/2" x 1-1/2"	3.125	1.875	0.065	T7RWWMS250150PL	T7RWWMS250150PM
2-1/2" x 2"	3.125	1.875	0.065	T7RWWMS250200PL	T7RWWMS250200PM
3" x 1/2"	3.375	2.125	0.065	T7RWWMS300050PL	T7RWWMS300050PM
3" x 3/4"	3.375	2.125	0.065	T7RWWMS300075PL	T7RWWMS300075PM
3" x 1"	3.375	2.125	0.065	T7RWWMS300100PL	T7RWWMS300100PM
3" x 1-1/2"	3.375	2.125	0.065	T7RWWMS300150PL	T7RWWMS300150PM
3" x 2"	3.375	2.125	0.065	T7RWWMS300200PL	T7RWWMS300200PM
3" x 2-1/2"	3.375	2.125	0.065	T7RWWMS300250PL	T7RWWMS300250PM
4" x 1/2"	4.125	2.625	0.083	T7RWWMS400050PL	T7RWWMS400050PM
4" x 3/4"	4.125	2.625	0.083	T7RWWMS400075PL	T7RWWMS400075PM
4" x 1"	4.125	2.625	0.083	T7RWWMS400100PL	T7RWWMS400100PM
4" x 1-1/2"	4.125	2.625	0.083	T7RWWMS400150PL	T7RWWMS400150PM
4" x 2"	4.125	2.625	0.083	T7RWWMS400200PL	T7RWWMS400200PM
4" x 2-1/2"	4.125	2.625	0.083	T7RWWMS400250PL	T7RWWMS400250PM
4" x 3"	4.125	2.625	0.083	T7RWWMS400300PL	T7RWWMS400300PM
6" x 3"	5.625	3.625	0.109	T7RWWMS600300PL	T7RWWMS600300PM
6" x 4"	5.625	3.750	0.109	T7RWWMS600400PL	T7RWWMS600400PM

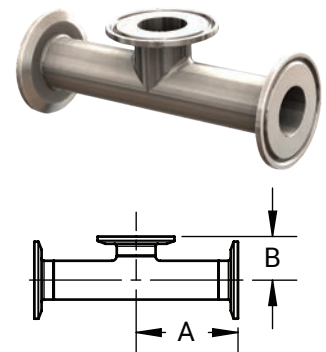


BPE Table DT-4.1.2-7  
ASME BPE 2019

#### Clamp x Clamp x Clamp Short Outlet Tees - T7MPS

621  
3  
63-04

Tube O.D.	A (in)	B (in)	PL Finish - SF1	PM Finish - SF4
1/2"	2.375	1.000	T7MPS-050PL	T7MPS-050PM
3/4"	2.500	1.125	T7MPS-075PL	T7MPS-075PM
1"	2.625	1.125	T7MPS-100PL	T7MPS-100PM
1-1/2"	2.875	1.375	T7MPS-150PL	T7MPS-150PM
2"	3.375	1.625	T7MPS-200PL	T7MPS-200PM
2-1/2"	3.625	1.875	T7MPS-250PL	T7MPS-250PM
3"	3.875	2.125	T7MPS-300PL	T7MPS-300PM
4"	4.750	2.750	T7MPS-400PL	T7MPS-400PM
6"	7.125	4.625	T7MPS-600PL	T7MPS-600PM



BPE Table DT-4.1.2-5  
ASME BPE 2019

NOTE: BPE 2019 Specifications

PL Finish – SF1

O.D. = 32Ra Mechanically Polished

I.D. = 20Ra Mechanically Polished

PM Finish – SF4

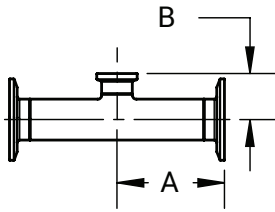
O.D. = 32Ra Mechanically Polished

I.D. = 15Ra Mechanically Polished and Electropolished

High Purity BioPharm Line

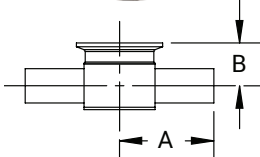
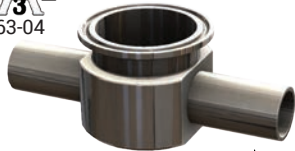


Clamp x Clamp x Clamp Short Outlet Reducing Tees - T7RMPS



BPE Table DT-4.1.2-9  
ASME BPE 2019

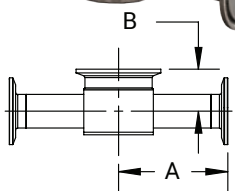
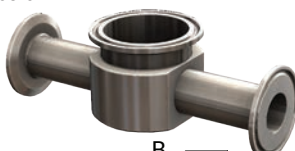
Tube O.D.	A (in)	B (in)	PL Finish - SF1	PM Finish - SF4
3/4" x 1/2"	2.500	1.000	T7RMPS-075050PL	T7RMPS-075050PM
1" x 1/2"	2.625	1.125	T7RMPS-100050PL	T7RMPS-100050PM
1" x 3/4"	2.625	1.125	T7RMPS-100075PL	T7RMPS-100075PM
1-1/2" x 1/2"	2.875	1.375	T7RMPS-150050PL	T7RMPS-150050PM
1-1/2" x 3/4"	2.875	1.375	T7RMPS-150075PL	T7RMPS-150075PM
1-1/2" x 1"	2.875	1.375	T7RMPS-150100PL	T7RMPS-150100PM
2" x 1/2"	3.375	1.625	T7RMPS-200050PL	T7RMPS-200050PM
2" x 3/4"	3.375	1.625	T7RMPS-200075PL	T7RMPS-200075PM
2" x 1"	3.375	1.625	T7RMPS-200100PL	T7RMPS-200100PM
2" x 1-1/2"	3.375	1.625	T7RMPS-200150PL	T7RMPS-200150PM
2-1/2" x 1/2"	3.625	1.875	T7RMPS-250050PL	T7RMPS-250050PM
2-1/2" x 3/4"	3.625	1.875	T7RMPS-250075PL	T7RMPS-250075PM
2-1/2" x 1"	3.625	1.875	T7RMPS-250100PL	T7RMPS-250100PM
2-1/2" x 1-1/2"	3.625	1.875	T7RMPS-250150PL	T7RMPS-250150PM
2-1/2" x 2"	3.625	1.875	T7RMPS-250200PL	T7RMPS-250200PM
3" x 1/2"	3.875	2.125	T7RMPS-300050PL	T7RMPS-300050PM
3" x 3/4"	3.875	2.125	T7RMPS-300075PL	T7RMPS-300075PM
3" x 1"	3.875	2.125	T7RMPS-300100PL	T7RMPS-300100PM
3" x 1-1/2"	3.875	2.125	T7RMPS-300150PL	T7RMPS-300150PM
3" x 2"	3.875	2.125	T7RMPS-300200PL	T7RMPS-300200PM
3" x 2-1/2"	3.875	2.125	T7RMPS-300250PL	T7RMPS-300250PM
4" x 1/2"	4.750	2.625	T7RMPS-400050PL	T7RMPS-400050PM
4" x 3/4"	4.750	2.625	T7RMPS-400075PL	T7RMPS-400075PM
4" x 1"	4.750	2.625	T7RMPS-400100PL	T7RMPS-400100PM
4" x 1-1/2"	4.750	2.625	T7RMPS-400150PL	T7RMPS-400150PM
4" x 2"	4.750	2.625	T7RMPS-400200PL	T7RMPS-400200PM
4" x 2-1/2"	4.750	2.625	T7RMPS-400250PL	T7RMPS-400250PM
4" x 3"	4.750	2.625	T7RMPS-400300PL	T7RMPS-400300PM
6" x 3"	7.125	3.625	T7RMPS-600300PL	T7RMPS-600300PM
6" x 4"	7.125	3.750	T7RMPS-600400PL	T7RMPS-600400PM



BPE Table DT-4.1.2-10  
ASME BPE 2019

Weld x Weld x Clamp Instrument Tees - T7IWWMS

Tube O.D.	A (in)	B (in)	Nominal Wall (in)	PL Finish - SF1	PM Finish - SF4
1/2" x 1-1/2"	2.500	0.875	0.065	T7IWWMS050150PL	T7IWWMS050150PM
3/4" x 1-1/2"	2.500	1.000	0.065	T7IWWMS075150PL	T7IWWMS075150PM
1" x 1-1/2"	2.500	1.125	0.065	T7IWWMS100150PL	T7IWWMS100150PM
1/2" x 2"	2.750	1.000	0.065	T7IWWMS050200PL	T7IWWMS050200PM
3/4" x 2"	2.750	1.125	0.065	T7IWWMS075200PL	T7IWWMS075200PM
1" x 2"	2.750	1.250	0.065	T7IWWMS100200PL	T7IWWMS100200PM
1-1/2" x 2"	2.750	1.500	0.065	T7IWWMS150200PL	T7IWWMS150200PM



BPE Table DT-4.1.2-11  
ASME BPE 2019

Clamp x Clamp x Clamp Instrument Tees - T7IMPS

Tube O.D.	A (in)	B (in)	PL Finish - SF1	PM Finish - SF4
1/2" x 1-1/2"	3.000	0.875	T7IMPS-050150PL	T7IMPS-050150PM
3/4" x 1-1/2"	3.000	1.000	T7IMPS-075150PL	T7IMPS-075150PM
1" x 1-1/2"	3.000	1.125	T7IMPS-100150PL	T7IMPS-100150PM
1/2" x 2"	3.250	1.000	T7IMPS-050200PL	T7IMPS-050200PM
3/4" x 2"	3.250	1.125	T7IMPS-075200PL	T7IMPS-075200PM
1" x 2"	3.250	1.250	T7IMPS-100200PL	T7IMPS-100200PM
1-1/2" x 2"	3.250	1.500	T7IMPS150200PL	T7IMPS150200PM

NOTE: BPE 2019 Specifications

PL Finish – SF1

O.D. = 32Ra Mechanically Polished

I.D. = 20Ra Mechanically Polished

PM Finish – SF4

O.D. = 32Ra Mechanically Polished

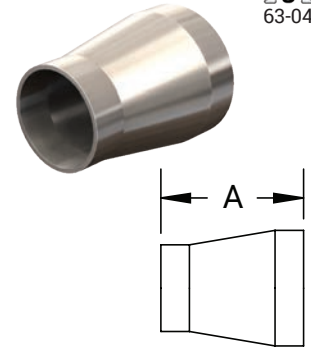
I.D. = 15Ra Mechanically Polished and Electropolished

### High Purity BioPharm Fittings

#### Weld x Weld Concentric Reducers – 2211C

621  
A  
3  
63-04

Size	A (in)	Nominal Wall (in)	PL finish - SF1	PM finish - SF4
3/4" x 1/2"	2.125	0.065 x 0.065	2211CBB075050F1	2211CBB075050F4
1" x 1/2"	2.500	0.065 x 0.065	2211CBB100050F1	2211CBB100050F4
1" x 3/4"	2.125	0.065 x 0.065	2211CBB100075F1	2211CBB100075F4
1-1/2" x 3/4"	3.000	0.065 x 0.065	2211CBB150075F1	2211CBB150075F4
1-1/2" x 1"	2.500	0.065 x 0.065	2211CBB150100F1	2211CBB150100F4
2" x 1"	3.375	0.065 x 0.065	2211CBB200100F1	2211CBB200100F4
2" x 1-1/2"	2.500	0.065 x 0.065	2211CBB200150F1	2211CBB200150F4
2-1/2" x 1-1/2"	3.375	0.065 x 0.065	2211CBB250150F1	2211CBB250150F4
2-1/2" x 2"	2.500	0.065 x 0.065	2211CBB250200F1	2211CBB250200F4
3" x 1-1/2"	4.250	0.065 x 0.065	2211CBB300150F1	2211CBB300150F4
3" x 2"	3.375	0.065 x 0.065	2211CBB300200F1	2211CBB300200F4
3" x 2-1/2"	2.625	0.065 x 0.065	2211CBB300250F1	2211CBB300250F4
4" x 2"	5.125	0.083 x 0.065	2211CBB400200F1	2211CBB400200F4
4" x 2-1/2"	4.250	0.083 x 0.065	2211CBB400250F1	2211CBB400250F4
4" x 3"	3.875	0.083 x 0.065	2211CBB400300F1	2211CBB400300F4
6" x 3"	7.250	0.109 x 0.065	2211CBB600300F1	2211CBB600300F4
6" x 4"	5.625	0.109 x 0.083	2211CBB600400F1	2211CBB600400F4

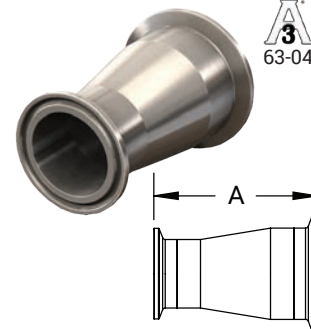


BPE Table DT-4.1.3-1  
ASME BPE 2019

#### Clamp x Clamp Concentric Reducers – 2221C

621  
A  
3  
63-04

Size	A (in)	PL finish - SF1	PM finish - SF4
3/4" x 1/2"	3.125	2221CBB075050F1	2221CBB075050F4
1" x 1/2"	3.500	2221CBB100050F1	2221CBB100050F4
1" x 3/4"	3.125	2221CBB100075F1	2221CBB100075F4
1-1/2" x 3/4"	4.000	2221CBB150075F1	2221CBB150075F4
1-1/2" x 1"	3.500	2221CBB150100F1	2221CBB150100F4
2" x 1"	4.375	2221CBB200100F1	2221CBB200100F4
2" x 1-1/2"	3.500	2221CBB200150F1	2221CBB200150F4
2-1/2" x 1-1/2"	4.375	2221CBB250150F1	2221CBB250150F4
2-1/2" x 2"	3.500	2221CBB250200F1	2221CBB250200F4
3" x 1-1/2"	5.250	2221CBB300150F1	2221CBB300150F4
3" x 2"	4.375	2221CBB300200F1	2221CBB300200F4
3" x 2-1/2"	3.625	2221CBB300250F1	2221CBB300250F4
4" x 2"	6.250	2221CBB400200F1	2221CBB400200F4
4" x 2-1/2"	5.375	2221CBB400250F1	2221CBB400250F4
4" x 3"	5.000	2221CBB400300F1	2221CBB400300F4
6" x 3"	8.500	2221CBB600300F1	2221CBB600300F4
6" x 4"	7.000	2221CBB600400F1	2221CBB600400F4



BPE Table DT-4.1.3-3  
ASME BPE 2019

NOTE: BPE 2019 Specifications

PL Finish – SF1

O.D. = 32Ra Mechanically Polished

I.D. = 20Ra Mechanically Polished

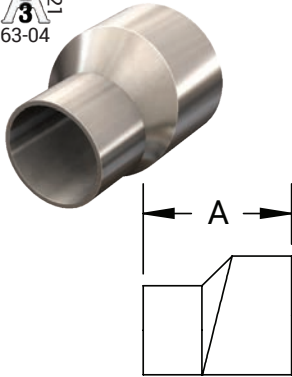
PM Finish – SF4

O.D. = 32Ra Mechanically Polished

I.D. = 15Ra Mechanically Polished and Electropolished

High Purity BioPharm Fittings

621  
3  
63-04

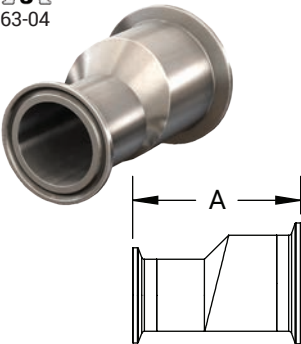


BPE Table DT-4.1.3-1  
ASME BPE 2019

Weld x Weld Eccentric Reducers – 2211E

Size	A (in)	Nominal Wall (in)	PL finish - SF1	PM finish - SF4
3/4" x 1/2"	2.125	0.065 x 0.065	2211EBB075050F1	2211EBB075050F4
1" x 1/2"	2.500	0.065 x 0.065	2211EBB100050F1	2211EBB100050F4
1" x 3/4"	2.125	0.065 x 0.065	2211EBB100075F1	2211EBB100075F4
1-1/2" x 3/4"	3.000	0.065 x 0.065	2211EBB150075F1	2211EBB150075F4
1-1/2" x 1"	2.500	0.065 x 0.065	2211EBB150100F1	2211EBB150100F4
2" x 1"	3.375	0.065 x 0.065	2211EBB200100F1	2211EBB200100F4
2" x 1-1/2"	2.500	0.065 x 0.065	2211EBB200150F1	2211EBB200150F4
2-1/2" x 1-1/2"	3.375	0.065 x 0.065	2211EBB250150F1	2211EBB250150F4
2-1/2" x 2"	2.500	0.065 x 0.065	2211EBB250200F1	2211EBB250200F4
3" x 1-1/2"	4.250	0.065 x 0.065	2211EBB300150F1	2211EBB300150F4
3" x 2"	3.375	0.065 x 0.065	2211EBB300200F1	2211EBB300200F4
3" x 2-1/2"	2.625	0.065 x 0.065	2211EBB300250F1	2211EBB300250F4
4" x 2"	5.125	0.083 x 0.065	2211EBB400200F1	2211EBB400200F4
4" x 2-1/2"	4.250	0.083 x 0.065	2211EBB400250F1	2211EBB400250F4
4" x 3"	3.875	0.083 x 0.065	2211EBB400300F1	2211EBB400300F4
6" x 3"	7.250	0.109 x 0.065	2211EBB600300F1	2211EBB600300F4
6" x 4"	5.625	0.109 x 0.083	2211EBB600400F1	2211EBB600400F4

621  
3  
63-04



BPE Table DT-4.1.3-3  
ASME BPE 2019

Clamp x Clamp Eccentric Reducers – 2221E

Size	A (in)	PL finish - SF1	PM finish - SF4
3/4" x 1/2"	3.125	2221EBB075050F1	2221EBB075050F4
1" x 1/2"	3.500	2221EBB100050F1	2221EBB100050F4
1" x 3/4"	3.125	2221EBB100075F1	2221EBB100075F4
1-1/2" x 3/4"	4.000	2221EBB150075F1	2221EBB150075F4
1-1/2" x 1"	3.500	2221EBB150100F1	2221EBB150100F4
2" x 1"	4.375	2221EBB200100F1	2221EBB200100F4
2" x 1-1/2"	3.500	2221EBB200150F1	2221EBB200150F4
2-1/2" x 1-1/2"	4.375	2221EBB250150F1	2221EBB250150F4
2-1/2" x 2"	3.500	2221EBB250200F1	2221EBB250200F4
3" x 1-1/2"	5.250	2221EBB300150F1	2221EBB300150F4
3" x 2"	4.375	2221EBB300200F1	2221EBB300200F4
3" x 2-1/2"	3.625	2221EBB300250F1	2221EBB300250F4
4" x 2"	6.250	2221EBB400200F1	2221EBB400200F4
4" x 2-1/2"	5.375	2221EBB400250F1	2221EBB400250F4
4" x 3"	5.000	2221EBB400300F1	2221EBB400300F4
6" x 3"	8.500	2221EBB600300F1	2221EBB600300F4
6" x 4"	7.000	2221EBB600400F1	2221EBB600400F4

NOTE: BPE 2019 Specifications

PL Finish – SF1  
O.D. = 32Ra Mechanically Polished  
I.D. = 20Ra Mechanically Polished

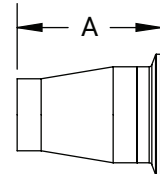
PM Finish – SF4  
O.D. = 32Ra Mechanically Polished  
I.D. = 15Ra Mechanically Polished and Electropolished

### High Purity BioPharm Fittings

#### Clamp X Weld Concentric Reducers - 2226C



Tube O.D.	A (in)	Nominal Wall (in)	PL Finish - SF1	PM Finish - SF4
3/4" x 1/2"	2.625	0.065	2226CBB075050F1	2226CBB075050F4
1" x 1/2"	3.000	0.065	2226CBB100050F1	2226CBB100050F4
1" x 3/4"	2.625	0.065	2226CBB100075F1	2226CBB100075F4
1-1/2" x 3/4"	3.500	0.065	2226CBB150075F1	2226CBB150075F4
1-1/2" x 1"	3.000	0.065	2226CBB150100F1	2226CBB150100F4
2" x 1"	3.875	0.065	2226CBB200100F1	2226CBB200100F4
2" x 1-1/2"	3.000	0.065	2226CBB200150F1	2226CBB200150F4
2-1/2" x 1-1/2"	3.875	0.065	2226CBB250150F1	2226CBB250150F4
2-1/2" x 2"	3.000	0.065	2226CBB250200F1	2226CBB250200F4
3" x 1-1/2"	4.750	0.065	2226CBB300150F1	2226CBB300150F4
3" x 2"	3.875	0.065	2226CBB300200F1	2226CBB300200F4
3" x 2-1/2"	3.125	0.065	2226CBB300250F1	2226CBB300250F4
4" x 2"	5.750	0.065	2226CBB400200F1	2226CBB400200F4
4" x 2-1/2"	4.875	0.065	2226CBB400250F1	2226CBB400250F4
4" x 3"	4.500	0.065	2226CBB400300F1	2226CBB400300F4

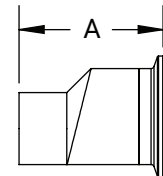


ASME BPE 2019

#### Clamp X Weld Eccentric Reducers - 2226E



Tube O.D.	A (in)	Nominal Wall (in)	PL Finish - SF1	PM Finish - SF4
3/4" x 1/2"	2.625	0.065	2226EBB075050F1	2226EBB075050F4
1" x 1/2"	3.000	0.065	2226EBB100050F1	2226EBB100050F4
1" x 3/4"	2.625	0.065	2226EBB100075F1	2226EBB100075F4
1-1/2" x 3/4"	3.500	0.065	2226EBB150075F1	2226EBB150075F4
1-1/2" x 1"	3.000	0.065	2226EBB150100F1	2226EBB150100F4
2" x 1"	3.875	0.065	2226EBB200100F1	2226EBB200100F4
2" x 1-1/2"	3.000	0.065	2226EBB200150F1	2226EBB200150F4
2-1/2" x 1-1/2"	3.875	0.065	2226EBB250150F1	2226EBB250150F4
2-1/2" x 2"	3.000	0.065	2226EBB250200F1	2226EBB250200F4
3" x 1-1/2"	4.750	0.065	2226EBB300150F1	2226EBB300150F4
3" x 2"	3.875	0.065	2226EBB300200F1	2226EBB300200F4
3" x 2-1/2"	3.125	0.065	2226EBB300250F1	2226EBB300250F4
4" x 2"	5.750	0.065	2226EBB400200F1	2226EBB400200F4
4" x 2-1/2"	4.875	0.065	2226EBB400250F1	2226EBB400250F4
4" x 3"	4.500	0.065	2226EBB400300F1	2226EBB400300F4



ASME BPE 2019

NOTE: BPE 2019 Specifications

PL Finish – SF1

O.D. = 32Ra Mechanically Polished

I.D. = 20Ra Mechanically Polished

PM Finish – SF4

O.D. = 32Ra Mechanically Polished

I.D. = 15Ra Mechanically Polished and Electropolished

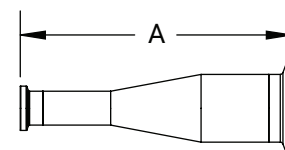




### High Purity BioPharm Fittings Clamp x Clamp Concentric Reducers - T3114MP



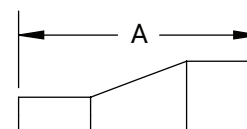
Tube O.D.	A (in)	2007 BPE	2012 BPE	PL Finish - SF1	PM Finish - SF4
3/4" x 1/2"	2.000		x	T3114MP075050PL	T3114MP075050PM
1" x 1/2"	2.500		x	T3114MP100050PL	T3114MP100050PM
1" x 3/4"	2.000		x	T3114MP100075PL	T3114MP100075PM
1-1/2" x 1/2"	3.500	x		T3114MP150050PL	T3114MP150050PM
1-1/2" x 3/4"	3.000		x	T3114MP150075PL	T3114MP150075PM
1-1/2" x 1"	3.000		x	T3114MP150100PL	T3114MP150100PM
2" x 1/2"	5.500	x		T3114MP200050PL	T3114MP200050PM
2" x 3/4"	5.000	x		T3114MP200075PL	T3114MP200075PM
2" x 1"	5.000		x	T3114MP200100PL	T3114MP200100PM
2" x 1-1/2"	3.000		x	T3114MP200150PL	T3114MP200150PM
2-1/2" x 1/2"	7.500	x		T3114MP250050PL	T3114MP250050PM
2-1/2" x 3/4"	7.000	x		T3114MP250075PL	T3114MP250075PM
2-1/2" x 1"	7.000	x		T3114MP250100PL	T3114MP250100PM
2-1/2" x 1-1/2"	5.000		x	T3114MP250150PL	T3114MP250150PM
2-1/2" x 2"	3.000		x	T3114MP250200PL	T3114MP250200PM
3" x 1"	9.000	x		T3114MP300100PL	T3114MP300100PM
3" x 1-1/2"	7.000		x	T3114MP300150PL	T3114MP300150PM
3" x 2"	5.000		x	T3114MP300200PL	T3114MP300200PM
3" x 2-1/2"	3.000		x	T3114MP300250PL	T3114MP300250PM
4" x 1"	13.125	x		T3114MP400100PL	T3114MP400100PM
4" x 1-1/2"	11.125	x		T3114MP400150PL	T3114MP400150PM
4" x 2"	9.125		x	T3114MP400200PL	T3114MP400200PM
4" x 2-1/2"	7.125		x	T3114MP400250PL	T3114MP400250PM
4" x 3"	5.125		x	T3114MP400300PL	T3114MP400300PM
6" x 3"	7.500		x	T3114MP600300PL	T3114MP600300PM
6" x 4"	7.625		x	T3114MP600400PL	T3114MP600400PM



### Weld x Weld Eccentric Reducers - T32W



Tube O.D.	A (in)	Nominal Wall (in)	2007 BPE	2012 BPE	PL Finish - SF1	PM Finish - SF4
3/4" x 1/2"	4.000	0.065 x 0.065		x	T32W-075050PL	T32W-075050PM
1" x 1/2"	4.500	0.065 x 0.065		x	T32W-100050PL	T32W-100050PM
1" x 3/4"	4.000	0.065 x 0.065		x	T32W-100075PL	T32W-100075PM
1-1/2" x 1/2"	5.500	0.065 x 0.065	x		T32W-150050PL	T32W-150050PM
1-1/2" x 3/4"	5.000	0.065 x 0.065		x	T32W-150075PL	T32W-150075PM
1-1/2" x 1"	5.000	0.065 x 0.065		x	T32W-150100PL	T32W-150100PM
2" x 1/2"	7.750	0.065 x 0.065	x		T32W-200050PL	T32W-200050PM
2" x 3/4"	7.250	0.065 x 0.065	x		T32W-200075PL	T32W-200075PM
2" x 1"	7.250	0.065 x 0.065		x	T32W-200100PL	T32W-200100PM
2" x 1-1/2"	5.250	0.065 x 0.065		x	T32W-200150PL	T32W-200150PM
2-1/2" x 1/2"	9.750	0.065 x 0.065	x		T32W-250050PL	T32W-250050PM
2-1/2" x 3/4"	9.250	0.065 x 0.065	x		T32W-250075PL	T32W-250075PM
2-1/2" x 1"	9.250	0.065 x 0.065	x		T32W-250100PL	T32W-250100PM
2-1/2" x 1-1/2"	7.250	0.065 x 0.065		x	T32W-250150PL	T32W-250150PM
2-1/2" x 2"	5.500	0.065 x 0.065		x	T32W-250200PL	T32W-250200PM
3" x 1"	11.250	0.065 x 0.065	x		T32W-300100PL	T32W-300100PM
3" x 1-1/2"	9.250	0.065 x 0.065		x	T32W-300150PL	T32W-300150PM
3" x 2"	7.500	0.065 x 0.065		x	T32W-300200PL	T32W-300200PM
3" x 2-1/2"	5.500	0.065 x 0.065		x	T32W-300250PL	T32W-300250PM
4" x 1"	15.500	0.083 x 0.065	x		T32W-400100PL	T32W-400100PM
4" x 1-1/2"	13.500	0.083 x 0.065	x		T32W-400150PL	T32W-400150PM
4" x 2"	11.750	0.083 x 0.065		x	T32W-400200PL	T32W-400200PM
4" x 2-1/2"	9.750	0.083 x 0.065		x	T32W-400250PL	T32W-400250PM
4" x 3"	7.750	0.083 x 0.065		x	T32W-400300PL	T32W-400300PM
6" x 3"	9.750	0.109 x 0.065		x	T32W-600300PL	T32W-600300PM
6" x 4"	10.000	0.109 x 0.083		x	T32W-600400PL	T32W-600400PM



NOTE: BPE 2007 or 2012 Specifications as indicated

PL Finish – SF1

PM Finish – SF4

O.D. = 32Ra Mechanically Polished

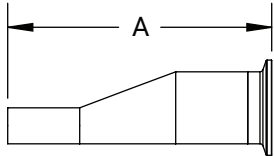
O.D. = 32Ra Mechanically Polished

I.D. = 20Ra Mechanically Polished

I.D. = 15Ra Mechanically Polished and Electropolished



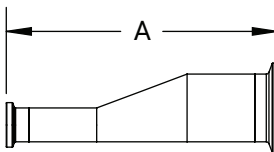
**High Purity BioPharm Fittings**  
Clamp x Weld Eccentric Reducers - T32M



Tube O.D.	A (in)	Nominal Wall (in)	2007 BPE	2012 BPE	PL Finish - SF1	PM Finish - SF4
3/4" x 1/2"	3.000	0.065		x	T32M-075050PL	T32M-075050PM
1" x 1/2"	3.500	0.065		x	T32M-100050PL	T32M-100050PM
1" x 3/4"	3.000	0.065		x	T32M-100075PL	T32M-100075PM
1-1/2" x 1/2"	4.500	0.065	x		T32M-150050PL	T32M-150050PM
1-1/2" x 3/4"	4.000	0.065		x	T32M-150075PL	T32M-150075PM
1-1/2" x 1"	4.000	0.065		x	T32M-150100PL	T32M-150100PM
2" x 1/2"	6.500	0.065	x		T32M-200050PL	T32M-200050PM
2" x 3/4"	6.000	0.065	x		T32M-200075PL	T32M-200075PM
2" x 1"	6.000	0.065		x	T32M-200100PL	T32M-200100PM
2" x 1-1/2"	4.000	0.065		x	T32M-200150PL	T32M-200150PM
2-1/2" x 1/2"	8.500	0.065	x		T32M-250050PL	T32M-250050PM
2-1/2" x 3/4"	8.000	0.065	x		T32M-250075PL	T32M-250075PM
2-1/2" x 1"	8.000	0.065	x		T32M-250100PL	T32M-250100PM
2-1/2" x 1-1/2"	6.000	0.065		x	T32M-250150PL	T32M-250150PM
2-1/2" x 2"	4.250	0.065		x	T32M-250200PL	T32M-250200PM
3" x 1"	10.000	0.065	x		T32M-300100PL	T32M-300100PM
3" x 1-1/2"	8.000	0.065		x	T32M-300150PL	T32M-300150PM
3" x 2"	6.250	0.065		x	T32M-300200PL	T32M-300200PM
3" x 2-1/2"	4.250	0.065		x	T32M-300250PL	T32M-300250PM
4" x 1"	14.125	0.065	x		T32M-400100PL	T32M-400100PM
4" x 1-1/2"	12.125	0.065	x		T32M-400150PL	T32M-400150PM
4" x 2"	10.375	0.065		x	T32M-400200PL	T32M-400200PM
4" x 2-1/2"	8.375	0.065		x	T32M-400250PL	T32M-400250PM
4" x 3"	6.375	0.065		x	T32M-400300PL	T32M-400300PM
6" x 3"	8.750	0.065		x	T32M-600300PL	T32M-600300PM
6" x 4"	9.000	0.083		x	T32M-600400PL	T32M-600400PM



**Clamp x Clamp Eccentric Reducers - T3214MP**



Tube O.D.	A (in)	2007 BPE	2012 BPE	PL Finish - SF1	PM Finish - SF4
3/4" x 1/2"	2.000		x	T3214MP075050PL	T3214MP075050PM
1" x 1/2"	2.500		x	T3214MP100050PL	T3214MP100050PM
1" x 3/4"	2.000		x	T3214MP100075PL	T3214MP100075PM
1-1/2" x 1/2"	3.500	x		T3214MP150050PL	T3214MP150050PM
1-1/2" x 3/4"	3.000		x	T3214MP150075PL	T3214MP150075PM
1-1/2" x 1"	3.000		x	T3214MP150100PL	T3214MP150100PM
2" x 1/2"	5.500	x		T3214MP200050PL	T3214MP200050PM
2" x 3/4"	5.000	x		T3214MP200075PL	T3214MP200075PM
2" x 1"	5.000		x	T3214MP200100PL	T3214MP200100PM
2" x 1-1/2"	3.000		x	T3214MP200150PL	T3214MP200150PM
2-1/2" x 1/2"	7.500	x		T3214MP250050PL	T3214MP250050PM
2-1/2" x 3/4"	7.000	x		T3214MP250075PL	T3214MP250075PM
2-1/2" x 1"	7.000	x		T3214MP250100PL	T3214MP250100PM
2-1/2" x 1-1/2"	5.000		x	T3214MP250150PL	T3214MP250150PM
2-1/2" x 2"	3.000		x	T3214MP250200PL	T3214MP250200PM
3" x 1"	9.000	x		T3214MP300100PL	T3214MP300100PM
3" x 1-1/2"	7.000		x	T3214MP300150PL	T3214MP300150PM
3" x 2"	5.000		x	T3214MP300200PL	T3214MP300200PM
3" x 2-1/2"	3.000		x	T3214MP300250PL	T3214MP300250PM
4" x 1"	13.125	x		T3214MP400100PL	T3214MP400100PM
4" x 1-1/2"	11.125	x		T3214MP400150PL	T3214MP400150PM
4" x 2"	9.125		x	T3214MP400200PL	T3214MP400200PM
4" x 2-1/2"	7.125		x	T3214MP400250PL	T3214MP400250PM
4" x 3"	5.125		x	T3214MP400300PL	T3214MP400300PM
6" x 3"	7.625		x	T3214MP600300PL	T3214MP600300PM
6" x 4"	7.625		x	T3214MP600400PL	T3214MP600400PM

NOTE: BPE 2007 or 2012 Specifications as indicated

PL Finish – SF1

PM Finish – SF4

O.D. = 32Ra Mechanically Polished

O.D. = 32Ra Mechanically Polished

I.D. = 20Ra Mechanically Polished

I.D. = 15Ra Mechanically Polished and Electropolished

## Dixon Sanitary Pipe Fittings

### A Complete Pipe Clamp Connection

**Sizes**

- 1" - 6" nominal pipe

**Materials**

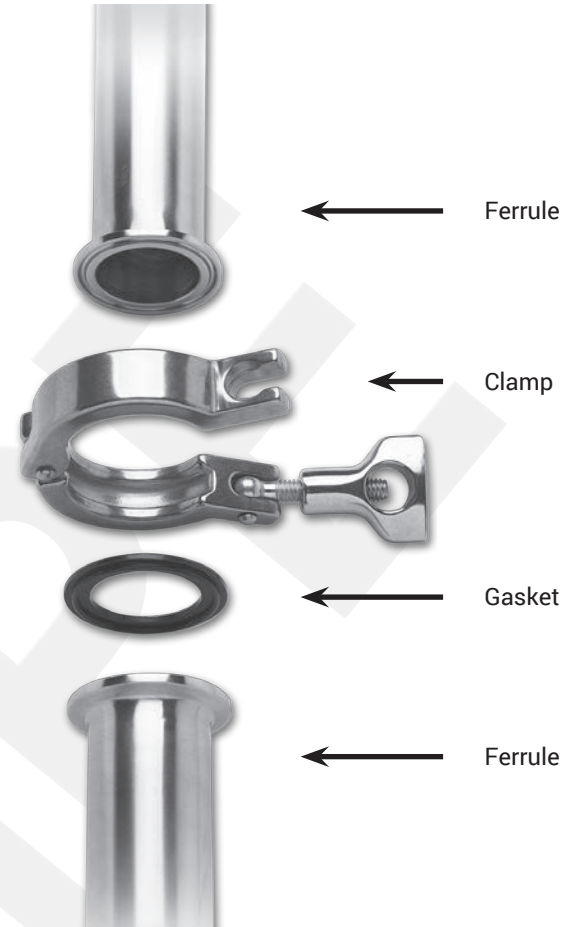
- G = 304 stainless steel
- R = 316L stainless steel
- Other alloys are available

**Feature**

- 3A sanitary finish I.D. and O.D.

**Primary Markets**

- Found in the food processing, beverage, pet products, wineries and breweries, oil extraction, and industrial markets



**Dimensions of Stainless Steel Pipe**

Nominal Pipe Size	Outside Diameter (in)	Nominal Wall Thickness (in)	
		schedule 5S	schedule 10S
1"	1.32	.065	.109
1-1/2"	1.90	.065	.109
2"	2.38	.065	.109
2-1/2"	2.88	.083	.120
3"	3.50	.083	.120
4"	4.50	.083	.120
6"	6.62	.109	.134

Stainless steel schedule numbers from schedule 5S through schedule 80S are published in ANSI B36.19 for sizes through 12". The addition of the letter "S" after the schedule number identifies it as pertaining to stainless steel.

Pipe size and Tube O.D. size materials are not interchangeable



### Pipe Size Clamps

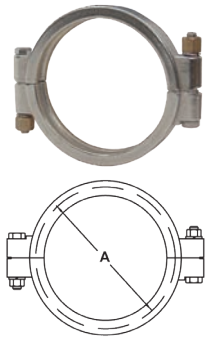
#### Schedule 5S and 10S Single Pin Heavy Duty Clamps - 13MHHV



Pipe Size	A (in)	Service Pressure Rating PSI @ 70°F (21°C) <sup>1</sup>	Part #
1"	2.12	500	13MHHV100
1-1/2"	2.65	450	13MHHV150
2"	3.18	400	13MHHV200
2-1/2"	3.72	350	13MHHV250
3"	4.26	250	13MHHV300
4"	5.26	150	13MHHV400
6"	7.50	100	13MHHV600
8"	9.32	75	13MHHV800
10"	11.45	75	13MHHV1000

<sup>1</sup> Wing nut tightened to 25 in-lb of torque

#### Schedule 5S and 10S Bolted Clamps - 13MHPV

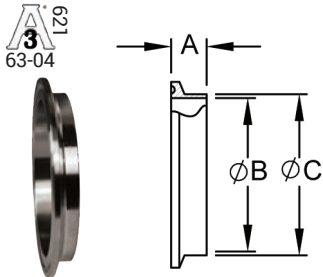


Pipe Size	A (in)	Service Pressure Rating PSI @ 70°F (21°C) <sup>1</sup>	Part #
1"	2.05	750	13MHPV100
1-1/2"	2.58	500	13MHPV150
2"	3.11	500	13MHPV200
2-1/2"	3.46	500	13MHPV250
3"	4.31	400	13MHPV300
4"	5.19	400	13MHPV400
6"	7.20	350	13MHPV600
8"	9.17	350	13MHPV800

<sup>1</sup> Nuts tightened to 20 ft-lb of torque

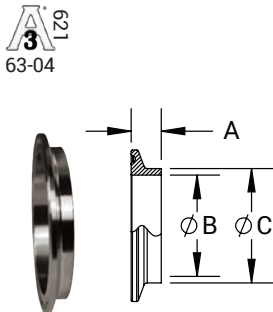
### Pipe Size Ferrules

#### Schedule 5S Short Weld Ferrules - 14WMV



Pipe Size	A (in)	B (in)	C (in)	316L Stainless Steel Part #
1"	.50	1.19	1.32	14WMV-R100
1-1/2"	.50	1.77	1.90	14WMV-R150
2"	.50	2.25	2.38	14WMV-R200
2-1/2"	.50	2.71	2.88	14WMV-R250
3"	.50	3.33	3.50	14WMV-R300
4"	.63	4.33	4.50	14WMV-R400
6"	.88	6.41	6.63	14WMV-R600

#### Schedule 10S Short Weld Ferrules - 14WMX



Pipe Size	A (in)	B (in)	C (in)	316L Stainless Steel Part #
1"	.50	1.10	1.32	14WMX-R100
1-1/2"	.50	1.68	1.90	14WMX-R150
2"	.50	2.16	2.38	14WMX-R200
2-1/2"	.50	2.64	2.88	14WMX-R250
3"	.50	3.26	3.50	14WMX-R300
4"	.63	4.26	4.50	14WMX-R400
6"	.88	6.36	6.63	14WMX-R600

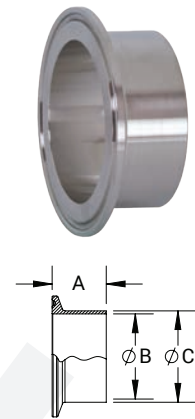
NOTE: For additional information on pipe dimensions please reference [dixonvalve.com](http://dixonvalve.com).

## Pipe Size Ferrules

### Schedule 5S Long Weld Ferrules - L14AM7V



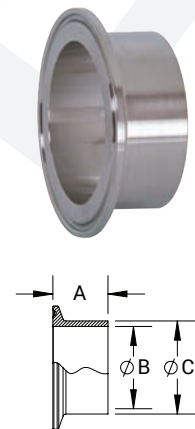
Pipe Size	A (in)	B (in)	C (in)	316L Stainless Steel Part #
1"	1.13	1.19	1.32	L14AM7V-R100
1-1/2"	1.13	1.77	1.90	L14AM7V-R150
2"	1.13	2.25	2.38	L14AM7V-R200
2-1/2"	1.13	2.71	2.88	L14AM7V-R250
3"	1.13	3.33	3.50	L14AM7V-R300
4"	1.13	4.33	4.50	L14AM7V-R400
6"	1.50	6.41	6.63	L14AM7V-R600



### Schedule 10S Long Weld Ferrules - L14AM7X



Pipe Size	A (in)	B (in)	C (in)	316L Stainless Steel Part #
1"	1.13	1.10	1.32	L14AM7X-R100
1-1/2"	1.13	1.68	1.90	L14AM7X-R150
2"	1.13	2.16	2.38	L14AM7X-R200
2-1/2"	1.13	2.64	2.88	L14AM7X-R250
3"	1.13	3.26	3.50	L14AM7X-R300
4"	1.13	4.26	4.50	L14AM7X-R400
6"	1.50	6.36	6.63	L14AM7X-R600

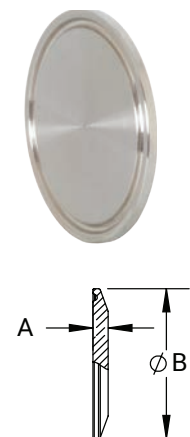


## Pipe Size End Caps

### Schedule 5S and 10S Solid End Caps - 16AMV



Pipe Size	A (in)	B (in)	304 Stainless Steel Part #	316L Stainless Steel Part #
1"	.25	1.98	16AMV-G100	16AMV-R100
1-1/2"	.25	2.52	16AMV-G150	16AMV-R150
2"	.25	3.05	16AMV-G200	16AMV-R200
2-1/2"	.25	3.60	16AMV-G250	16AMV-R250
3"	.31	4.13	16AMV-G300	16AMV-R300
4"	.31	5.13	16AMV-G400	16AMV-R400
6"	.44	7.20	16AMV-G600	16AMV-R600

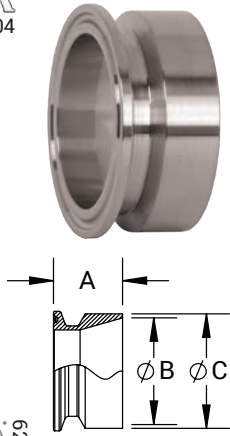


NOTE: For additional information on pipe dimensions please reference [dixonvalve.com](http://dixonvalve.com).

Pipe Size Adapters

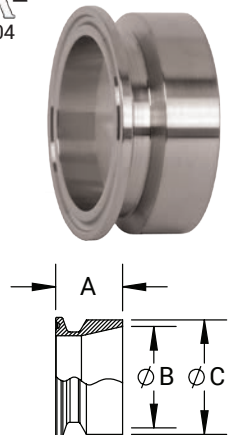
Tube O.D. Clamp x Schedule 5S Weld Adapters - B19MPV

621  
3  
63-04



Pipe Size	A (in)	B (in)	C (in)	Pipe Wall Thickness (in)	316L Stainless Steel Part #
1"	1.13	1.19	1.32	.065	B19MPV-R100
1-1/2"	1.13	1.77	1.90	.065	B19MPV-R150
2"	1.13	2.25	2.38	.065	B19MPV-R200
2-1/2"	1.13	2.71	2.88	.083	B19MPV-R250
3"	1.13	3.33	3.50	.083	B19MPV-R300
4"	1.13	4.33	4.50	.083	B19MPV-R400

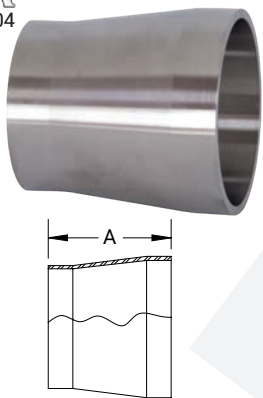
621  
3  
63-04



Tube O.D. Clamp x Schedule 10S Weld Adapters - B19MPX

Pipe Size	A (in)	B (in)	C (in)	Pipe Wall Thickness (in)	316L Stainless Steel Part #
1"	1.13	1.10	1.32	.109	B19MPX-R100
1-1/2"	1.13	1.68	1.90	.109	B19MPX-R150
2"	1.13	2.16	2.38	.109	B19MPX-R200
2-1/2"	1.13	2.64	2.88	.120	B19MPX-R250
3"	1.13	3.26	3.50	.120	B19MPX-R300
4"	1.13	4.26	4.50	.120	B19MPX-R400

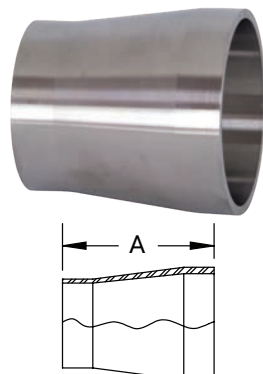
621  
3  
63-04



Tube O.D. Weld x Schedule 5S Weld Adapters - B19WV

Pipe Size	A (in)	Tube Wall Thickness (in)	Pipe Wall Thickness (in)	316L Stainless Steel Part #
1"	2.00	.065	.065	B19WV-R100
1-1/2"	2.50	.065	.065	B19WV-R150
2"	2.50	.065	.065	B19WV-R200
2-1/2"	2.50	.065	.083	B19WV-R250
3"	2.50	.065	.083	B19WV-R300
4"	3.00	.083	.083	B19WV-R400

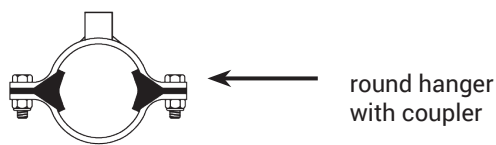
621  
3  
63-04



Tube O.D. Weld x Schedule 10S Weld Adapters - B19WX

Pipe Size	A (in)	Tube Wall Thickness (in)	Pipe Wall Thickness (in)	316L Stainless Steel Part #
1"	2.00	.065	.109	B19WX-R100
1-1/2"	2.50	.065	.109	B19WX-R150
2"	2.50	.065	.109	B19WX-R200
2-1/2"	2.50	.065	.120	B19WX-R250
3"	2.50	.065	.120	B19WX-R300
4"	3.00	.083	.120	B19WX-R400

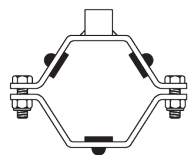
## Dixon Sanitary Pipe Hangers



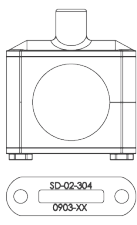
← round hanger with coupler



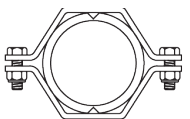
← hex hanger



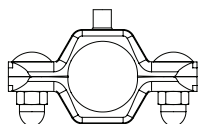
← hex hanger with coupler



← block hanger



← hex hanger with sleeve



← Process hex hanger

### Sizes

- 1/2" - 8" O.D. nominal pipe

### Materials

- Hanger base: 304 stainless steel
- Hanger inserts:
  - Rubber rated to 230°F (110°C)
  - ABS (sleeve) rated to 230°F (110°C)
  - FKM rated to 400°F (204°C)
  - Polypropylene rated to 212°F (100°C)
  - Polysulfone rated to 325°F (163°C)
  - Silicone rated to 320°F (160°C)

### Primary Markets

- Found in the food processing, beverage, dairy, personal care, pet products, wineries and breweries, oil extraction, semi-conductor, and industrial markets

### Support Recommendations

Hangers and/or supports should be spaced as far apart as economically possible, with consideration to assure that the sag of the pipe between supports is within limits that will permit drainage and also avoid excessive bending stresses from concentrated loads such as valves and in-line equipment.

Each side of valves or heavy equipment should have supports as close as possible.

Spacing indicated below may differ from that listed in ANSI/MSS SP-69 & SP-58. Additional hangers may be necessary to adequately support concentrated loads such as valves, flanges, or instruments.

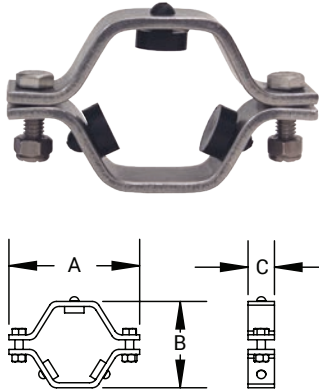
Please note that these are just estimates and it is the responsibility of the installer to determine what is sufficient to support the line loads. These are only estimates based on industry information.

### Schedule 10 Pipe Hanger Spacing

Pipe Size	Maximum Spacing (ft)
3/8" - 3/4"	6
1" - 1-1/4"	8
1-1/2" - 3"	10
4" - 8"	12

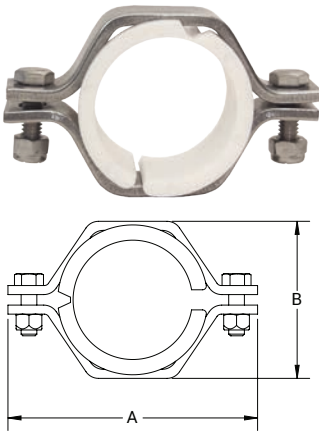
Pipe Size Hangers

Hex Hanger with Rubber Grommets - B24RV



Pipe Size	A (in)	B (in)	C (in)	304 Stainless Steel Part #
1/2"	3.38	2.25	1.00	B24RV-G50
3/4"	3.38	2.19	1.00	B24RV-G75
1"	3.70	2.20	1.00	B24RV-G100
1-1/2"	4.40	2.80	1.00	B24RV-G150
2"	5.00	3.30	1.00	B24RV-G200
2-1/2"	5.60	3.70	1.00	B24RV-G250
3"	6.10	4.30	1.00	B24RV-G300
4"	7.60	5.00	1.00	B24RV-G400
6"	9.80	7.20	1.50	B24RV-G600
8"	12.25	9.38	1.50	B24RV-G800

Hex Hanger with Polypropylene Sleeves - B24PV



Pipe Size	A (in)	B (in)	304 Stainless Steel Part #
1/2"	3.38	1.63	B24PV-G50
3/4"	3.38	1.63	B24PV-G75
1"	3.63	2.13	B24PV-G100
1-1/2"	4.31	2.63	B24PV-G150
2"	4.88	3.13	B24PV-G200
2-1/2"	4.88	3.13	B24PV-G250
3"	6.00	4.25	B24PV-G300
4"	7.50	5.63	B24PV-G400
5"	8.50	6.38	B24PV-G500
6"	9.75	7.38	B24PV-G600
8"	11.38	9.38	B24PV-G800

Sleeves - 13PV



Pipe Size	Polypropylene Part #
3/4"	13PV-75
1"	13PV-100
1-1/2"	13PV-150
2"	13PV-200
2-1/2"	13PV-250
3"	13PV-300
4"	13PV-400
6"	13PV-600



## Pipe Size Block Hangers

### Applications

- Clean rooms and mechanical areas; not limited to: biotech, pharmaceutical, food processing, beverage, dairy, cosmetic, chemical, water treatment, and semi-conductor industries
- Low-flow and low-pressure systems with moderate vibration: WFI, SIP, CIP, process, utility, and instrument lines

### Sizes

- 1" - 4" standard; other sizes may be available upon request

### Features

- Insulation envelope: reduced O.D. allows hanger to be buried under the insulation jacket
- ZERO PUDDLE Silicone inserts raised geometry facilitates drainage of liquids on vertical/riser lines
- There are no exposed threads or openings in hardware plates

### Materials

- Silicone insert - 80 durometer; color - blue
- ZERO PUDDLE silicone rubber insert are available with FDA and UL ratings
- 304 stainless steel as standard; 316 available upon request

### Specifications

- Intermittent temperatures from -40°F to 320°F (-40°C to 160°C)
- Continuous temperatures from -20°F to 285°F (-29°C to 140°C)

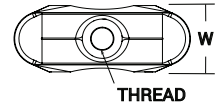
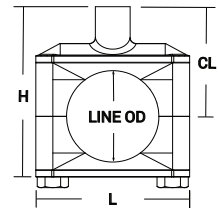
### Approvals

- All plates polished, bolts are cleaned, and nuts are lubricated with FDA-approved product
- Hanger threads match MSS SP-69 rod O.D. requirements



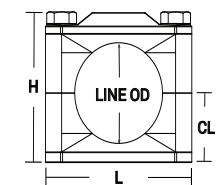
### Hang Plate Block Hangers - B24V-HP

Pipe Size	Line O.D. (in)	H (in)	L (in)	W (in)	CL (in)	Thread	304 Stainless Steel Part #
1"	1.32	2.79	2.49	0.75	0.97	3/8"-16	B24V-HP-G100
1-1/2"	1.90	3.29	2.99	0.88	1.25	3/8"-16	B24V-HP-G150
2"	2.38	5.59	3.36	0.88	1.47	1/2"-13	B24V-HP-G200
2-1/2"	2.88	6.02	3.74	0.88	1.66	1/2"-13	B24V-HP-G250
3"	3.50	6.68	4.48	1.00	2.03	1/2"-13	B24V-HP-G300
4"	4.50	6.24	5.10	1.00	2.50	5/8"-11	B24V-HP-G400

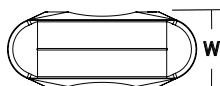
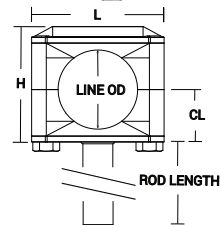
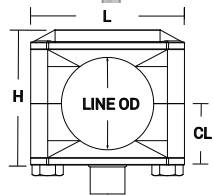
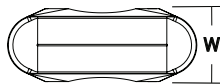
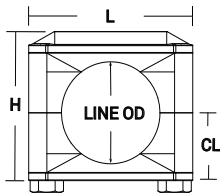


### Weld Plate Block Hangers - B24V-WP

Pipe Size	Line O.D. (in)	H (in)	L (in)	W (in)	CL (in)	304 Stainless Steel Part #
1"	1.32	2.23	2.49	0.75	1.03	B24V-WP-G100
1-1/2"	1.90	2.75	2.99	0.88	1.31	B24V-WP-G150
2"	2.38	3.25	3.36	0.88	1.55	B24V-WP-G200
2-1/2"	2.88	3.68	3.74	0.88	1.70	B24V-WP-G250
3"	3.50	4.15	4.48	1.00	2.06	B24V-WP-G300
4"	4.50	5.27	5.10	1.00	2.58	B24V-WP-G400



### Pipe Size Uni-Hinge Block Hangers



#### Base Mount Block Hangers - B24V-BM

Pipe Size	Line O.D. (in)	H (in)	L (in)	W (in)	CL (in)	Round Coupling		304 Stainless Steel Part #
						Height (in)	Thread	
1"	1.312	2.19	2.49	.75	.97	.47	3/8"-16	B24V-BM-G100
1-1/2"	1.90	2.69	2.99	.88	1.25	.47	3/8"-16	B24V-BM-G150
2"	2.38	3.19	3.36	.88	1.49	.59	1/2"-13	B24V-BM-G200
2-1/2"	2.88	3.63	3.74	.88	1.71	.59	1/2"-13	B24V-BM-G250

#### Base Mount Block Hanger Threaded Couplings - B24V-BMTC

Pipe Size	Line O.D. (in)	H (in)	L (in)	W (in)	CL (in)	Round Coupling		304 Stainless Steel Part #
						Height (in)	Thread	
1"	1.312	2.19	2.49	.75	1.94	.47	3/8"-16	B24V-BM-G100
1-1/2"	1.90	2.69	2.99	.88	2.44	.47	3/8"-16	B24V-BM-G150
2"	2.38	3.19	3.36	.88	2.81	.59	1/2"-13	B24V-BM-G200
2-1/2"	2.88	3.63	3.74	.88	3.19	.59	1/2"-13	B24V-BM-G250

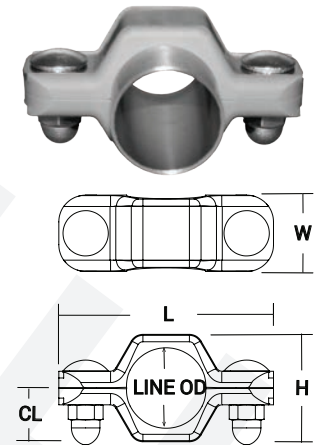
#### Base Mount Block Hanger Rod Mounts - B24V-BMR6

Pipe Size	Line O.D. (in)	H (in)	L (in)	W (in)	CL (in)	Rod (stock length)		304 Stainless Steel Part #
						Length (in)	O.D.	
1"	1.32	2.19	2.49	.75	1.94	6.00	.38	B24V-BMR6-G100
1-1/2"	1.90	2.69	2.99	.88	2.44	6.00	.38	B24V-BMR6-G150
2"	2.38	3.19	3.36	.88	2.81	6.00	.50	B24V-BMR6-G200
2-1/2"	2.88	3.63	3.74	.88	3.19	6.00	.50	B24V-BMR6-G250

## Pipe Size Uni-Hinge Block Hangers

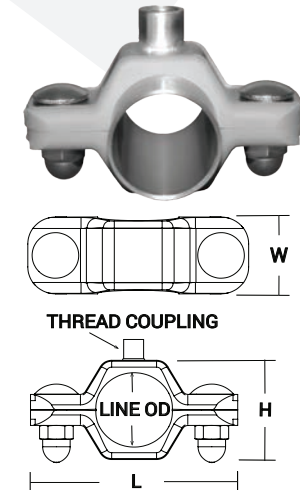
### Process Hex Hanger Weld Mounts - B24V-PH

Pipe Size	Line O.D. (in)	H (in)	L (in)	W (in)	CL (in)	304 Stainless Steel With Acorn Nut Part #	304 Stainless Steel With Lock Nut Part #
1"	1.32	1.96	4.00	1.42	0.98	B24V-PH-G100	B24V-PHL-G100
1-1/2"	1.90	2.50	4.60	1.42	1.25	B24V-PH-G150	B24V-PHL-G150
2"	2.38	3.00	5.10	1.42	1.50	B24V-PH-G200	B24V-PHL-G200
2-1/2"	2.88	3.50	5.60	1.42	1.75	B24V-PH-G250	B24V-PHL-G250
3"	3.50	4.13	6.33	1.42	2.06	B24V-PH-G300	B24V-PHL-G300
4"	4.50	5.12	7.52	1.42	2.65	B24V-PH-G400	B24V-PHL-G400



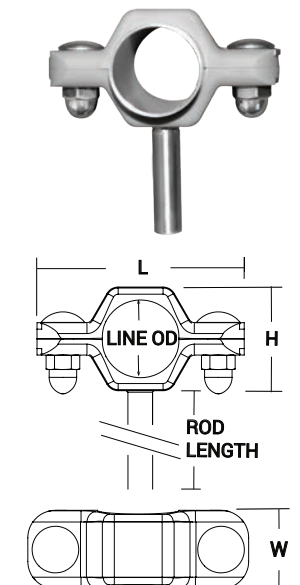
### Process Hex Hanger Weld Mount Threaded Couplings - B24V-PHC

Pipe Size	Line O.D. (in)	H (in)	L (in)	W (in)	Height (in)	Thread (in)	304 Stainless Steel With Acorn Nut Part #	304 Stainless Steel With Lock Nut Part #
1"	1.32	1.96	4.00	1.42	0.47	3/8"-16	B24V-PHC-G100	B24V-PHCL-G100
1-1/2"	1.90	2.50	4.60	1.42	0.47	3/8"-16	B24V-PHC-G150	B24V-PHCL-G150
2"	2.38	3.00	5.10	1.42	0.59	1/2"-13	B24V-PHC-G200	B24V-PHCL-G200
2-1/2"	2.88	3.50	5.60	1.42	0.59	1/2"-13	B24V-PHC-G250	B24V-PHCL-G250
3"	3.50	4.13	6.33	1.42	0.59	1/2"-13	B24V-PHC-G300	B24V-PHCL-G300
4"	4.50	5.12	7.52	1.42	0.59	1/2"-13	B24V-PHC-G400	B24V-PHCL-G400



### Process Hex Hanger Weld Mounts Rod Attached - B24V-PH6R

Pipe Size	Line O.D. (in)	H (in)	L (in)	W (in)	Length (in)	O.D. (in)	304 Stainless Steel With Acorn Nut Part #	304 Stainless Steel With Lock Nut Part #
1"	1.32	1.96	4.00	1.42	6.00	0.38	B24V-PH6R-G100	B24V-PH6RL-G100
1-1/2"	1.90	2.50	4.60	1.42	6.00	0.38	B24V-PH6R-G150	B24V-PH6RL-G150
2"	2.38	3.00	5.10	1.42	6.00	0.50	B24V-PH6R-G200	B24V-PH6RL-G200
2-1/2"	2.88	3.50	5.60	1.42	6.00	0.50	B24V-PH6R-G250	B24V-PH6RL-G250
3"	3.50	4.13	6.33	1.42	6.00	0.50	B24V-PH6R-G300	B24V-PH6RL-G300
4"	4.50	5.12	7.52	1.42	6.00	0.63	B24V-PH6R-G400	B24V-PH6RL-G400



Schedule 5S and 10S Pipe Gaskets

Nitrile Rubber - 40MPV-U, Black

Feature

- Color code: red dot

Approval


- Meets 21CFR 177.2600



Size	Nitrile Rubber Part #
1"	40MPV-U100
1-1/2"	40MPV-U150
2"	40MPV-U200
2-1/2"	40MPV-U250
3"	40MPV-U300
4"	40MPV-U400
6"	40MPV-U600

PTFE - 40MPV-G, White

Features


- Color code: no dot
- Not recommended for use with bolted clamps 

Approvals

- Meets 21CFR 177.1550
- Passed U.S.P. Class VI Cytotoxicity testing



Size	PTFE Part #
1"	40MPV-G100
1-1/2"	40MPV-G150
2"	40MPV-G200
2-1/2"	40MPV-G250
3"	40MPV-G300
4"	40MPV-G400
6"	40MPV-G600

PTFE is a material subject to plastic flow. When cycled through heat and then cooled down in process lines, PTFE gaskets will not return to the original configuration, and it will continue to compress as the cycling continues. This plastic flow will allow leakage if clamp torques are not maintained. 

Visit [dixonvalve.com](http://dixonvalve.com) for sizing charts

## Schedule 5S and 10S Pipe Gaskets

### EPDM - 40MPV-E, Black

#### Feature

- Color code: 3 green dots

#### Approvals

- Meets 21CFR 177.2600
- Passed U.S.P. Class VI Cytotoxicity testing

Size	EPDM Part #
1"	40MPV-E100
1-1/2"	40MPV-E150
2"	40MPV-E200
2-1/2"	40MPV-E250
3"	40MPV-E300
4"	40MPV-E400
6"	40MPV-E600



### FKM - 40MPV-SFY, Black

#### Feature

- Color code: 1 white dot, 1 yellow dot

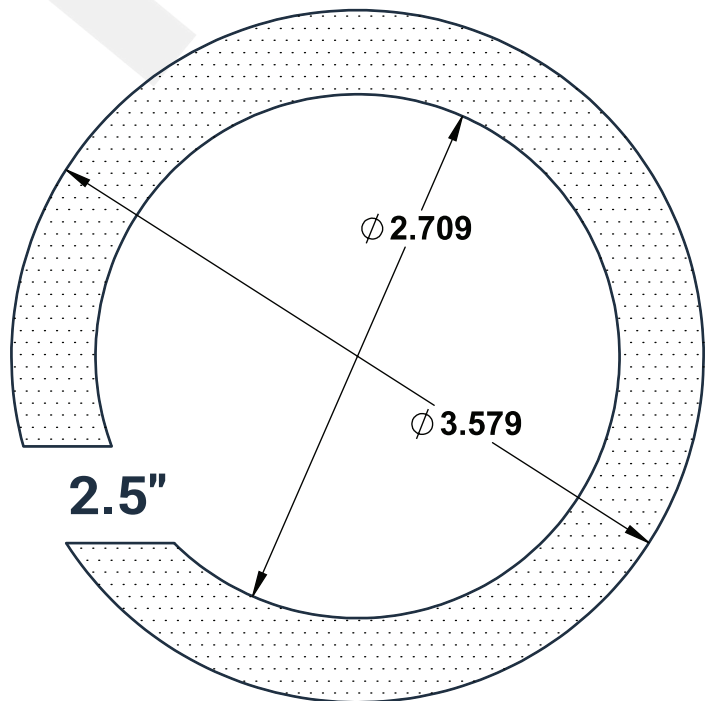
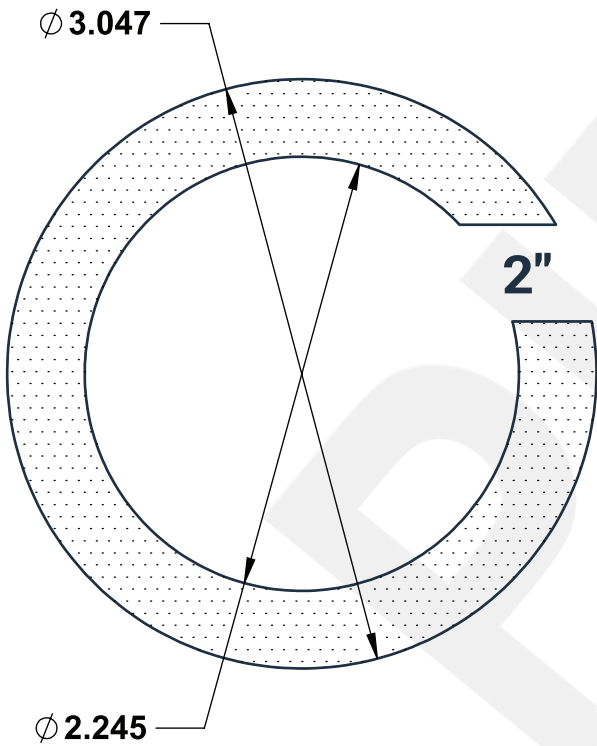
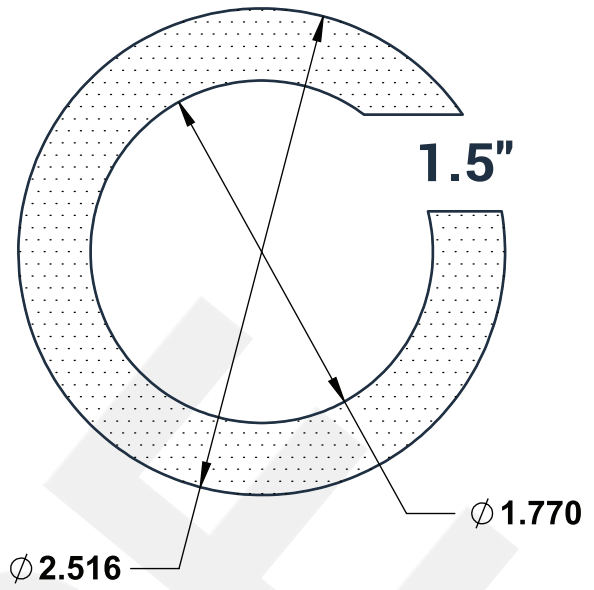
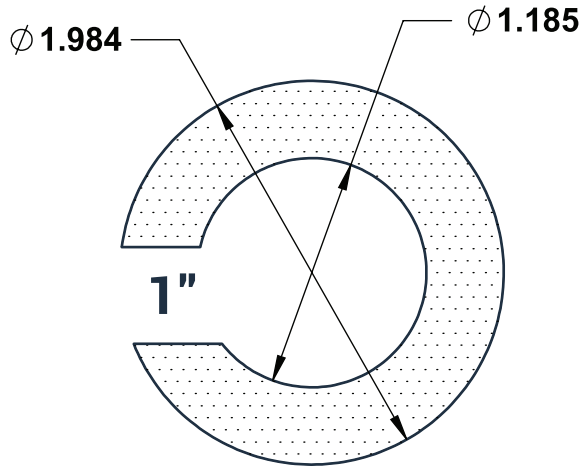
#### Approvals

- Meets 21CFR 177.2600
- Passed U.S.P. Class VI Cytotoxicity testing

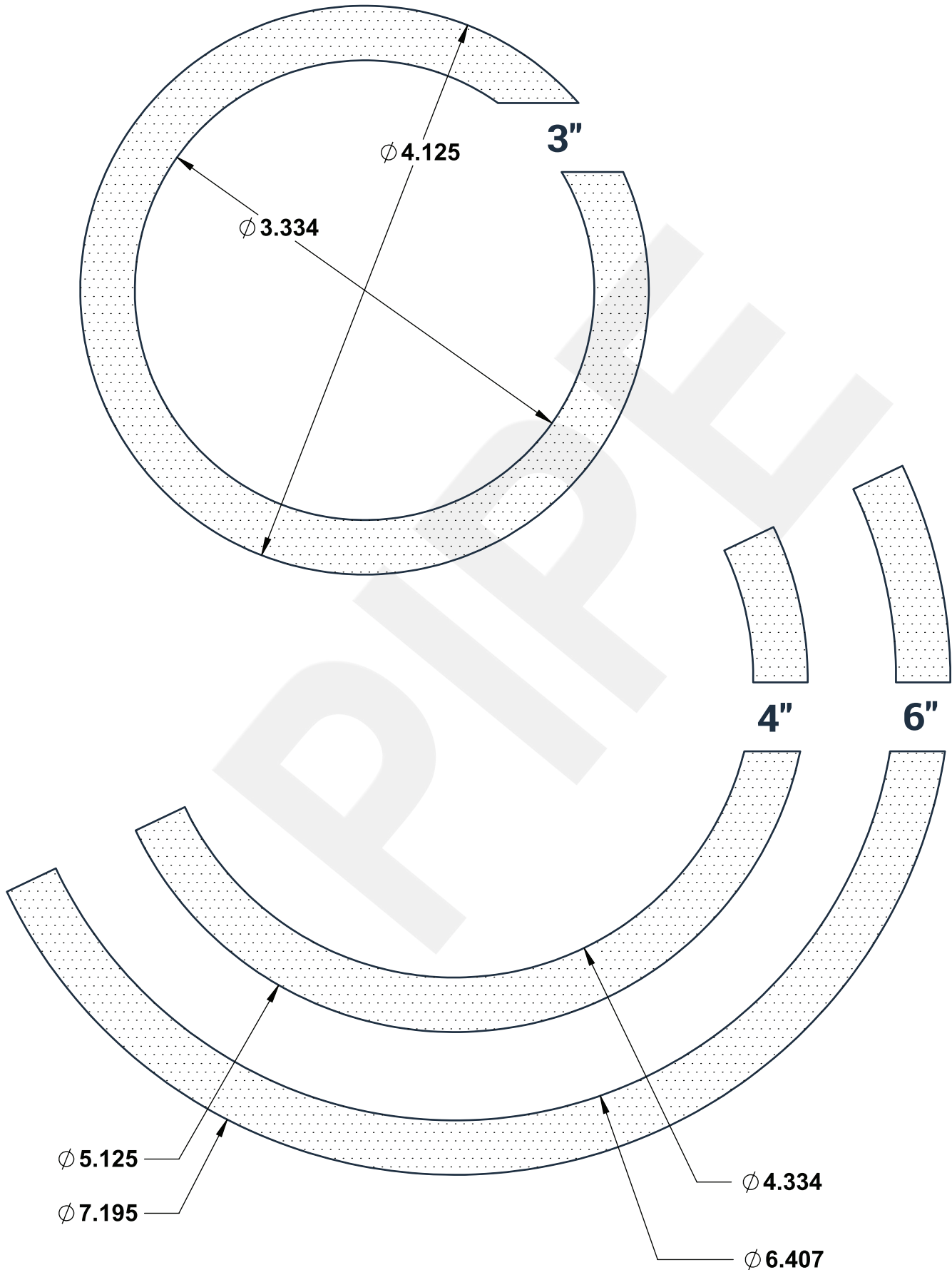
Size	FKM Part #
1"	40MPV-SFY100
1-1/2"	40MPV-SFY150
2"	40MPV-SFY200
2-1/2"	40MPV-SFY250
3"	40MPV-SFY300
4"	40MPV-SFY400
6"	40MPV-SFY600



Pipe Gasket Sizing Guide



### Pipe Gasket Sizing Guide



## Sanitary Gaskets



<b>Types</b>	<b>Pages</b>
• Clamp .....	96-103
• Bevel seat .....	104-105
• I-line / Q-line.....	106-107
• John Perry.....	108-109
• Euro .....	110-111
• Clamp gasket sizing chart .....	112-114

- Materials**
- Nitrile rubber
  - Silicone (peroxide cured)
  - Silicone (platinum cured)
  - EPDM
  - FKM
  - PTFE

- Approvals**
- U.S. Pharmacopoeia Class VI Cytotoxicity Criteria
  - Title 21CFR177.2600 & .1550
  - USDA and 3A Sanitary Standards

All elastomeric gaskets require periodic replacement. Gasket life is influenced by the gasket material, product application, temperature, cleaning procedures, etc. After monitoring gasket conditions in a process system, a schedule should be developed for replacement of gaskets.

### Color Coding - Identification of Gasket Materials

Elastomer	Part # Identifier	Color Code	Temperature	
			Farenheit	Celsius
Nitrile rubber	U	1 red dot	-30°F to 200°F	-34°C to 93°C
White nitrile rubber	UW	1 red dot	-30°F to 200°F	-34°C to 93°C
EPDM peroxide cured	E	3 green dots	-30°F to 300°F	-34°C to 149°C
FKM	SFY	1 white dot and 1 yellow dot	-30°F to 400°F	-34°C to 204°C
Silicone peroxide cured (white)	XW	1 pink dot	-40°F to 450°F	-40°C to 232°C
Silicone platinum cured (clear)	XCPL	none	-40°F to 450°F	-40°C to 232°C
PTFE	G	none	-100°F to 500°F	-73°C to 260°C
Metal detectable PTFE	GZ	none	-320°F to 550°F	-195°C to 288°C
Metal detectable nitrile rubber	UZ	2 blue dots and 1 red dot	-30°F to 200°F	-34°C to 93°C
Metal detectable EPDM	EZ	2 blue dots and 3 green dots	-30°F to 300°F	-34°C to 149°C
Metal detectable FKM	SFYZ	2 blue dots and 1 white dot and 1 yellow dot	-30°F to 400°F	-34°C to 204°C
Metal detectable Silicone	XZ	2 blue dots and 1 pink dot	-40°F to 450°F	-40°C to 232°C

### Packaging and Storing Information

The shelf life of rubber gaskets is the maximum period from cure date to the date the product is installed. During the shelf life time, the rubber product is expected to retain its characteristics under the following conditions:

- Stored in original packaging in a clean, dry warehouse
- Not exposed to direct sunlight
- Stored no closer than 6 feet from electric motors
- Temperature between **65°F to 85°F (18°C to 29°C)**

A guideline for shelf life of rubber gaskets manufactured from the following components should have the following shelf life not to exceed:

- Nitrile rubber ..... 10 years
- EPDM..... 10 years
- FKM ..... 10 years
- Silicone..... 5 years
- PTFE ..... 20 years
- Nitrile rubber, EPDM, and Silicone Metal Detectable Gaskets.... 10 years



## Particulate Reference Chart

### 316 Square Mesh Wire Gasket Information

Mesh	Micron Equivalent	Opening Width	Wire Diameter	Openings per Square Inch
4	5410	.215	.035	16
6	3220	.132	.035	36
8	2460	.097	.028	64
10	1910	.075 <sup>1</sup>	.025	81
12	1520	.060	.023	100
14	1310	.051 <sup>2</sup>	.020	196
16	1130	.046	.018	256
20	860	.034	.016	400
30	540	.017	.011	900
40	377	.015	.010	1600
50	276	.011	.009	2500
60	226	.009 <sup>3</sup>	.008	3600
80	176	.007 <sup>3</sup>	.006	6400
100	151	.006 <sup>3</sup>	.005	10,000
120	120	.005 <sup>3</sup>	.004	14,400
150	103	.004	.003	22,500
200	73	.003	.002	40,000



<sup>1</sup> Standard size for clamp style gaskets

<sup>2</sup> Standard size for bevel seat size gaskets

<sup>3</sup> Available in only 1", 1-1/2" and 2" sizes

NOTE: Special order parts, minimum order quantities required

### Perforated 316 Disc Information

Hole Diameter	Micron Equivalent	Open Area
.033" <sup>1</sup>	803	28%
.063"	1573	23%
.100"	2517	33%
.125"	3148	40%
.250"	6350	58%



<sup>1</sup> Standard size for clamp style

NOTE: 1 micron = .00003973 inches

Special order - minimums apply

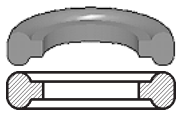
## Clamp Gaskets

### Specifications

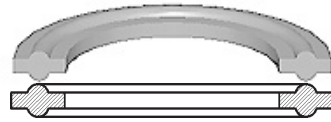
- PSI Service Ratings for the sanitary clamps DO NOT APPLY to connections (1" and above) using any PTFE gaskets, due to the potential for cold flow under normal operating conditions. PTFE gaskets, when used with any clamp, are likely to leak at pressures far below the published service ratings. This restriction does not apply to the fractionally sized 1/2" and 3/4" connections, due to their recessed, fully contained design.

### Approval

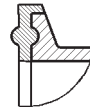
- Gasket material approved by  (3A), USDA and complies with FDA's 21CFR177.2600 and 1550



Mini



Standard - type 1



Flanged - type 2

### Clamp Gaskets - Nitrile Rubber



Type 1 - Standard  
1" and larger



Type 1 - Standard  
1/2" - 3/4"

#### Features

- Sulfur cured
- Color code: one red dot

#### Approval

- Meets 21CFR 177.2600

Size	Black Part #	White Part #	Red Part #	Blue Part #
1/2"	42MP-U50	42MP-UW50	42MP-U50RD	42MP-U50BL
3/4"	42MP-U75	42MP-UW75	42MP-U75RD	42MP-U75BL
1"	40MP-U100	40MP-UW100	40MP-U100RD	40MP-U100BL
1-1/2"	40MP-U150	40MP-UW150	40MP-U150RD	40MP-U150BL
2"	40MP-U200	40MP-UW200	40MP-U200RD	40MP-U200BL
2-1/2"	40MP-U250	40MP-UW250	40MP-U250RD	40MP-U250BL
3"	40MP-U300	40MP-UW300	40MP-U300RD	40MP-U300BL
4"	40MP-U400	40MP-UW400	40MP-U400RD	40MP-U400BL
5"	40MP-U500	40MP-UW500	40MP-U500RD	40MP-U500BL
6"	40MP-U600	40MP-UW600	40MP-U600RD	40MP-U600BL
8"	40MP-U800	40MP-UW800	40MP-U800RD	40MP-U800BL

NOTE: Also available in green, yellow, pink, orange, and purple

### Clamp Gaskets - EPDM



Type 1 - Standard  
1" and larger



Type 1 - Standard  
1/2" - 3/4"

#### Features

- Color code: three green dots
- Peroxide cured

#### Approvals

- Meets 21CFR 177.2600
- Passed U.S.P. Class VI Cytotoxicity testing

Size	Black Part #	White Part #	Red Part #	Blue Part #	Green Part #	Yellow Part #
1/2"	42MP-E50	42MP-E50WH	42MP-E50RD	42MP-E50BL	42MP-E50GN	42MP-E50YL
3/4"	42MP-E75	42MP-E75WH	42MP-E75RD	42MP-E75BL	42MP-E75GN	42MP-E75YL
1"	40MP-E100	40MP-E100WH	40MP-E100RD	40MP-E100BL	40MP-E100GN	40MP-E100YL
1-1/2"	40MP-E150	40MP-E150WH	40MP-E150RD	40MP-E150BL	40MP-E150GN	40MP-E150YL
2"	40MP-E200	40MP-E200WH	40MP-E200RD	40MP-E200BL	40MP-E200GN	40MP-E200YL
2-1/2"	40MP-E250	40MP-E250WH	40MP-E250RD	40MP-E250BL	40MP-E250GN	40MP-E250YL
3"	40MP-E300	40MP-E300WH	40MP-E300RD	40MP-E300BL	40MP-E300GN	40MP-E300YL
4"	40MP-E400	40MP-E400WH	40MP-E400RD	40MP-E400BL	40MP-E400GN	40MP-E400YL
5"	40MP-E500	40MP-E500WH	40MP-E500RD	40MP-E500BL	40MP-E500GN	40MP-E500YL
6"	40MP-E600	40MP-E600WH	40MP-E600RD	40MP-E600BL	40MP-E600GN	40MP-E600YL

Visit [dixonvalve.com](http://dixonvalve.com) for sizing charts.

### Clamp Gaskets Clamp Gaskets - FKM

Size	Black Part #
1/2"	42MP-SFY50
3/4"	42MP-SFY75
1"	40MP-SFY100
1-1/2"	40MP-SFY150
2"	40MP-SFY200
2-1/2"	40MP-SFY250
3"	40MP-SFY300
4"	40MP-SFY400
5"	40MP-SFY500
6"	40MP-SFY600
8"	40MP-SFY800

NOTE: Also available in blue, green, purple, pink, red, and yellow

**Feature**

- Color code: one white dot and one yellow dot

**Approvals**

- Meets 21CFR 177.2600
- Passed U.S.P. Class VI Cytotoxicity testing



Type 1 - Standard  
1/2" - 3/4"



Type 1 - Standard  
1" and larger

### Clamp Gaskets - Silicone

Size	White Part #
1/2"	42MP-XW50
3/4"	42MP-XW75
1"	40MP-XW100
1-1/2"	40MP-XW150
2"	40MP-XW200
2-1/2"	40MP-XW250
3"	40MP-XW300
4"	40MP-XW400
6"	40MP-XW600

**Features**

- Color code: one pink dot
- Peroxide cured

**Approvals**

- Meets 21CFR 177.2600
- Passed U.S.P. Class VI Cytotoxicity testing



Type 1 - Standard  
1/2" - 3/4"



Type 1 - Standard  
1" and larger

### Clamp Gaskets - Silicone

Size	Clear Part #
1/2"	42MP-XCPL50
3/4"	42MP-XCPL75
1"	40MP-XCPL100
1-1/2"	40MP-XCPL150
2"	40MP-XCPL200
2-1/2"	40MP-XCPL250
3"	40MP-XCPL300
4"	40MP-XCPL400
5"	40MP-XCPL500
6"	40MP-XCPL600
8"	40MP-XCPL800

**Features**

- Color code: no dot
- Platinum cured

**Approvals**

- Meets 21CFR 177.2600
- Passed U.S.P. Class VI Cytotoxicity testing



Type 1 - Standard  
1/2" - 3/4"



Type 1 - Standard  
1" and larger

### Clamp Gaskets - PTFE

Size	White Part #
1/2"	42MP-G50
3/4"	42MP-G75
1"	40MP-G100
1-1/2"	40MP-G150
2"	40MP-G200
2-1/2"	40MP-G250
3"	40MP-G300
4"	40MP-G400
5"	40MP-G500
6"	40MP-G600
8"	40MP-G800
10"	40MP-G1000
12"	40MP-G1200

**Features**

- Color code: no dot
- Not recommended for use with bolted clamps

**Approvals**

- Meets 21CFR 177.1550
- Passed U.S.P. Class VI Cytotoxicity testing



Type 1 - Standard  
1/2" - 3/4"



Type 1 - Standard  
1" and larger

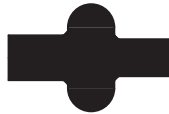


NOTE: PTFE is a material subject to plastic flow. When cycled through heat and then cooled down in process lines, PTFE gaskets will not return to the original configuration, and it will continue to compress as the cycling continues. This plastic flow will allow leakage if clamp torques are not maintained. Visit [dixonvalve.com](http://dixonvalve.com) for sizing charts.

**Metal and X-ray Detectable Clamp Gaskets**



Type 1 - Standard  
1/2" - 3/4"



Type 1 - Standard  
1" and larger

**Materials**

- Metal detectable gaskets are impregnated with stainless steel particles, the addition of stainless steel allows a gasket or gasket pieces to be found with metal detection equipment

**Nitrile Rubber - Metal and X-ray Detectable Clamp Gaskets**

**Feature**

- Color code: two blue dots and one red dot

**Approval**

- Meets 21CFR 177.2600

NOTE: Also available in red, yellow, green, and purple

Size	Black Part #	Blue Part #
1/2"	42MP-UZ50	42MP-UZ50BL
3/4"	42MP-UZ75	42MP-UZ75BL
1"	40MP-UZ100	40MP-UZ100BL
1-1/2"	40MP-UZ150	40MP-UZ150BL
2"	40MP-UZ200	40MP-UZ200BL
2-1/2"	40MP-UZ250	40MP-UZ250BL
3"	40MP-UZ300	40MP-UZ300BL
4"	40MP-UZ400	40MP-UZ400BL
5"	40MP-UZ500	40MP-UZ500BL
6"	40MP-UZ600	40MP-UZ600BL
8"	40MP-UZ800	40MP-UZ800BL
10"	40MP-UZ1000	40MP-UZ1000BL
12"	40MP-UZ1200	40MP-UZ1200BL

**EPDM - Metal and X-ray Detectable Clamp Gaskets**

**Feature**

- Color code: two blue dots and three green dots

**Approvals**

- Meets 21CFR 177.2600
- Passed U.S.P Class VI Cytotoxicity testing

NOTE: Also available in red, yellow, and green

Size	Black Part #	Blue Part #
1/2"	42MP-EZ50	42MP-EZ50BL
3/4"	42MP-EZ75	42MP-EZ75BL
1"	40MP-EZ100	40MP-EZ100BL
1-1/2"	40MP-EZ150	40MP-EZ150BL
2"	40MP-EZ200	40MP-EZ200BL
2-1/2"	40MP-EZ250	40MP-EZ250BL
3"	40MP-EZ300	40MP-EZ300BL
4"	40MP-EZ400	40MP-EZ400BL
6"	40MP-EZ600	40MP-EZ600BL
8"	40MP-EZ800	40MP-EZ800BL
10"	40MP-EZ1000	40MP-EZ1000BL

**FKM - Metal and X-ray Detectable Clamp Gaskets**

**Feature**

- Color code: two blue dots, one white dot, and one yellow dot

**Approvals**

- Meets 21CFR 177.2600
- Passed U.S.P Class VI Cytotoxicity testing

NOTE: Also available in red, and blue

Size	Black Part #
1/2"	42MP-SFYZ50
3/4"	42MP-SFYZ75
1"	40MP-SFYZ100
1-1/2"	40MP-SFYZ150
2"	40MP-SFYZ200
2-1/2"	40MP-SFYZ250
3"	40MP-SFYZ300
4"	40MP-SFYZ400
6"	40MP-SFYZ600

**Silicone - Metal and X-ray Detectable Clamp Gaskets**

**Feature**

- Color code: two blue dots and one pink dot

**Approvals**

- Meets 21CFR 177.2600
- Passed U.S.P Class VI Cytotoxicity testing

Size	Blue Part #	Red Part #
1/2"	42MP-XZ50BL	42MP-XZ50RD
3/4"	42MP-XZ75BL	42MP-XZ75RD
1"	40MP-XZ100BL	40MP-XZ100RD
1-1/2"	40MP-XZ150BL	40MP-XZ150RD
2"	40MP-XZ200BL	40MP-XZ200RD
2-1/2"	40MP-XZ250BL	40MP-XZ250RD
3"	40MP-XZ300BL	40MP-XZ300RD
4"	40MP-XZ400BL	40MP-XZ400RD
6"	40MP-XZ600BL	40MP-XZ800RD
8"	40MP-XZ800BL	40MP-XZ1000RD

Visit [dixonvalve.com](http://dixonvalve.com) for sizing charts.

## Flanged Clamp Gaskets

### Flanged Clamp Gaskets - Black

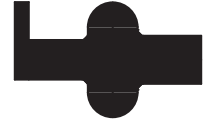
Size	Nitrile Rubber Part #
1"	40MPF-U100
1-1/2"	40MPF-U150
2"	40MPF-U200
2-1/2"	40MPF-U250
3"	40MPF-U300
4"	40MPF-U400
6"	40MPF-U600
8"	40MPF-U800
10"	40MPF-U1000
12"	40MPF-U1200

**Feature**

- Color code: one red dot

**Approval**

- Meets 21CFR 177.2600



Type 2 - Flanged  
1" and larger

### Flanged Clamp Gaskets - White

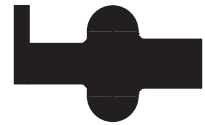
Size	Nitrile Rubber Part #
1"	40MPF-UW100
1-1/2"	40MPF-UW150
2"	40MPF-UW200
2-1/2"	40MPF-UW250
3"	40MPF-UW300
4"	40MPF-UW400
6"	40MPF-UW600
8"	40MPF-UW800
10"	40MPF-UW1000
12"	40MPF-UW1200

**Features**

- Color code: one red dot
- Peroxide cured

**Approval**

- Meets 21CFR 177.2600



Type 2 - Flanged  
1" and larger

### Flanged Clamp Gaskets - Black

Size	EPDM Part #
1"	40MPF-E100
1-1/2"	40MPF-E150
2"	40MPF-E200
2-1/2"	40MPF-E250
3"	40MPF-E300
4"	40MPF-E400
6"	40MPF-E600
8"	40MPF-E800
10"	40MPF-E1000
12"	40MPF-E1200

**Features**

- Color code: three green dots
- Peroxide cured

**Approvals**

- Meets 21CFR 177.2600
- Passed U.S.P. Class VI Cytotoxicity testing



Type 2 - Flanged  
1" and larger

Visit [dixonvalve.com](http://dixonvalve.com) for sizing charts.

## Clamp Flanged Gaskets

### Flanged Clamp Gaskets - Black



Type 2 - Flanged  
1" and larger

**Features**

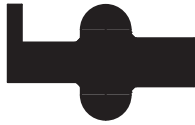
- Color code: one white dot, one yellow dot
- Not recommended for use with bolted clamps

**Approvals**

- Meets 21CFR 177.2600
- Passed U.S.P. Class VI Cytotoxicity testing

Size	FKM Part #
1"	40MPF-SFY100
1-1/2"	40MPF-SFY150
2"	40MPF-SFY200
2-1/2"	40MPF-SFY250
3"	40MPF-SFY300
4"	40MPF-SFY400
6"	40MPF-SFY600
8"	40MPF-SFY800
10"	40MPF-SFY1000
12"	40MPF-SFY1200

### Flanged Clamp Gaskets - White



Type 2 - Flanged  
1" and larger

**Features**

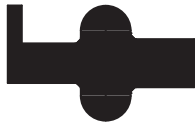
- Color code: one pink dot
- Peroxide cured
- Not recommended for use with bolted clamps

**Approvals**

- Meets 21CFR 177.2600
- Passed U.S.P. Class VI Cytotoxicity testing

Size	Silicone Part #
1"	40MPF-XW100
1-1/2"	40MPF-XW150
2"	40MPF-XW200
2-1/2"	40MPF-XW250
3"	40MPF-XW300
4"	40MPF-XW400
6"	40MPF-XW600
8"	40MPF-XW800
10"	40MPF-XW1000
12"	40MPF-XW1200

### Flanged Clamp Gaskets - Clear



Type 2 - Flanged  
1" and larger

**Features**

- Color code: no dot
- Platinum cured
- Not recommended for use with bolted clamps

**Approvals**

- Meets 21CFR 177.2600
- Passed U.S.P. Class VI Cytotoxicity testing

Size	Silicone Part #
1"	40MPF-XCPL100
1-1/2"	40MPF-XCPL150
2"	40MPF-XCPL200
2-1/2"	40MPF-XCPL250
3"	40MPF-XCPL300
4"	40MPF-XCPL400
6"	40MPF-XCPL600
8"	40MPF-XCPL800
10"	40MPF-XCPL1000

Visit [dixonvalve.com](http://dixonvalve.com) for sizing charts

## Clamp Mesh Screened Gaskets

### Mesh Screen Clamp Gaskets -316 screen

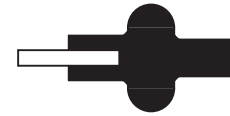
Size	Nitrile Rubber Part #
1"	40MPS-U100
1-1/2"	40MPS-U150
2"	40MPS-U200
2-1/2"	40MPS-U250
3"	40MPS-U300
4"	40MPS-U400

**Feature**

- Color code: one red dot

**Approval**

- Meets 21CFR 177.2600



Type 3 - Mesh

### Mesh Screen Clamp Gaskets - 316 screen

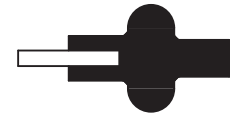
Size	EPDM Part #
1"	40MPS-E100
1-1/2"	40MPS-E150
2"	40MPS-E200
2-1/2"	40MPS-E250
3"	40MPS-E300
4"	40MPS-E400

**Feature**

- Color code: three green dot
- Peroxide cured

**Approval**

- Meets 21CFR 177.2600
- Passed U.S.P. Class VI Cytotoxicity testing



Type 3 - Mesh

### Mesh Screen Clamp Gaskets - 316 screen

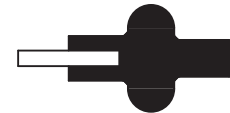
Size	FKM Part #
1"	40MPS-SFY100
1-1/2"	40MPS-SFY150
2"	40MPS-SFY200
2-1/2"	40MPS-SFY250
3"	40MPS-SFY300
4"	40MPS-SFY400

**Feature**

- Color code: one white dot

**Approval**

- Meets 21CFR 177.2600
- Passed U.S.P. Class VI Cytotoxicity testing



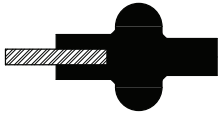
Type 3 - Mesh

NOTE: For other sizes and configurations, contact Dixon Sanitary at 800.789.1718

Visit [dixonvalve.com](http://dixonvalve.com) for sizing charts

## Perforated Clamp Gaskets

### Perforated Clamp Gaskets - .033" holes



Type 3 - Perforated

**Feature**

- Color code: one red dot

**Material**

- Perforated metal disc 316 stainless steel sheet

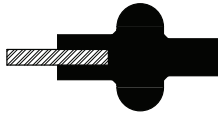
**Approval**

- Meets 21CFR 177.2600

Size	Nitrile Rubber Part #
1"	40MP-UP100
1-1/2"	40MP-UP150
2"	40MP-UP200
2-1/2"	40MP-UP250
3"	40MP-UP300
4"	40MP-UP400

## Orifice Clamp Gaskets

### Orifice Clamp Gaskets - .125" hole



Type 3

**Feature**

- Color code: one red dot

**Material**

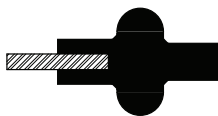
- 316 stainless steel sheet

**Approval**

- Meets 21CFR 177.2600
- Passed U.S.P. Class VI Cytotoxicity testing

Size	Nitrile Rubber Part #
1"	A80MP-U100
1-1/2"	A80MP-U150
2"	A80MP-U200
2-1/2"	A80MP-U250
3"	A80MP-U300
4"	A80MP-U400

### Orifice Clamp Gaskets - .125" hole



Type 3

**Feature**

- Color code: one white dot

**Material**

- 316 stainless steel sheet

**Approval**

- Meets 21CFR 177.2600
- Passed U.S.P. Class VI Cytotoxicity testing

Size	FKM Part #
1"	A80MP-SFY100
1-1/2"	A80MP-SFY150
2"	A80MP-SFY200
2-1/2"	A80MP-SFY250
3"	A80MP-SFY300
4"	A80MP-SFY400

NOTE: For other sizes and configurations, contact Dixon Sanitary at 800.789.1718



## Envelope Clamp Gaskets

### Envelope Clamp Gaskets with EPDM Filler

Size	PTFE Part #
1/2"	42MP-GRE50
3/4"	42MP-GRE75
1"	40MP-GRE100
1-1/2"	40MP-GRE150
2"	40MP-GRE200
2-1/2"	40MP-GRE250
3"	40MP-GRE300
4"	40MP-GRE400
6"	40MP-GRE600
8"	40MP-GRE800

**Features**

- Color code: usually not marked
- Peroxide cured EPDM

**Approvals**

- Meets 21CFR 177.1550
- PTFE Passed U.S.P. Class VI Cytotoxicity testing



### Envelope Clamp Gaskets with FKM Filler

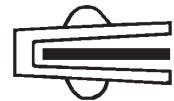
Size	PTFE Part #
1/2"	42MP-GR50
3/4"	42MP-GR75
1"	40MP-GR100
1-1/2"	40MP-GR150
2"	40MP-GR200
2-1/2"	40MP-GR250
3"	40MP-GR300
4"	40MP-GR400
6"	40MP-GR600
8"	40MP-GR800

**Features**

- Color code: usually not marked
- Bisphenol AF cured FKM

**Approvals**

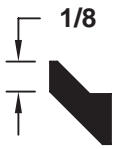
- Meets 21CFR 177.1550
- PTFE Passed U.S.P. Class VI Cytotoxicity testing



NOTE: PTFE is a material subject to plastic flow. When cycled through heat and then cooled down in process lines, PTFE gaskets will not return to the original configuration, and it will continue to compress as the cycling continues. This plastic flow will allow leakage if clamp torques are not maintained.

## Bevel Seat Gaskets

### Bevel Seat Gaskets - Black



**Feature**

- Color code: one red dot

**Approval**

- Meets 21CFR 177.2600

Size	Nitrile Rubber Part #
1"	40BS-O100
1-1/2"	40BS-O150
2"	40BS-O200
2-1/2"	40BS-O250
3"	40BS-O300
4"	40BS-O400

### Flat Bevel Seat Gaskets - Black



**Feature**

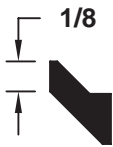
- Color code: one red dot

**Approval**

- Meets 21CFR 177.2600

Size	Nitrile Rubber Part #
1"	40BS-F100
1-1/2"	40BS-F150
2"	40BS-F200
2-1/2"	40BS-F250
3"	40BS-F300
4"	40BS-F400

### Bevel Seat Gaskets - Black



**Features**

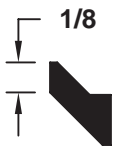
- Color code: three green dots
- Peroxide cured

**Approvals**

- Meets 21CFR 177.2600
- Passed U.S.P. Class VI Cytotoxicity testing

Size	EPDM Part #
1"	40BS-E100
1-1/2"	40BS-E150
2"	40BS-E200
2-1/2"	40BS-E250
3"	40BS-E300
4"	40BS-E400

### Bevel Seat Gaskets - Black



**Feature**

- Color code: one white dot and one yellow dot

**Approvals**

- Meets 21CFR 177.2600
- Passed U.S.P. Class VI Cytotoxicity testing

Size	FKM Part #
1"	40BS-Y100
1-1/2"	40BS-Y150
2"	40BS-Y200
2-1/2"	40BS-Y250
3"	40BS-Y300
4"	40BS-Y400

NOTE: PTFE is a material subject to plastic flow. When cycled through heat and then cooled down in process lines, PTFE gaskets will not return to the original configuration and it will continue to compress as the cycling continues. This plastic flow will allow leakage if clamp torques are not maintained.



Visit [dixonvalve.com](http://dixonvalve.com) for sizing charts

## Bevel Seat Gaskets

### Bevel Seat Gaskets - White

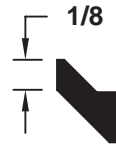
Size	Silicone Part #
1"	40BS-X100
1-1/2"	40BS-X150
2"	40BS-X200
2-1/2"	40BS-X250
3"	40BS-X300
4"	40BS-X400

**Features**

- Color code: no dot
- Peroxide cured

**Approvals**

- Meets 21CFR 177.2600
- Passed U.S.P. Class VI Cytotoxicity testing



### Bevel Seat Gaskets - White

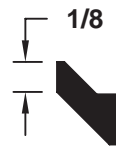
Size	PTFE Part #
1"	40BS-S100
1-1/2"	40BS-S150
2"	40BS-S200
2-1/2"	40BS-S250
3"	40BS-S300
4"	40BS-S400

**Feature**

- Color code: no dot

**Approvals**

- Meets 21CFR 177.1550
- Passed U.S.P. Class VI Cytotoxicity testing



### Bevel Seat Gaskets - White

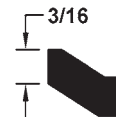
Size	Heavy PTFE Part #
1"	40BS-H100
1-1/2"	40BS-H150
2"	40BS-H200
2-1/2"	40BS-H250
3"	40BS-H300
4"	40BS-H400

**Feature**

- Color code: no dot

**Approvals**

- Meets 21CFR 177.1550
- Passed U.S.P. Class VI Cytotoxicity testing



PTFE is a material subject to plastic flow. When cycled through heat and then cooled down in process lines, PTFE gaskets will not return to the original configuration, and it will continue to compress as the cycling continues. This plastic flow will allow leakage if clamp torques are not maintained.



## I-Line Gaskets

### I-Line Gaskets - Black 3/32"



**Feature**

- Color code: one red dot

**Approval**

- Meets 21CFR 177.2600

Size	Nitrile Rubber Part #
1"	40IH100
1-1/2"	40IH150
2"	40IH200
2-1/2"	40IH250
3"	40IH300
4"	40IH400
6"	40IH600
8"	40IH800

### I-Line Gaskets - White 3/32"



**Features**

- Color code: three green dots
- Peroxide cured

**Approvals**

- Meets 21CFR 177.2600
- Passed U.S.P. Class VI Cytotoxicity testing

Size	EPDM Part #
1"	40IE100
1-1/2"	40IE150
2"	40IE200
2-1/2"	40IE250
3"	40IE300
4"	40IE400
6"	40IE600
8"	40IE800

### I-Line Gaskets - White 1/16"



**Features**

- Color code: three green dots
- Peroxide cured

**Approvals**

- Meets 21CFR 177.2600
- Passed U.S.P. Class VI Cytotoxicity testing

Size	EPDM Part #
1-1/2"	40IE15016
2"	40IE20016
2-1/2"	40IE25016
3"	40IE30016
4"	40IE40016
6"	40IE60016
8"	40IE80016

### I-Line Gaskets - 1/16"



**Features**

- Color code: one white dot and one yellow dot
- Peroxide cured

**Approvals**

- Meets 21CFR 177.1550
- Passed U.S.P. Class VI Cytotoxicity testing

Size	FKM Part #
1"	40IV10016
1-1/2"	40IV15016
2"	40IV20016
2-1/2"	40IV25016
3"	40IV30016
4"	40IV40016
6"	40IV60016
8"	40IV80016

### I-Line Gaskets - 3/32"



**Feature**

- Color code: one white dot and one yellow dot

**Approvals**

- Meets 21CFR 177.1550
- Passed U.S.P. Class VI Cytotoxicity testing

Size	FKM Part #
1"	40IV100
1-1/2"	40IV150
2"	40IV200
2-1/2"	40IV250
3"	40IV300
4"	40IV400
6"	40IV600
8"	40IV800

## I-Line Gaskets

### I-Line Gaskets - 1/16"

Size	PTFE Part #
1"	40IT100
1-1/2"	40IT150
2"	40IT200
2-1/2"	40IT250
3"	40IT300
4"	40IT400
6"	40IT600
8"	40IT800

**Feature**

- Color code: no dot

**Approvals**

- Meets 21CFR 177.1550
- Passed U.S.P. Class VI Cytotoxicity testing



PTFE is a material subject to plastic flow. When cycled through heat and then cooled down in process lines, PTFE gaskets will not return to the original configuration and it will continue to compress as the cycling continues. This plastic flow will allow leakage if clamp torques are not maintained.



## Q-Line Gaskets

### Q-Line Gaskets - Black

Size	Nitrile Rubber Part #
1"	40QH100
1-1/2"	40QH150
2"	40QH200
2-1/2"	40QH250
3"	40QH300
4"	40QH400

**Feature**

- Color code: one red dot

**Approval**

- Meets 21CFR 177.2600



### Q-Line Gaskets - White

Size	PTFE Part #
1"	40QT100
1-1/2"	40QT150
2"	40QT200
2-1/2"	40QT250
3"	40QT300
4"	40QT400

**Feature**

- Color code: no dot

**Approvals**

- Meets 21CFR 177.1550
- Passed U.S.P. Class VI Cytotoxicity testing



PTFE is a material subject to plastic flow. When cycled through heat and then cooled down in process lines, PTFE gaskets will not return to the original configuration, and it will continue to compress as the cycling continues. This plastic flow will allow leakage if clamp torques are not maintained.



## John Perry Gaskets

### John Perry Gaskets

**Feature**

- Color code: one red dot

**Approval**

- Meets 21CFR 177.2600

Size	Nitrile Rubber 80 Duro Part #
1"	40JP-U100
1-1/2"	40JP-U150
2"	40JP-U200
2-1/2"	40JP-U250
3"	40JP-U300
4"	40JP-U400

### John Perry Gaskets

**Features**

- Color code: three green dots
- Peroxide cured

**Approvals**

- Meets 21CFR 177.2600
- Passed U.S.P. Class VI Cytotoxicity testing

Size	EPDM Part #
1"	40JP-E100
1-1/2"	40JP-E150
2"	40JP-E200
2-1/2"	40JP-E250
3"	40JP-E300
4"	40JP-E400

## John Perry Gaskets

### John Perry Gaskets

**Features**

- Color code: one white dot and one yellow dot
- Peroxide cured



**Approvals**

- Meets 21CFR 177.2600
- Passed U.S.P. Class VI Cytotoxicity testing

Size	FKM Part #
1"	40JP-SFY100
1-1/2"	40JP-SFY150
2"	40JP-SFY200
2-1/2"	40JP-SFY250
3"	40JP-SFY300
4"	40JP-SFY400

### John Perry Gaskets

**Feature**

- Color code: no dot



**Approvals**

- Meets 21CFR 177.1550
- Passed U.S.P. Class VI Cytotoxicity testing

Size	Virgin PTFE Part #
1"	40JP-G100
1-1/2"	40JP-G150
2"	40JP-G200
2-1/2"	40JP-G250
3"	40JP-G300
4"	40JP-G400

PTFE is a material subject to plastic flow. When cycled through heat and then cooled down in process lines, PTFE gaskets will not return to the original configuration and it will continue to compress as the cycling continues. This plastic flow will allow leakage if clamp torques are not maintained.



European Fittings - Gaskets

DIN Euro Gaskets - Black

Feature

- Color code: one red dot

Specification

- DIN 11851

Approval

- Meets 21CFR 177.2600

Nominal Size	I.D. (mm)	O.D. (mm)	Nitrile Rubber Part #
1"	29.97	39.88	40MP-U100DIN
1-1/2"	41.91	52.07	40MP-U150DIN
2"	54.10	64.01	40MP-U200DIN
2-1/2"	71.12	81.03	40MP-U250DIN
3"	85.09	95.00	40MP-U300DIN
4"	103.89	114.05	40MP-U400DIN

SMS Euro Gaskets - Black

Features

- Color code: one red dot
- L-style

Approval

- Meets 21CFR 177.2600

Nominal Size	I.D. (mm)	O.D. (mm)	Nitrile Rubber Part #
1"	24.89	32.00	40MP-U100SMS
1-1/2"	37.49	48.00	40MP-U150SMS
2"	50.80	61.00	40MP-U200SMS
2-1/2"	63.50	73.40	40MP-U250SMS
3"	75.95	86.10	40MP-U300SMS
4"	103.89	114.00	40MP-U400SMS



## European Gaskets

### DIN Euro Gaskets - Black

**Feature**

- Color code: three green dots

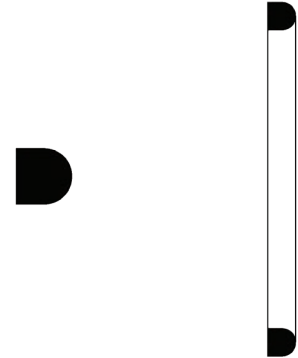
**Specification**

- DIN 11851

**Approval**

- Meets 21CFR 177.2600

Nominal Size	I.D. (mm)	O.D. (mm)	EPDM Part #
1"	29.97	39.88	40MP-E100DIN
1-1/2"	41.91	52.07	40MP-E150DIN
2"	54.10	64.01	40MP-E200DIN
2-1/2"	71.12	81.03	40MP-E250DIN
3"	85.09	95.00	40MP-E300DIN
4"	103.89	114.05	40MP-E400DIN



### SMS Euro Gaskets - Black

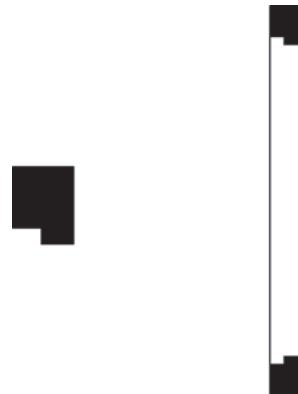
**Features**

- Color code: three green dots
- L-style

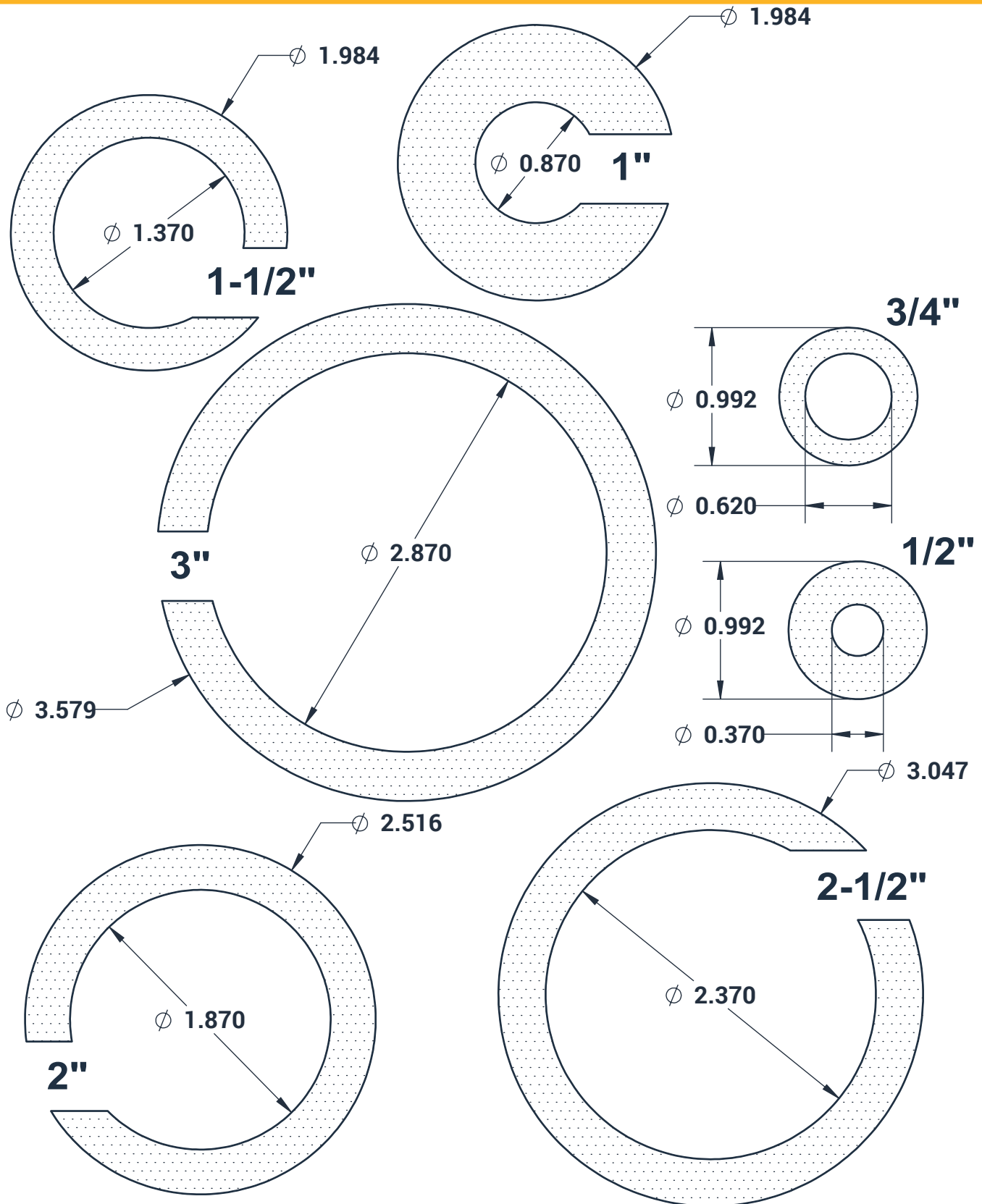
**Approval**

- Meets 21CFR 177.2600

Nominal Size	I.D. (mm)	O.D. (mm)	EPDM Part #
1"	24.89	32.00	40MP-E100SMS
1-1/2"	37.49	48.00	40MP-E150SMS
2"	50.80	61.00	40MP-E200SMS
2-1/2"	63.50	73.40	40MP-E250SMS
3"	75.95	86.10	40MP-E300SMS
4"	103.89	114.00	40MP-E400SMS



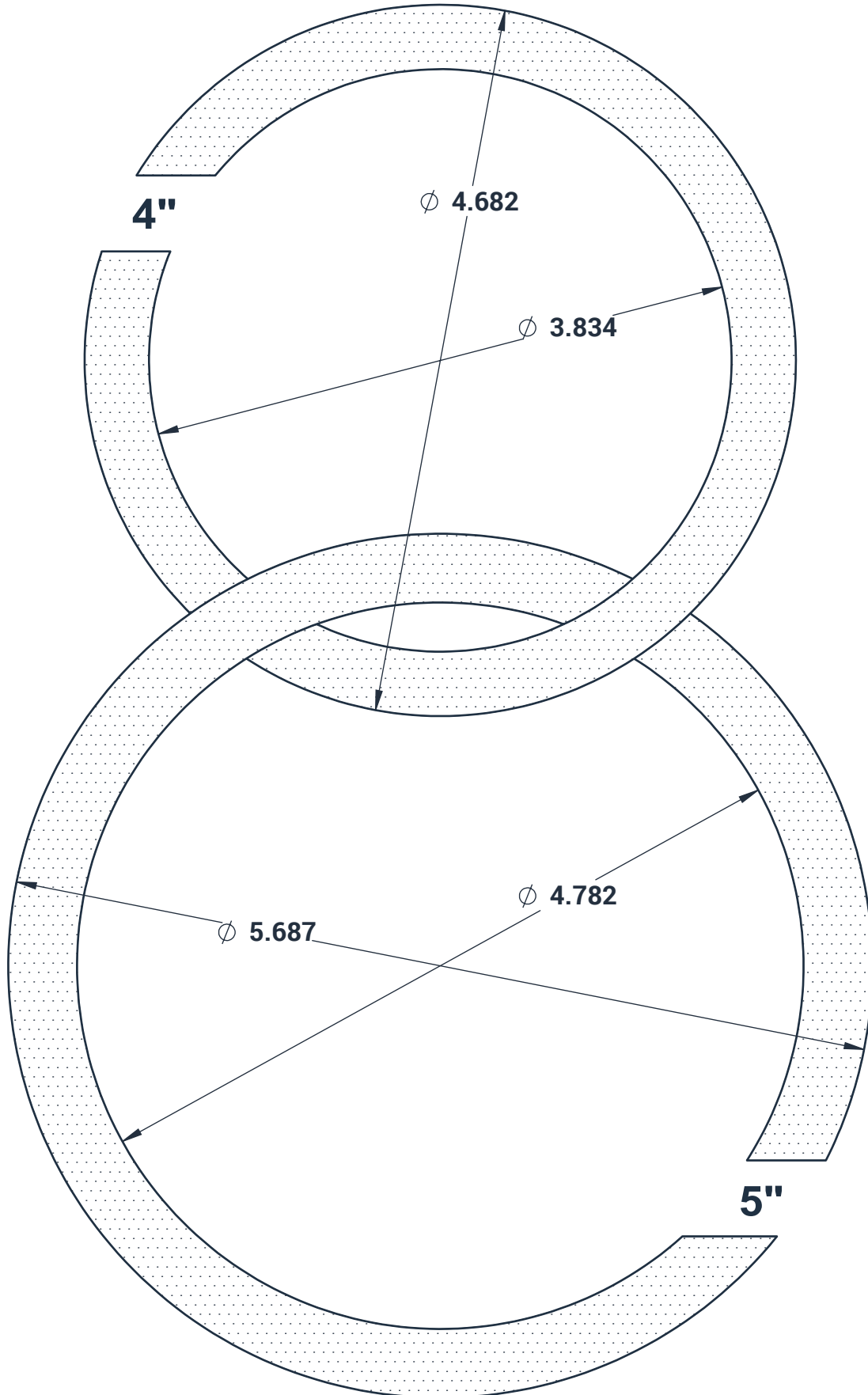
Clamp Fittings and Gasket Sizing Guide



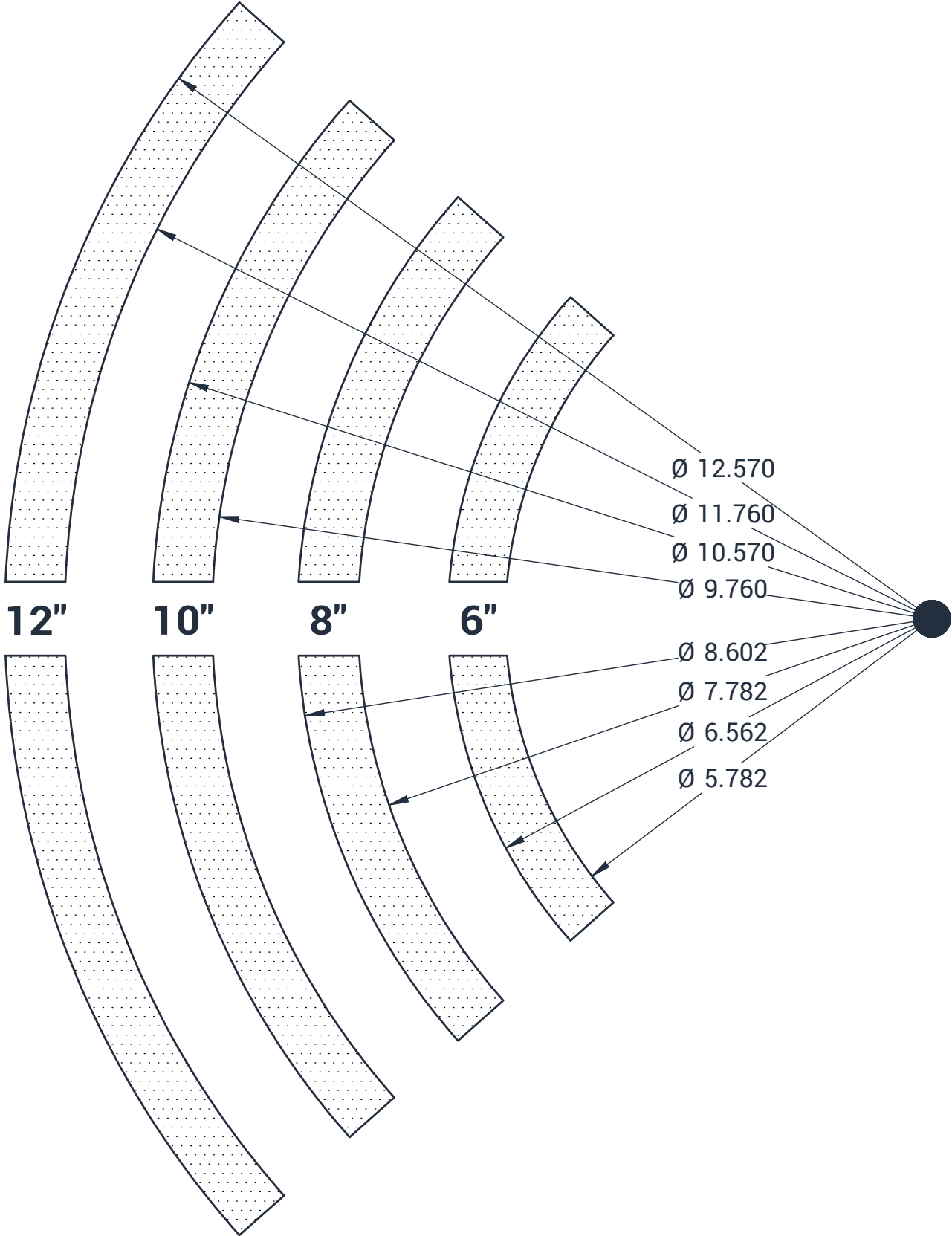
Sanitary Size	O.D. of Clamp End (in)	I.D. of Fitting (in)
1/2"	0.992	0.370
3/4"	0.992	0.620
1"	1.984	0.870
1-1/2"	1.984	1.370
2"	2.516	1.870
2-1/2"	3.047	2.370

Sanitary Size	O.D. of Clamp End (in)	I.D. of Fitting (in)
3"	3.579	2.870
4"	4.682	3.834
6"	6.562	5.782
8"	8.602	7.782
10"	10.570	9.782
12"	12.570	11.760

### Clamp Fittings and Gasket Sizing Guide



Clamp Fittings and Gasket Sizing Guide



## Dixon Sanitary Tubing



Tube O.D.	Nominal Wall Thickness (in)	Wt. Pounds per Ft.
1/2"	.065	0.31
3/4"	.065	0.49
1"	.065	0.67
1-1/2"	.065	1.02
2"	.065	1.36
2-1/2"	.065	1.71
3"	.065	2.06
4"	.083	3.45
6"	.109	6.92

## Size

- 1/2" - 6" O.D. tube

## Features

- Surcharges change MONTHLY
- Tubing available in 20' lengths only
- Broken box charges apply
- Tubing only ships via truck
- Tubing is NOT returnable
- Call Dixon Sanitary at 800.789.1718 for pricing, full freight allowance, and other available sizes

## Materials

- G = 304 stainless steel
- R = 316L stainless steel
- 3A sanitary finish I.D. and O.D.; Typical 32Ra
- Unpolished
- BPE finishes:
  - SF1: 20Ra I.D., 32Ra O.D.
  - SF4: 15Ra I.D., 32Ra O.D.

## Operating Pressures

304 Stainless Steel Tube

Tube O.D.	Nominal Wall Thickness (in)	Pressure (PSI)		
		Working	Yield	Burst
1/2"	.065	4,870	7,800	19,500
3/4"	.065	3,250	5,200	13,000
1"	.065	2,440	3,900	9,800
1-1/2"	.065	1,630	2,600	6,500
2"	.065	1,220	2,000	4,900
2-1/2"	.065	980	1,600	3,900
3"	.065	810	1,300	3,300
4"	.083	780	1,200	3,100
6"	.109	680	1,090	2,720

The pressures shown in the table above are calculated using Barlow's Formula and the following properties:

- Material: 304 stainless steel
- Yield strength (PSI): **30,000**
- Tensile strength (PSI): **75,000**

Working Pressure = 1/4 of Burst Pressure, these calculate from -20°F to 100°F (-29°C to 38°C).

316L Stainless Steel Tube

Tube O.D.	Nominal Wall Thickness (in)	Pressure (PSI)		
		Working	Yield	Burst
1/2"	.065	3,250	6,500	19,500
3/4"	.065	2,167	4,330	13,000
1"	.065	2,280	3,300	9,100
1-1/2"	.065	1,520	2,200	6,100
2"	.065	1,140	1,600	4,600
2-1/2"	.065	910	1,300	3,600
3"	.065	760	1,100	3,000
4"	.083	730	1,000	2,900
6"	.109	635	900	2,540

The pressures shown in the table above are calculated using Barlow's Formula and the following properties:

- Material: 316L stainless steel
- Yield strength (PSI): **25,000**
- Tensile strength (PSI): **70,000**

Working Pressure = 1/4 of Burst Pressure, these calculate from -20°F to 100°F (-29°C to 38°C).



Pipe size and tube O.D. size materials are not interchangeable



### ASTM-A270 Polished I.D. and O.D. Tubing

**Feature**

- ASTM-A270-02 welded austenitic stainless steel sanitary tubing



Size	Nominal Wall Thickness (in)	Box Quantity/ Sticks	Tubing Type	316L Stainless Steel Part #	304 Stainless Steel Part #
1/2"	0.065	100' / 5	Seamless	A270-R50P	--
3/4"	0.065	100' / 5	Seamless	A270-R75P	--
1"	0.065	280' / 14	Laser Weld	A270-R100P	A270-G100P
1-1/2"	0.065	340' / 17	Laser Weld	A270-R150P	A270-G150P
2"	0.065	340' / 17	Laser Weld	A270-R200P	A270-G200P
2-1/2"	0.065	220' / 11	Laser Weld	A270-R250P	A270-G250P
3"	0.065	220' / 11	Laser Weld	A270-R300P	A270-G300P
4"	0.065	100' / 5	Laser Weld	--	A270.065-G400P
4"	0.083	100' / 5	Laser Weld	A270.083-R400P	A270.083-G400P
5"	0.083	40' / 2	Passivated Laser Weld	--	A270.083-G500P
6"	0.083	40' / 2	Passivated Laser Weld	--	A270.083-G600P
6"	0.109	40' / 2	Passivated Laser Weld	A270.109-R600P	A270.109-G600P
8"	0.109	40' / 2	Passivated Laser Weld	A270-R800P	A270-G800P

### ASTM-A269 Unpolished I.D. and O.D. Tubing

**Feature**

- ASTM-A269-02 welded austenitic stainless steel sanitary tubing for general service



Size	Nominal Wall Thickness (in)	Box Quantity/ Sticks	Tubing Type	316L Stainless Steel Part #	304 Stainless Steel Part #
1"	0.065	280' / 14	Laser Weld	A269-R100U	A269-G100U
1-1/2"	0.065	340' / 17	Laser Weld	A269-R150U	A269-G150U
2"	0.065	340' / 17	Laser Weld	A269-R200U	A269-G200U
2-1/2"	0.065	220' / 11	Laser Weld	A269-R250U	A269-G250U
3"	0.065	220' / 11	Laser Weld	A269-R300U	A269-G300U
4"	0.065	100' / 5	Laser Weld	--	A269.065-G400U
4"	0.083	100' / 5	Laser Weld	A269.083-R400U	A269.083-G400U
5"	0.083	40' / 2	Passivated Laser Weld	--	A269.083-G500U
6"	0.083	40' / 2	Passivated Laser Weld	--	A269.083-G600U
6"	0.109	40' / 2	Passivated Laser Weld	A269.109-R600U	A269.109-G600U
8"	0.109	40' / 2	Passivated Laser Weld	A269-R800U	A269-G800U

## ASTM-A270 BPE Polished I.D. and O.D. Polished Tubing

**Feature**

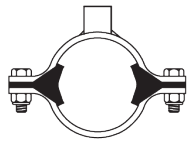
- ASTM-A270-S2 laser welded tubing

Size	Nominal Wall Thickness (in)	Box Quantity/ Sticks	Tubing Type	Surface Finish	
				SF1	SF4
1/2"	0.065	100' / 5	Seamless	A270-R050PL	A270-050PM
3/4"	0.065	100' / 5	Seamless	A270-R075PL	A270-075PM
1"	0.065	280' / 14	Laser Weld	A270-R100PL	A270-100PM
1-1/2"	0.065	340' / 17	Laser Weld	A270-R150PL	A270-150PM
2"	0.065	340' / 17	Laser Weld	A270-R200PL	A270-200PM
2-1/2"	0.065	220' / 11	Laser Weld	A270-R250PL	A270-250PM
3"	0.065	220' / 11	Laser Weld	A270-R300PL	A270-300PM
4"	0.083	100' / 5	Laser Weld	A270-R400PL	A270-400PM
6"	0.109	40' / 2	Passivated Laser Weld	A270-R600PL	A270-600PM



PM Finish - Mechanical Polish - 20Ra maximum I.D., 32Ra maximum O.D.  
 PL Finish- Electropolish - 15Ra maximum I.D., 32Ra maximum O.D.

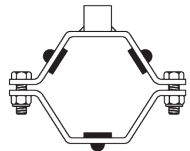
### Dixon Sanitary Tube Hangers



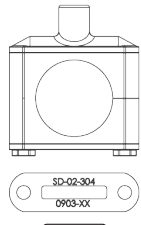
round hanger with coupler



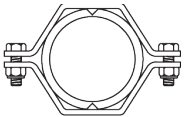
hex hanger



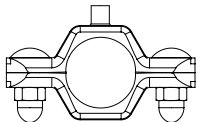
hex hanger with coupler



block hanger



hex hanger with sleeve



Process hex hanger

**Sizes**

- 1/2" - 12" O.D. tube

**Materials**

- Hanger base: 304 stainless steel
- Hanger inserts:
  - Rubber rated to 230°F (110°C)
  - ABS (sleeve) rated to 230°F (110°C)
  - FKM rated to 400°F (204°C)
  - Polypropylene rated to 212°F (100°C)
  - Polysulfone rated to 325°F (163°C)
  - Silicone rated to 320°F (160°C)

**Primary Markets**

- Found in the food processing, beverage, dairy, personal care, pet products, wineries and breweries, oil extraction, semi-conductor, and industrial markets

**Support Recommendations**

Hangers and/or supports should be spaced as far apart as economically possible, with consideration to assure that the sag of the pipe between supports is within limits that will permit drainage and also avoid excessive bending stresses from concentrated loads such as valves and in-line equipment.

Each side of valves or heavy equipment should have supports as close as possible.

Spacing indicated below may differ from that listed in ANSI/MSS SP-69 & SP-58. Additional hangers may be necessary to adequately support concentrated loads such as valves, flanges, or instruments.

Please note that these are just estimates and it is the responsibility of the installer to determine what is sufficient to support the line loads. These are only estimates based on industry information.

**Tube Hanger Spacing**

Tube Size	Maximum Spacing (ft)
1/2" - 3/4"	6
1" - 1-1/2"	8
2" - 3"	10
4" - 12"	12



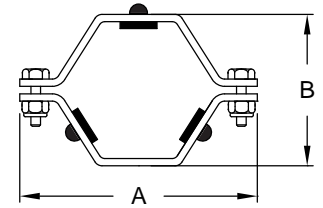
## Tube Hex Hangers

### Hex Hanger with Rubber Grommets - B24RG

**Specifications**

- All hex and round style hangers can be equipped with the following coupler options:
  - 3/8" NPT
  - all thread: 3/8"-16 or 1/2"-13
- Rubber grommets maximum temperature: **257°F (125°C)**

Tube O.D.	A (in)	B (in)	304 Stainless Steel Part #
1/2"	3.38	2.13	B24RG-G50
3/4"	3.38	2.13	B24RG-G75
1"	3.38	2.13	B24RG-G100
1-1/2"	3.75	2.13	B24RG-G150
2"	4.44	2.63	B24RG-G200
2-1/2"	4.94	3.13	B24RG-G250
3"	5.56	3.63	B24RG-G300
4"	6.63	4.50	B24RG-G400
5"	8.13	5.63	B24RG-G500
6"	9.19	6.63	B24RG-G600
8"	11.38	8.75	B24RG-G800
10"	14.50	10.50	B24RG-G1000
12"	16.63	12.63	B24RG-G1200



### Hex Hanger with FKM Grommets - B24RGSFY

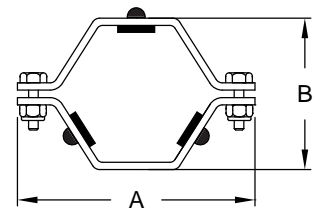
**Features**

- All hex and round style hangers can be equipped with the following coupler options:
  - 3/8" NPT
  - all thread: 3/8"-16 or 1/2"-13

**Specification**

- FKM grommets maximum temperature: **392°F (200°C)**

Tube O.D.	A (in)	B (in)	304 Stainless Steel Part #
1/2"	3.38	2.13	B24RGSFY-G50
3/4"	3.38	2.13	B24RGSFY-G75
1"	3.38	2.13	B24RGSFY-G100
1-1/2"	3.75	2.13	B24RGSFY-G150
2"	4.44	2.63	B24RGSFY-G200
2-1/2"	4.94	3.13	B24RGSFY-G250
3"	5.56	3.63	B24RGSFY-G300
4"	6.63	4.50	B24RGSFY-G400
6"	9.19	6.63	B24RGSFY-G600
8"	11.38	8.75	B24RGSFY-G800
10"	14.50	10.50	B24RGSFY-G1000
12"	16.63	12.63	B24RGSFY-G1200



### Tube Hex Hangers

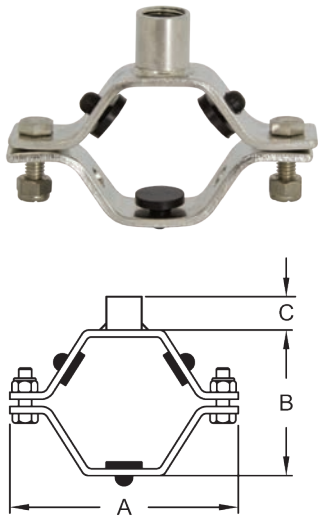
#### Hex Hanger with Rubber Grommets and All Thread Coupler - B24RGC16

**Features**

- Coupler is all thread 3/8"-16
- Optional: 1/2"-13 all thread

**Specification**

- Rubber grommets maximum temperature: 257°F (125°C)



**3/8" NPT**

Tube O.D.	A (in)	B (in)	C (in)	304 Stainless Steel Part #
1/2" - 3/4"	3.43	1.45	0.75	B24RGC-G75
1"	3.43	1.45	0.75	B24RGC-G100
1-1/2"	4.00	2.13	0.75	B24RGC-G150
2"	4.50	2.50	0.75	B24RGC-G200
2-1/2"	4.75	1.13	0.75	B24RGC-G250
3"	5.50	3.75	0.75	B24RGC-G300
4"	6.75	4.75	0.75	B24RGC-G400
6"	9.25	6.63	0.75	B24RGC-G600
8"	11.50	8.63	0.75	B24RGC-G800

**1/2"-13**

Tube O.D.	A (in)	B (in)	C (in)	304 Stainless Steel Part #
1/2" - 3/4"	3.43	1.45	0.75	B24RGC13-G75
1"	3.43	1.45	0.75	B24RGC13-G100
1-1/2"	4.00	2.13	0.75	B24RGC13-G150
2"	4.50	2.50	0.75	B24RGC13-G200
2-1/2"	4.75	1.13	0.75	B24RGC13-G250
3"	5.50	3.75	0.75	B24RGC13-G300
4"	6.75	4.75	0.75	B24RGC13-G400
6"	9.25	6.63	0.75	B24RGC13-G600
8"	11.50	8.63	0.75	B24RGC13-G800

## Tube Hex Hangers

### Nuts and Bolts - 13NHN

#### Features

- All sizes hex hangers with grommets and round hangers 1" to 4" use 13NHN-G100-600 fastener sets
- 1/2" and 3/4" round and sleeved hangers use 13NHN-G75 fastener sets
- (2) nuts and bolts supplied to a set

Size	Description	304 Stainless Steel Part #
1/2" - 3/4"	1/4"-20 x 3/4" bolt with nylock nut	13NHN-G75
1" - 12"	5/16"-18 x 1" bolt with nylock nut	13NHN-G100-600

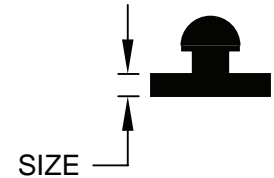


### Grommets - 13RG

#### Specifications

- Rubber grommets maximum temperature: 257°F (125°C)
- High-temperature rubber grommets maximum temperature: 392°F (200°C)

Size	Rubber Part #	High-Temp Rubber Part #
1/8" <sup>1</sup>	13RG18	13RGV18
1/4"	13RG14	13RGV14
1/2"	13RG12	13RGV12
3/8" <sup>2</sup>	13RG3/8	13RGV38
5/8"	13RG58	13RGV58



<sup>1</sup> For 1" hangers and larger

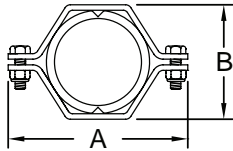
<sup>2</sup> For 1/2" and 3/4" hangers

**Tube Hex Hangers**

**Hex Hanger with Polypropylene Sleeve - B24PS**

**Specification**

- Polypropylene sleeve maximum temperature: 225°F (107°C)



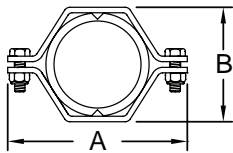
Tube O.D.	A (in)	B (in)	304 Stainless Steel Part #
1/2"	2.80	1.15	B24PS-G50
3/4"	2.80	1.15	B24PS-G75
1"	3.43	1.45	B24PS-G100
1-1/2"	4.00	2.13	B24PS-G150
2"	4.50	2.50	B24PS-G200
2-1/2"	4.95	3.13	B24PS-G250
3"	5.50	3.75	B24PS-G300
4"	6.95	4.75	B24PS-G400
5"	8.06	5.63	B24PS-G500
6"	9.25	6.63	B24PS-G600
8"	11.50	8.63	B24PS-G800
10"	14.50	10.50	B24PS-G1000
12"	16.63	13.00	B24PS-G1200

NOTE: Metal detectable options available upon request.

**Hex Hanger with High Temperature Polysulfone Sleeve - B24HS**

**Specification**

- High temperature sleeve maximum temperature: 325°F (163°C)



Tube O.D.	A (in)	B (in)	304 Stainless Steel Part #
1/2"	2.38	1.06	B24HS-G50
3/4"	2.63	1.19	B24HS-G75
1"	2.69	1.56	B24HS-G100
1-1/2"	3.63	2.13	B24HS-G150
2"	4.63	2.63	B24HS-G200
2-1/2"	4.81	3.13	B24HS-G250
3"	5.38	3.63	B24HS-G300
4"	6.63	4.63	B24HS-G400
6"	9.00	6.63	B24HS-G600

NOTE: Sleeve must be removed before welding.

## Tube Hex Hangers

### Sleeves - 13PS

**Specifications**

- Polypropylene sleeve maximum temperature: 225°F (107°C)
- High-temperature sleeve maximum temperature: 325°F (163°C)

Size	Polypropylene Part #	High-Temperature Part #
1/2"	13PS-50	13HS-50
3/4"	13PS-75	13HS-75
1"	13PS-100	13HS-100
1-1/2"	13PS-150	13HS-150
2"	13PS-200	13HS-200
2-1/2"	13PS-250	13HS-250
3"	13PS-300	13HS-300
4"	13PS-400	13HS-400
5"	13PS-500	---
6"	13PS-600	13HS-600
8"	13PS-800	---

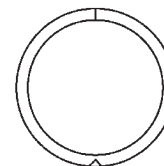
NOTE: Metal detectable options available upon request.



Polypropylene



High Temperature



### Round Hanger with Nitrile Inserts - B24RPH

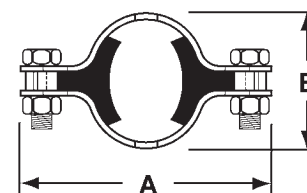
**Features**

- All hex and round style hangers can be equipped with the following coupler options: 3/8" NPT or all thread; 3/8"-16 or 1/2"-13 available upon request

**Specification**

- Nitrile inserts maximum temperature: 230°F (110°C)

Tube O.D.	A (in)	B (in)	304 Stainless Steel Part #
1/2"	2.75	1.13	B24RPH-G50
3/4"	2.75	1.13	B24RPH-G75
1"	3.31	1.50	B24RPH-G100
1-1/2"	3.81	2.00	B24RPH-G150
2"	4.25	2.56	B24RPH-G200
2-1/2"	5.00	3.00	B24RPH-G250
3"	5.50	3.56	B24RPH-G300
4"	6.50	4.69	B24RPH-G400



## Tube Block Hangers

### Applications

- Clean rooms and mechanical areas; not limited to: biotech, pharmaceutical, and food processing
- Low flow and low pressure systems with moderate vibration: WFI, SIP, CIP, process, utility, and instrument lines

### Sizes

- Support range: 1/2" - 4"; optional 6" - contact Dixon Sanitary at 800.789.1718

### Features

- Insulation envelope: reduced O.D. allows hanger to be buried under the insulation jacket.
- ZERO PUDDLE silicone inserts raised geometry facilitates drainage of liquids on vertical/riser lines
- There are no exposed threads or openings in hardware plates

### Materials

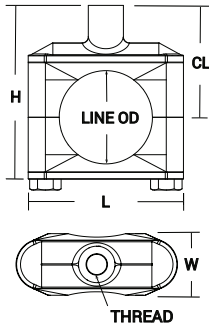
- ZERO PUDDLE silicone rubber insert are available with FDA and UL ratings
- Hardware: 304 standard option and 316 stainless steel available upon request

### Specifications

- Intermittent temperatures from **-40°F to 320°F (-40°C to 160°C)**
- Continuous temperatures from **-20° to 285°F (-29°C to 140°C)**

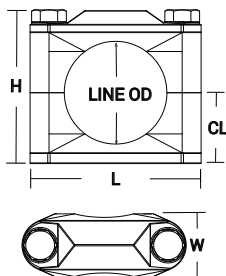
### Approvals

- All plates polished; bolts are cleaned and nuts are lubricated with FDA approved product
- Hanger threads match MSS SP-69 rod O.D. requirements



Hang Plate Block Hangers - B24-HP

Tube O.D.	Line O.D.(in)	H (in)	L (in)	W (in)	CL (in)	Thread	304 Stainless Steel Part #
1/2"	.50	2.29	1.93	.75	.63	3/8"-16	B24-HP-G050
3/4"	.75	2.29	1.93	.75	.63	3/8"-16	B24-HP-G075
1"	1.00	2.29	1.96	.75	.63	3/8"-16	B24-HP-G100
1-1/2"	1.50	2.79	2.49	.75	.97	3/8"-16	B24-HP-G150
2"	2.00	3.29	2.99	.88	1.25	1/2"-13	B24-HP-G200
2-1/2"	2.50	4.43	3.36	.88	1.47	1/2"-13	B24-HP-G250
3"	3.00	5.18	3.99	.88	1.81	1/2"-13	B24-HP-G300
4"	4.00	6.24	5.10	1.00	2.28	5/8"-11	B24-HP-G400



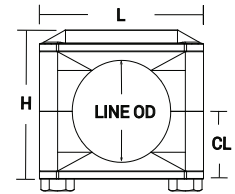
Weld Plate Block Hangers - B24-WP

Tube O.D.	Line O.D. (in)	H (in)	L (in)	W (in)	CL (in)	304 Stainless Steel Part #
1/2"	.50	1.73	1.93	.75	.79	B24-WP-G050
3/4"	.75	1.73	1.93	.75	.79	B24-WP-G075
1"	1.00	1.73	1.96	.75	.79	B24-WP-G100
1-1/2"	1.50	2.23	2.49	.75	1.03	B24-WP-G150
2"	2.00	2.75	2.99	.88	1.31	B24-WP-G200
2-1/2"	2.50	3.25	3.36	.88	1.55	B24-WP-G250
3"	3.00	3.97	3.99	.88	1.94	B24-WP-G300
4"	4.00	4.87	5.10	1.00	2.39	B24-WP-G400

## Tube Uni-Hinge Block Hangers

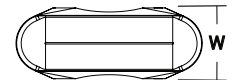
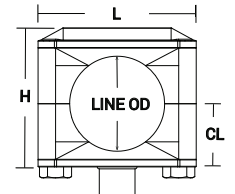
### Base Mount Block Hangers - B24-BM

Tube O.D.	Line O.D. (in)	H (in)	L (in)	W (in)	CL (in)	304 Stainless Steel Part #
1/2"	.50	1.70	1.93	.75	.73	B24-BM-G050
3/4"	.75	1.70	1.93	.75	.73	B24-BM-G075
1"	1.00	1.70	1.93	.75	.73	B24-BM-G100
1-1/2"	1.50	2.19	2.49	.75	.97	B24-BM-G150
2"	2.00	2.69	2.99	.88	1.25	B24-BM-G200
2-1/2"	2.50	3.19	3.36	.88	1.49	B24-BM-G250
3"	3.00	3.97	3.99	.88	1.85	B24-BM-G300



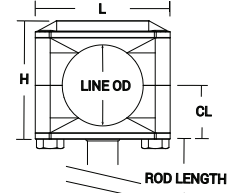
### Base Mount Block Hanger Threaded Couplings - B24-BMTC

Tube Size	Line O.D. (in)	H (in)	L (in)	W (in)	CL (in)	Round Coupling		304 Stainless Steel Part #
						Height (in)	Thread	
1/2"	.50	1.70	1.93	.75	.73	.47	3/8"-16	B24-BMTC-G050
3/4"	.75	1.70	1.93	.75	.73	.47	3/8"-16	B24-BMTC-G075
1"	1.00	1.70	1.93	.75	.73	.47	3/8"-16	B24-BMTC-G100
1-1/2"	1.50	2.19	2.49	.75	.97	.47	3/8"-16	B24-BMTC-G150
2"	2.00	2.69	2.99	.88	1.25	.47	3/8"-16	B24-BMTC-G200
2-1/2"	2.50	3.19	3.36	.88	1.49	.59	1/2"-13	B24-BMTC-G250
3"	3.00	3.97	3.99	.88	1.85	.59	1/2"-13	B24-BMTC-G300

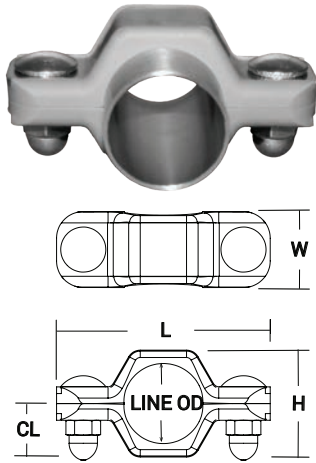


### Base Mount Block Hanger Rod Mounts - B24-BMR6

Tube Size	Line O.D. (in)	H (in)	L (in)	W (in)	CL (in)	Rod (stock length)		304 Stainless Steel Part #
						Length (in)	O.D.(in)	
1/2"	.50	1.70	1.93	.75	.73	6.00	.38	B24-BMR6-G050
3/4"	.75	1.70	1.93	.75	.73	6.00	.38	B24-BMR6-G075
1"	1.00	1.70	1.93	.75	.73	6.00	.38	B24-BMR6-G100
1-1/2"	1.50	2.19	2.49	.75	.97	6.00	.38	B24-BMR6-G150
2"	2.00	2.69	2.99	.88	1.25	6.00	.38	B24-BMR6-G200
2-1/2"	2.50	3.19	3.36	.88	1.49	6.00	.50	B24-BMR6-G250
3"	3.00	3.97	3.99	.88	1.85	6.00	.50	B24-BMR6-G300

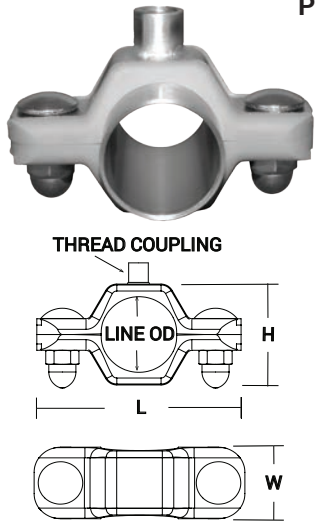


Tube Process Hex Hangers



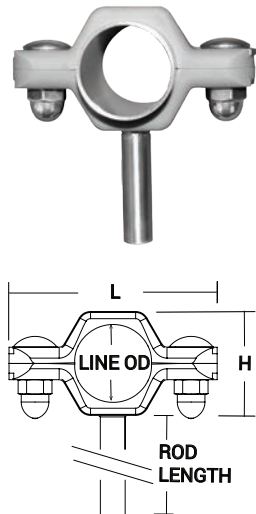
Process Hex Hanger Weld Mount - B24V-PH

Tube O.D.	Line O.D. (in)	H (in)	L (in)	W (in)	CL (in)	304 Stainless Steel With Acorn Nut Part #	304 Stainless Steel With Lock Nut Part #
1/2"	0.50	1.15	2.80	1.10	0.58	B24-PH-G050	B24-PHL-G050
3/4"	0.75	1.15	2.80	1.10	0.58	B24-PH-G075	B24-PHL-G075
1"	1.00	1.45	3.00	1.10	0.73	B24-PH-G100	B24-PHL-G100
1-1/2"	1.50	1.93	4.00	1.42	0.98	B24-PH-G150	B24-PHL-G150
2"	2.00	2.50	4.60	1.42	1.25	B24-PH-G200	B24-PHL-G200
2-1/2"	2.50	4.00	5.10	1.42	4.00	B24-PH-G250	B24-PHL-G250
3"	3.00	3.50	5.60	1.42	1.75	B24-PH-G300	B24-PHL-G300
4"	4.00	4.55	6.75	1.42	2.28	B24-PH-G400	B24-PHL-G400



Process Hex Hanger Weld Mount Threaded Coupling - B24V-PHC

Tube O.D.	Line O.D. (in)	H (in)	L (in)	W (in)	Rod (stock length)		304 Stainless Steel With Acorn Nut Part #	304 Stainless Steel With Lock Nut Part #
					Height (in)	Thread		
1/2"	0.50	1.15	2.80	1.10	0.47	3/8"-16	B24-PHC-G050	B24-PHCL-G050
3/4"	0.75	1.15	2.80	1.10	0.47	3/8"-16	B24-PHC-G075	B24-PHCL-G075
1"	1.00	1.45	3.00	1.10	0.47	3/8"-16	B24-PHC-G100	B24-PHCL-G100
1-1/2"	1.50	1.93	4.00	1.42	0.47	3/8"-16	B24-PHC-G150	B24-PHCL-G150
2"	2.00	2.50	4.60	1.42	0.59	1/2"-13	B24-PHC-G200	B24-PHCL-G200
2-1/2"	2.50	4.00	5.10	1.42	0.59	1/2"-13	B24-PHC-G250	B24-PHCL-G250
3"	3.00	3.50	5.60	1.42	0.59	1/2"-13	B24-PHC-G300	B24-PHCL-G300
4"	4.00	4.55	6.75	1.42	0.59	1/2"-13	B24-PHC-G400	B24-PHCL-G400



Process Hex Hanger Weld Mount Rod Attached - B24V-PHR6

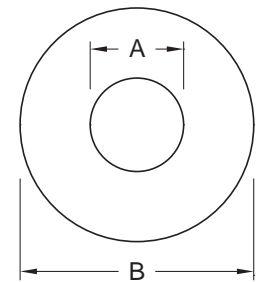
Tube O.D.	Line O.D. (in)	H (in)	L (in)	W (in)	Rod (stock length)		304 Stainless Steel With Acorn Nut Part #	304 Stainless Steel With Lock Nut Part #
					Length (in)	O.D. (in)		
1/2"	0.50	1.15	2.80	1.10	6	0.38	B24-PHR6-G050	B24-PHR6L-G050
3/4"	0.75	1.15	2.80	1.10	6	0.38	B24-PHR6-G075	B24-PHR6L-G075
1"	1.00	1.45	3.00	1.10	6	0.38	B24-PHR6-G100	B24-PHR6L-G100
1-1/2"	1.50	1.93	4.00	1.42	6	0.38	B24-PHR6-G150	B24-PHR6L-G150
2"	2.00	2.50	4.60	1.42	6	0.50	B24-PHR6-G200	B24-PHR6L-G200
2-1/2"	2.50	4.00	5.10	1.42	6	0.50	B24-PHR6-G250	B24-PHR6L-G250
3"	3.00	3.50	5.60	1.42	6	0.50	B24-PHR6-G300	B24-PHR6L-G300
4"	4.00	4.55	6.75	1.42	6	0.63	B24-PHR6-G400	B24-PHR6L-G400



## Wall Flanges

### Flanges - B25

Tube O.D.	A (in)	B (in)	Nominal Wall Thickness (in)	304 Stainless Steel Part #
1/2"	.50	3.00	.065	B25-G050300
	.50	5.00		B25-G050500
3/4"	.75	3.00		B25-G075300
	.75	5.00		B25-G075500
1"	1.00	3.00		B25-G100300
	1.00	5.00		B25-G100500
1-1/2"	1.50	5.00		B25-G150500
2"	2.00	5.00		B25-G200500
2-1/2"	2.50	5.00		B25-G250500
3"	3.00	6.00		B25-G300600
4"	4.00	7.00		B25-G400700
5"	5.00	8.00		B25-G500800
6"	6.00	10.00		B25-G6001000
8"	8.00	12.00		B25-G8001200
10"	10.00	14.00		B25-G10001400
12"	12.00	16.00		B25-G12001600



**Instrumentation Table of Contents**



**Sanitary Pressure Gauges**  
pg. 130



**Pharmaceutical Pressure Gauges**  
pg. 132



**Homogenizer Pressure Gauges**  
pg. 133



**Sanitary Digital Thermometers**  
pg. 134

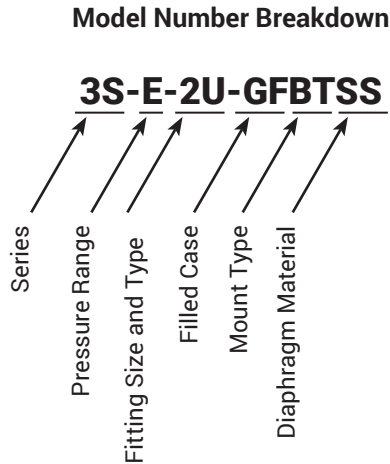


**Sanitary RTDs and Temperature Transmitters**  
pg. 135

NOTE: The following part numbers need to be added at time of order if any of the below items are needed. Additional charges will incur. These apply to any gauge and sanitary digital thermometers.

- DS-GAUGE-GCC – General calibration certificate
- DS-GAUGE-DCC – Detailed calibration certificate
- DS-GAUGE-MTR – Material test report
- DS-GAUGE-COC – Certificate of conformity

## Dixon Sanitary Gauges



### Sizes

- 1-1/2", 2", 2-1/2" or 3"

### Features

- Finishes: 3A sanitary
- Finishes: pharmaceutical

### Material

- 316L stainless steel

## Ordering Information

### Series

- 3S**..... 3-1/2" Sanitary pressure gauge
- 5S**..... 5" Sanitary pressure gauge
- 3P**..... 3-1/2" Pharmaceutical pressure gauge
- 5P**..... 5" Pharmaceutical pressure gauge

### Pressure Range<sup>1</sup>

- B**..... 0 to 30 PSI (2 BAR)
- C**..... 0 to 60 PSI (4 BAR)
- D**..... 0 to 100 PSI (7 BAR)
- E**..... 0 to 160 PSI (11 BAR)
- F**..... 0 to 200 PSI (14 BAR)
- G**..... 0 to 300 PSI (21 BAR)
- H**..... 0 to 400 PSI (28 BAR)
- I**..... 0 to 600 PSI (41 BAR)
- K**..... 0 to 1,000 PSI (70 BAR)

<sup>1</sup> Standard scales are in PSI only. For dual scales, add the letter B for PSI/BAR after the pressure range letter.

### Fitting Type<sup>2</sup>

Specify size in inches: 15, 2, 25, or 3

- I**..... male I-Line
- J**..... female I-Line
- R**..... RJT
- S**..... #15 Bevel Seat sanitary male thread
- T**..... #13H captive nut and #14 Bevel Seat
- U**..... clamp
- DIN**..... DIN according to DIN 11851 (specify DIN40 or DIN50)
- SMS**..... SMS (specify SMS38 or SMS51)

<sup>2</sup> Specify size then type, i.e. 1-1/2" - 15

### Filled Case

- GF**..... glycerine filled
- NF**..... no fill (dry)

### Mount type

- BT**..... bottom
- RT**..... right side
- LF**..... left side
- TP**..... top
- BK**..... back

### Diaphragm Material

- SS**..... stainless steel



## Sanitary Pressure Gauges



3S-EB-2U-GFBTSS

### Sizes

- Dial size: 3-1/2" or 5" diameter

### Features

- Accuracy:  $\pm 1.5\%$  of full scale
- Over range capacity: 30%
- Product contact: 316L stainless steel
- Surface finishes (product contact):  
Ra maximum = 25 microinches
- Standard fill: food grade glycerin
- Rezero feature: standard on pointer
- Shipping weight: approximately 3 lbs. (1.3 kg)

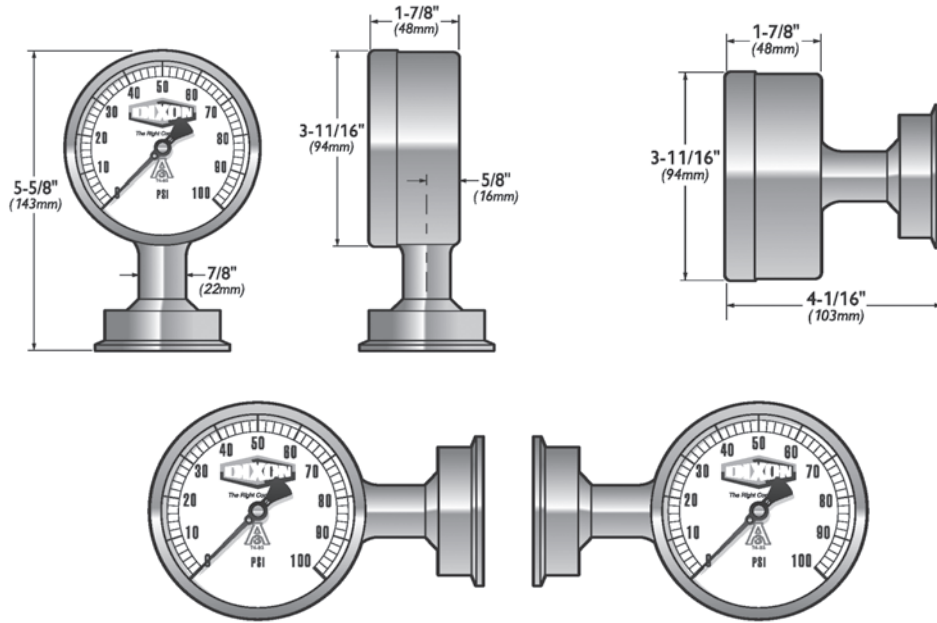
### Materials

- Case: 304 stainless steel
- Lens: polycarbonate

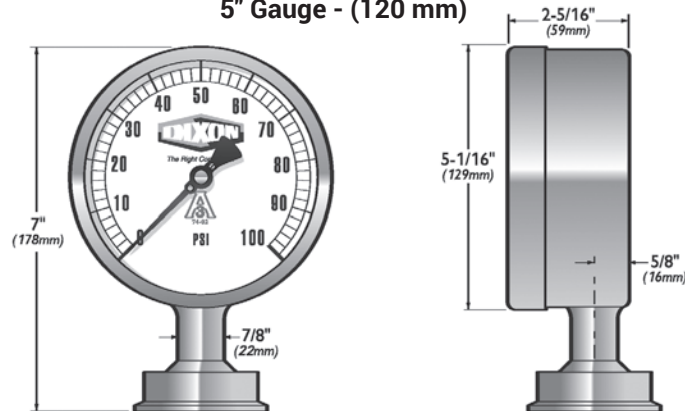
### Specification

- Temperature limits: 0°F to 250°F (-18°C to 121°C)

### 3-1/2" Gauge - (90 mm)



### 5" Gauge - (120 mm)



Shown with 2" clamp

Product not returnable and no cancellations.

### Sanitary Pressure Gauges



Part #	Dial Size	Pressure Range (PSI)	Clamp Size	Mount	
3S-B-15U-GFBTSS	3-1/2"	0-30	1-1/2"	bottom	
3S-C-15U-GFBTSS		0-60			
3S-D-15U-GFBTSS		0-100			
3S-E-15U-GFBTSS		0-160			
3S-F-15U-GFBTSS		0-200			
3S-G-15U-GFBTSS		0-300			
3S-B-15U-GFBKSS		0-30			back
3S-C-15U-GFBKSS		0-60			
3S-D-15U-GFBKSS		0-100			
3S-E-15U-GFBKSS		0-160			
3S-F-15U-GFBKSS		0-200			
3S-G-15U-GFBKSS		0-300			
3S-B-2U-GFBTSS		3-1/2"	0-30	2"	
3S-C-2U-GFBTSS			0-60		
3S-D-2U-GFBTSS	0-100				
3S-E-2U-GFBTSS	0-160				
3S-F-2U-GFBTSS	0-200				
3S-G-2U-GFBTSS	0-300				
3S-B-2U-GFBKSS	0-30		back		
3S-C-2U-GFBKSS	0-60				
3S-D-2U-GFBKSS	0-100				
3S-E-2U-GFBKSS	0-160				
3S-F-2U-GFBKSS	0-200				
3S-G-2U-GFBKSS	0-300				

Product not returnable and no cancellations.



## Pharmaceutical Pressure Gauges



3P-D-15U-GFBT

### Size

- Dial size: 3-1/2" or 5" diameter

### Features

- Accuracy:  $\pm 0.75\%$  of full scale
- Over range capacity: 30%
- Product contact: 316L stainless steel
- Surface finishes (product contact): Ra maximum = 8 microinches
- Standard fill: food grade glycerin
- Rezero feature: standard on pointer
- Shipping weight: approximately 3 lbs. (1.3 kg)

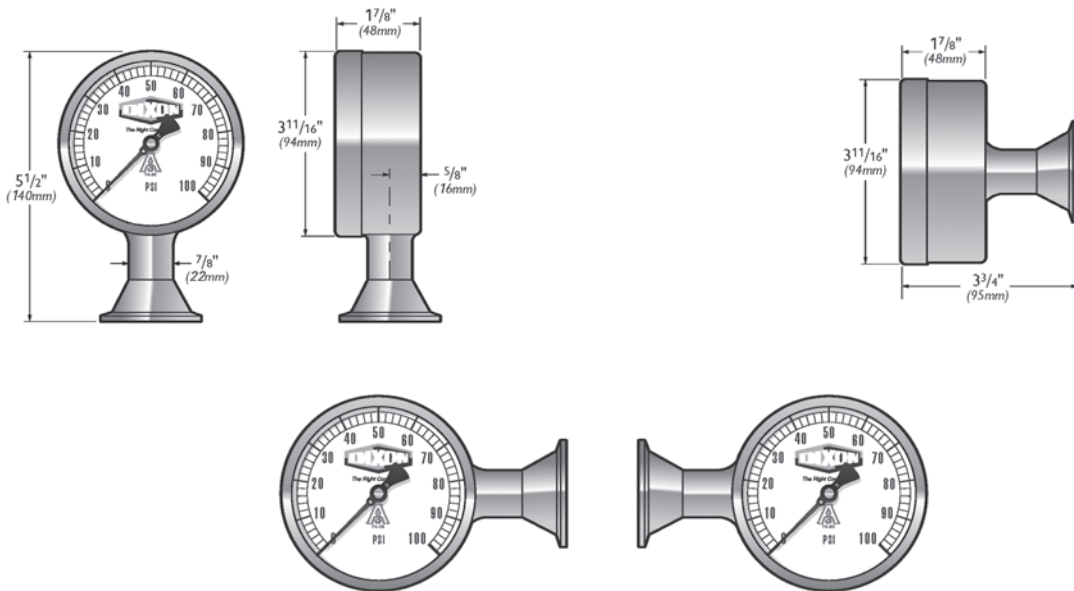
### Materials

- Lens: polycarbonate
- Case: 304 stainless steel

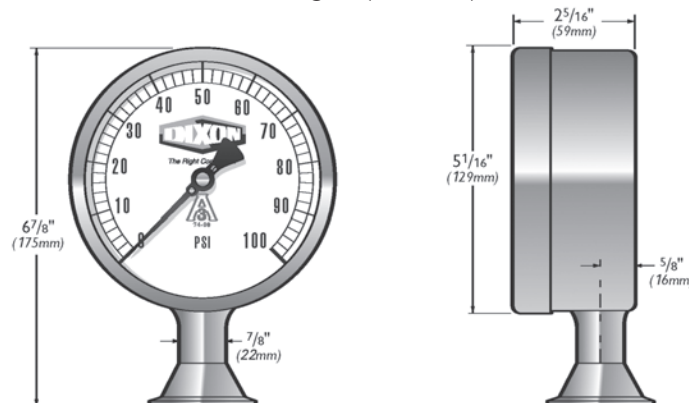
### Specification

- Temperature limits: 0°F to 250°F (-18°C to 121°C)

### 3-1/2" Gauge - (90 mm)



### 5" Gauge - (120 mm)



Product not returnable and no cancellations.

## Homogenizer Pressure Gauges

### Size

- Dial size: 5"

### Features

- Lexan® lens virtually impervious to cracks and breakage
- Unique pulsation dampening system insulates the gauge movement from the punishing pulsations of a homogenizer
- Glycerine fill standard
- Waterproof construction
- CIP certified
- True zero with re-zero standard

### Materials

- Product contact: 316L stainless steel
- Case: 304 stainless steel
- Lens: Lexan®

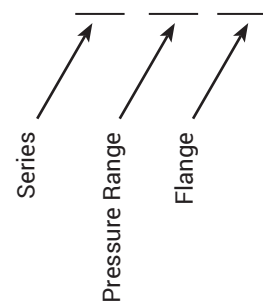
### Specifications

- Ranges up to **15,000 PSI**
- Maximum temperature: **250°F (121°C)**



### Model Number Breakdown

**5H - V - 03**



### Ordering Information

#### Series

**5H** ..... 5" Sani-Flow homogenizer pressure gauge

#### Pressure Range<sup>1</sup>

- K** ..... 0 to 1,000 PSI (70 BAR)
- T** ..... 0 to 2,500 PSI (170 BAR)
- U** ..... 0 to 3,000 PSI (205 BAR)
- V** ..... 0 to 5,000 PSI (350 BAR)
- Y** ..... 0 to 7,500 PSI (520 BAR)
- W** ..... 0 to 10,000 PSI (700 BAR)
- X** ..... 0 to 15,000 PSI (1000 BAR)

<sup>1</sup> Standard scales are in PSI only. For dual scales, after the pressure range add the letter B for PSI/BAR, K for PSI/Kg/cm<sup>3</sup>, P for PSI/KPa (see examples below).

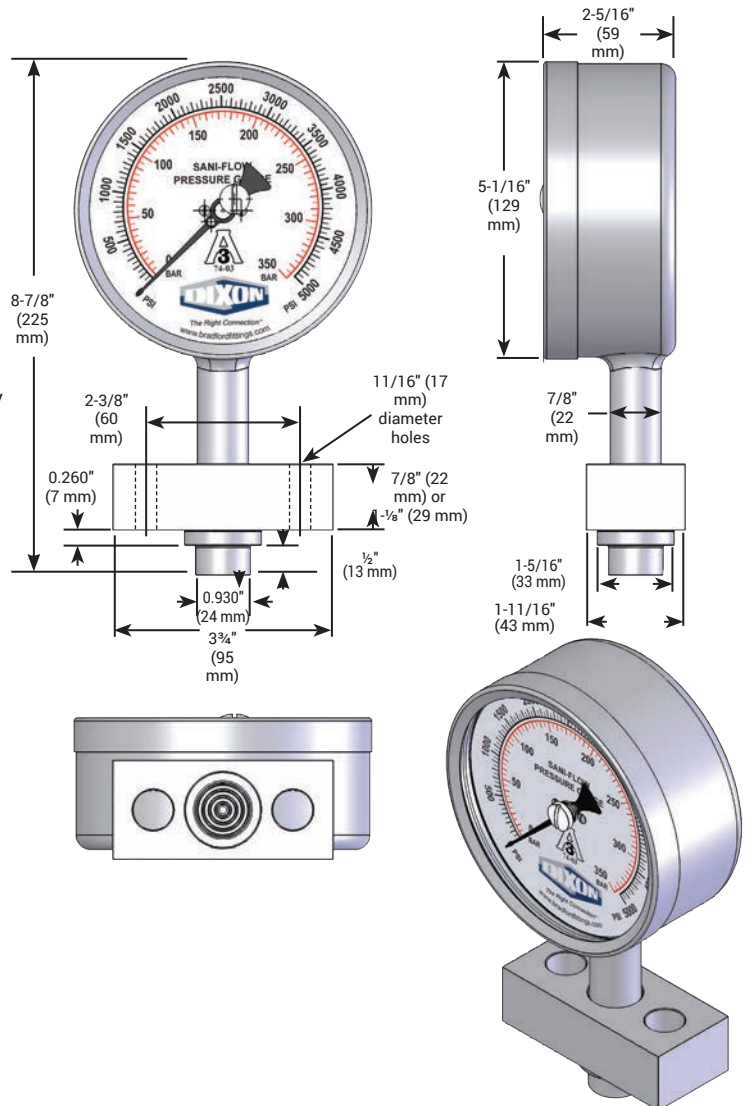
#### Examples

**5H-V-03** - Describes a 5" Sani-Flow homogenizer pressure gauge, **0 to 5,000 PSI**, a 1-1/8" thick flange, and a glycerine filled case

**5H-WB-01** - Describes a 5" Sani-Flow homogenizer pressure gauge, dual scale **0 to 10,000 PSI/0 to 700 BAR**, no flange, and a glycerine filled case

#### Flange

- 01** ..... no flange
- 02** ..... 7/8" thick 2 bolt flange
- 03** ..... 1-1/8" thick 2 bolt flange
- 04** ..... 1/2" thick 4 bolt flange
- 05** ..... 3/4" thick 4 bolt flange
- 09** ..... 1.66" thick laboratory homogenizer flange

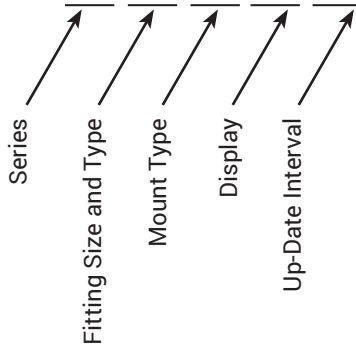


Product not returnable and no cancellations.



## Sanitary Digital Thermometers

### Model Number Breakdown DT-2U-BT-DF-10



#### Sizes

- Dial size: 3-1/2" diameter
- LCD display: 0.6"

#### Features

- Accuracy:  $\pm 1^\circ$
- Surface finish: Ra maximum is 8 microinches
- Battery size / life: standard AAA/3 years
- Shipping weight: approximately 3 lbs.

#### Materials

- Product contact: 316L stainless steel
- Case: 304 stainless steel
- Lens: 1/4" polycarbonate

#### Specifications

- Temperature limits:  $-58^\circ\text{F}$  to  $302^\circ\text{F}$  ( $-50^\circ\text{C}$  to  $150^\circ\text{C}$ )
- Ambient operating limits:  $-4^\circ\text{F}$  to  $140^\circ\text{F}$  ( $-20^\circ\text{C}$  to  $60^\circ\text{C}$ )
- Resolution:  $0.1^\circ$  ( $-58^\circ$  thru  $199.9^\circ$ )

### Ordering Information

#### Series

DT ..... Sanitary digital thermometer

#### Fitting Type<sup>1</sup>

Sizes available: 75, 15, 2, 25, 3, and 4

- I ..... male I-Line
- T ..... #13H captive nut and #14 bevel seat
- U ..... clamp

<sup>1</sup> Specify size then type, i.e. 1-1/2" = 15U

#### Mount type

- BT ..... bottom
- RT ..... right side
- LF ..... left side
- TP ..... top
- BK ..... back
- BTR ..... remote fitting

#### Display

- DF ..... F (Fahrenheit) *standard*
- DC ..... C (Celsius)

#### Up-Date Interval

- 1 ..... one second (1 year battery life)
- 10 ..... ten second (3 year battery life)



### Dimensions

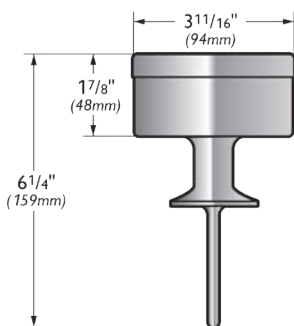
#### LEFT SIDE MOUNT



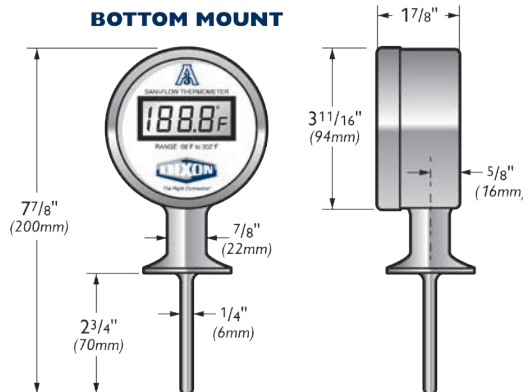
#### RIGHT SIDE MOUNT



#### BACK MOUNT



#### BOTTOM MOUNT



Ordering code shown with clamp configuration "U". See ordering information for other types available.

Size	Probe Length <sup>1</sup>	Code
3/4"	2-3/8"	75U
1"	2-5/5"	1U
1-1/2"	2-3/4"	15U
2"	3-1/2"	2U
2-1/2"	3-1/2"	25U
3"	3-3/4"	3U
4"	4-1/2"	4U

<sup>1</sup> Custom probe lengths are available

Product not returnable and no cancellations.



## Sanitary RTDs and Temperature Transmitters

### Materials

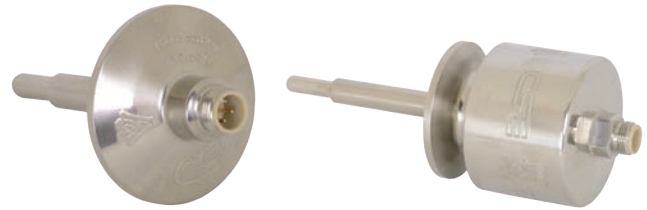
- Product contact: 316L stainless
- Exterior surfaces 316L with a near mirror finish

### Features

- Standard 12mm industrial connector with gold-plated contacts for maximum corrosion resistance and cleanability
- Sensor elements are accurate up to +/-0.1C

### Specifications

- RTD – temperature range: -58°F to 392°F (-50°C to 200°C)
- TT – temperature range: -22°F to 302°F (-30°C to 150°C)



Sanitary RTD

Temperature transmitter

### Ordering Information

#### Series

- RTD..... Sani-Flow resistive temperature device
- TT..... Sani-Flow temperature transmitter

#### Sanitary Fittings

Fittings available in 5, 75, 15, 20, 25, 30, and 40

- H..... G & H 'H' line male
- I..... Male I-line
- K..... APC 'K' clamp
- Q..... Q-line
- T..... #13H captive nut and #14 bevel seat
- U..... Tri-clamp®

- Specify size, then adapter type such as 15U for 1-1/2" Tri-clamp® adapter
- For special probes, add SP and the required probe length at the end of the part number, such as SP2.75 for a 2-3/4" long probe

#### Other Fittings

Specify probe length

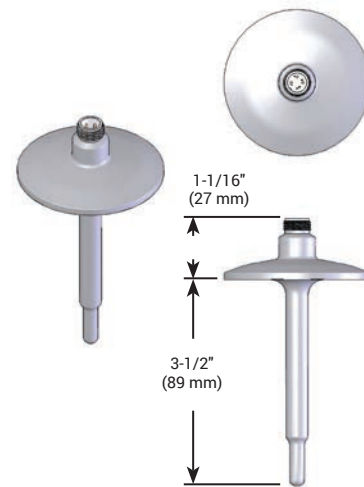
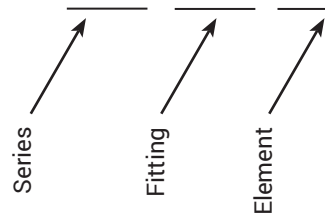
- A..... air space
- M..... umbrella fittings
- NPT..... 1/4", 3/8", 1/2", 5/8", or 3/4" pipe thread
- PW..... projectile well with 1-1/4"-18 UNEF male thread
- SP..... split ferrule
- VP..... VAT well fitting with #13H captive nut
- OF..... no fitting

#### Element<sup>1</sup>

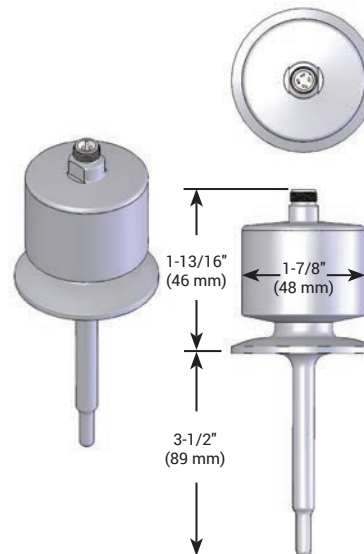
- E1..... single element
- E2..... dual element

<sup>1</sup> Available for RTD only

### Model Number Breakdown RTD - 15U - E1



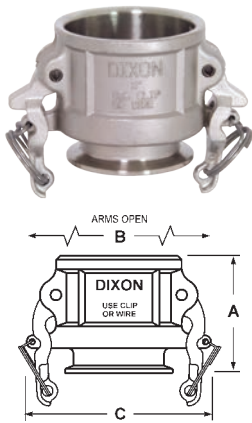
RTD-20GI-38



TT-20-G1

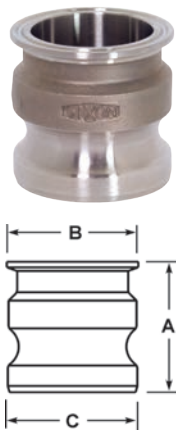
Product not returnable and no cancellations.

Sanitary Tube O.D. x Cam and Groove Adapters



Boss-Lock Coupler x Clamp End - RC

Tube O.D.	A (in)	B (in)	C (in)	316 Stainless Steel Part #
1-1/2"	2.69	7.88	3.94	RC150SE
2"	2.81	8.25	4.31	RC200SE
3"	3.00	10.00	5.63	RC300SE



Adapter x Clamp End - RE

Tube O.D.	A (in)	B (in)	C (in)	316 Stainless Steel Part #
1-1/2"	2.28	2.00	2.09	RE150SE
2"	2.59	2.50	2.47	RE200SE
3"	2.75	3.56	3.59	RE300SE

Dixon® Weld to Tube Cam and Groove

Feature

- Designed to be welded to standard sanitary tubing

Material

- 316 stainless steel investment casting

Boss-Lock Coupler x Weld to Tube End



Size	316 Stainless Steel Part #
1"	RC100BT
1-1/2"	RC150BT
2"	RC200BT
3"	RC300BT

Adapter x Weld to Tube End



Size	316 Stainless Steel Part #
1"	RE100BT
1-1/2"	RE150BT
2"	RE200BT
3"	RE300BT

## Dixon Sanitary King Crimp® Stem Clamp End x Hose Shank

**Features**

- To be used with King Crimp™ sleeves and / or ferrules see pages 138-141
- Product contact surfaces' I.D. polish is 32 Ra maximum

### Tri-Clover Stems

Size	316 Stainless Steel Part #
1"	CSSR100CS
1-1/2"	CSSR150CS
2"	CSSR200CS
3"	CSSR300CS
4"	CSSR400CS



### Female I-line

Size	316 Stainless Steel Part #
1"	CILR100CS
1-1/2"	CILR150CS
2"	CILR200CS
3"	CILR300CS
4"	CILR400CS





### King Crimp Style Sleeves

- Only use the crimp style shanks with the crimp style sleeves and ferrules. Due to differences in dimensions and tolerances for safety reasons, do not interchange other manufacturers' products with Dixon® products.
- For liquid service only
- Not intended for steam service



Hose I.D.	Hose O.D.		Work. Pressure (PSI)		Sleeve I.D.	Sleeve Wall Thick.	Sleeve Overall Length	Carbon Steel Part #	304 Stainless Steel Part #	Aluminum Part #
	From	To	cam & groove <sup>1</sup>	King Crimp nipple <sup>2</sup>						
1"	1-13/64"	1-16/64"	*	*	1.313"	.060"	2-1/2"	CS100-1CS	CS100-1SS	---
	1-17/64"	1-20/64"	*	*	1.375"	.060"	2-1/2"	CS100-2CS	CS100-2SS	CS100-2AL
	1-21/64"	1-24/64"	*	*	1.438"	.060"	2-1/2"	CS100-3CS	CS100-3SS	---
	1-25/64"	1-28/64"	*	*	1.500"	.060"	2-1/2"	CS100-4CS	CS100-4SS	CS100-4AL
	1-29/64"	1-32/64"	*	*	1.563"	.060"	2-1/2"	CS100-5CS	CS100-5SS	---
	1-33/64"	1-36/64"	*	*	1.625"	.060"	2-1/2"	CS100-6CS	CS100-6SS	CS100-6AL
	1-37/64"	1-40/64"	*	*	1.688"	.060"	2-1/2"	CS100-7CS	CS100-7SS	---
	1-41/64"	1-44/64"	*	*	1.750"	.060"	2-1/2"	CS100-8CS	CS100-8SS	---
	1-45/64"	1-48/64"	*	*	1.813"	.060"	2-1/2"	CS100-9CS	CS100-9SS	---
	1-49/64"	1-52/64"	*	*	1.875"	.060"	2-1/2"	CS100-10CS	CS100-10SS	---
1-1/4"	1-41/64"	1-44/64"	<b>250</b>	<b>300</b>	1.750"	.060"	2-1/2"	CS125-3CS	CS125-3SS	---
	1-45/64"	1-48/64"	<b>250</b>	<b>300</b>	1.813"	.060"	2-1/2"	CS125-4CS	CS125-4SS	---
	1-49/64"	1-52/64"	<b>250</b>	<b>300</b>	1.875"	.060"	2-1/2"	CS125-5CS	CS125-5SS	---
	1-53/64"	1-56/64"	<b>250</b>	<b>300</b>	1.938"	.060"	2-1/2"	CS125-6CS	CS125-6SS	---
1-1/2"	1-41/64"	1-44/64"	<b>250</b>	<b>300</b>	1.750"	.060"	2-1/2"	CS150-1CS	CS150-1SS	---
	1-45/64"	1-48/64"	<b>250</b>	<b>300</b>	1.813"	.060"	2-1/2"	CS150-2CS	CS150-2SS	---
	1-49/64"	1-52/64"	<b>250</b>	<b>300</b>	1.875"	.060"	2-1/2"	CS150-3CS	CS150-3SS	CS150-3AL
	1-53/64"	1-56/64"	<b>250</b>	<b>300</b>	1.938"	.060"	2-1/2"	CS150-4CS	CS150-4SS	---
	1-57/64"	1-60/64"	<b>250</b>	<b>300</b>	2.000"	.060"	2-1/2"	CS150-5CS	CS150-5SS	---
	1-61/64"	2"	<b>250</b>	<b>300</b>	2.063"	.060"	2-1/2"	CS150-6CS	CS150-6SS	---
	2-1/64"	2-4/64"	<b>250</b>	<b>300</b>	2.125"	.060"	2-1/2"	CS150-7CS	CS150-7SS	CS150-7AL
	2-5/64"	2-8/64"	<b>250</b>	<b>300</b>	2.188"	.060"	2-1/2"	CS150-8CS	CS150-8SS	---
	2-9/64"	2-12/64"	<b>250</b>	<b>300</b>	2.250"	.060"	2-1/2"	CS150-9CS	CS150-9SS	---
	2-13/64"	2-16/64"	<b>250</b>	<b>300</b>	2.313"	.060"	2-1/2"	CS150-10CS	CS150-10SS	---
	2-17/64"	2-20/64"	<b>250</b>	<b>300</b>	2.375"	.060"	2-1/2"	CS150-11CS	CS150-11SS	---
	2-21/64"	2-24/64"	<b>250</b>	<b>300</b>	2.438"	.060"	2-1/2"	CS150-12CS	CS150-12SS	---
2"	2-13/64"	2-16/64"	<b>250</b>	<b>250</b>	2.313"	.060"	2-7/8"	CS200-1CS	CS200-1SS	---
	2-17/64"	2-20/64"	<b>250</b>	<b>250</b>	2.375"	.060"	2-7/8"	CS200-2CS	CS200-2SS	---
	2-21/64"	2-24/64"	<b>250</b>	<b>250</b>	2.438"	.060"	2-7/8"	CS200-3CS	CS200-3SS	---
	2-25/64"	2-28/64"	<b>250</b>	<b>250</b>	2.500"	.060"	2-7/8"	CS200-4CS	CS200-4SS	CS200-4AL
	2-29/64"	2-32/64"	<b>250</b>	<b>250</b>	2.563"	.060"	2-7/8"	CS200-5CS	CS200-5SS	CS200-5AL
	2-33/64"	2-36/64"	<b>250</b>	<b>250</b>	2.625"	.060"	2-7/8"	CS200-6CS	CS200-6SS	CS200-6AL
	2-37/64"	2-40/64"	<b>250</b>	<b>250</b>	2.688"	.060"	2-7/8"	CS200-7CS	CS200-7SS	---
	2-41/64"	2-44/64"	<b>250</b>	<b>250</b>	2.750"	.060"	2-7/8"	CS200-8CS	CS200-8SS	---
	2-45/64"	2-48/64"	<b>250</b>	<b>250</b>	2.813"	.060"	2-7/8"	CS200-9CS	CS200-9SS	---
	2-49/64"	2-52/64"	<b>250</b>	<b>250</b>	2.875"	.060"	2-7/8"	CS200-10CS	CS200-10SS	CS200-10AL
	2-53/64"	2-56/64"	<b>250</b>	<b>250</b>	2.938"	.060"	2-7/8"	CS200-11CS	CS200-11SS	CS200-11AL
	2-57/64"	2-60/64"	<b>250</b>	<b>250</b>	3.000"	.060"	2-7/8"	CS200-12CS	CS200-12SS	CS200-12AL
2-1/2"	2-57/64"	2-60/64"	---	*	3.000"	.060"	3-1/4"	CS250-5CS	---	---
	2-61/64"	3"	---	*	3.063"	.060"	3-1/4"	CS250-6CS	---	---
	3-1/64"	3-4/64"	---	*	3.125"	.060"	3-1/4"	CS250-7CS	---	---
	3-5/64"	3-8/64"	---	*	3.188"	.060"	3-1/4"	CS250-8CS	---	---

\* Consult Dixon at [engineering@dixonvalve.com](mailto:engineering@dixonvalve.com) for pressure rating

<sup>1</sup> Based on using crimp cam and groove shanks

<sup>2</sup> Based on using King Crimp nipples

## King Crimp Style Sleeves

- Only use the crimp style shanks with the crimp style sleeves and ferrules. Due to differences in dimensions and tolerances for safety reasons, do not interchange other manufacturers' products with Dixon® products.
- For liquid service only
- Not intended for steam service



Hose I.D.	Hose O.D.		Work. Pressure (PSI)		Sleeve I.D.	Sleeve Wall Thick.	Sleeve Overall Length	Carbon Steel Part #	304 Stainless Steel Part #	Aluminum Part #
	From	To	cam & groove <sup>1</sup>	King Crimp nipple <sup>2</sup>						
3"	3-13/64"	3-16/64"	125	200	3.313"	.090"	3-3/4"	CS300-1CS	CS300-1SS	---
	3-17/64"	3-20/64"	125	200	3.375"	.090"	3-3/4"	CS300-2CS	CS300-2SS	---
	3-21/64"	3-24/64"	125	200	3.438"	.090"	3-3/4"	CS300-3CS	CS300-3SS	---
	3-25/64"	3-28/64"	125	200	3.500"	.090"	3-3/4"	CS300-4CS	CS300-4SS	---
	3-29/64"	3-32/64"	125	200	3.563"	.090"	3-3/4"	CS300-5CS	CS300-5SS	CS300-5AL
	3-33/64"	3-36/64"	125	200	3.625"	.090"	3-3/4"	CS300-6CS	CS300-6SS	---
	3-37/64"	3-40/64"	125	200	3.688"	.090"	3-3/4"	CS300-7CS	CS300-7SS	CS300-7AL
	3-41/64"	3-44/64"	125	200	3.750"	.090"	3-3/4"	CS300-8CS	CS300-8SS	CS300-8AL
	3-45/64"	3-48/64"	125	200	3.813"	.090"	3-3/4"	CS300-9CS	CS300-9SS	---
	3-49/64"	3-52/64"	125	200	3.875"	.090"	3-3/4"	CS300-10CS	CS300-10SS	CS300-10AL
	3-53/64"	3-56/64"	125	200	3.938"	.090"	3-3/4"	CS300-11CS	CS300-11SS	---
	3-57/64"	3-60/64"	125	200	4.000"	.090"	3-3/4"	CS300-12CS	CS300-12SS	CS300-12AL
	3-61/64"	4"	125	200	4.063"	.090"	3-3/4"	CS300-13CS	CS300-13SS	---
	4-1/64"	4-4/64"	125	200	4.125"	.090"	3-3/4"	CS300-14CS	CS300-14SS	---
	4-5/64"	4-8/64"	125	200	4.188"	.090"	3-3/4"	CS300-15CS	CS300-15SS	---
	4-9/64"	4-12/64"	125	200	4.250"	.090"	3-3/4"	CS300-16CS	CS300-16SS	---
4"	4-13/64"	4-16/64"	110	175	4.313"	.090"	3-3/4"	CS400-1CS	CS400-1SS	---
	4-17/64"	4-20/64"	110	175	4.375"	.090"	3-3/4"	CS400-2CS	CS400-2SS	---
	4-21/64"	4-24/64"	110	175	4.438"	.090"	3-3/4"	CS400-3CS	CS400-3SS	---
	4-25/64"	4-28/64"	110	175	4.500"	.090"	3-3/4"	CS400-4CS	CS400-4SS	---
	4-29/64"	4-32/64"	110	175	4.563"	.090"	3-3/4"	CS400-5CS	CS400-5SS	---
	4-33/64"	4-36/64"	110	175	4.625"	.090"	3-3/4"	CS400-6CS	CS400-6SS	---
	4-37/64"	4-40/64"	110	175	4.688"	.090"	3-3/4"	CS400-7CS	CS400-7SS	---
	4-41/64"	4-44/64"	110	175	4.750"	.090"	3-3/4"	CS400-8CS	CS400-8SS	---
	4-45/64"	4-48/64"	110	175	4.813"	.090"	3-3/4"	CS400-9CS	CS400-9SS	---
	4-49/64"	4-52/64"	110	175	4.875"	.090"	3-3/4"	CS400-10CS	CS400-10SS	CS400-10AL
	4-53/64"	4-56/64"	110	175	4.938"	.090"	3-3/4"	CS400-11CS	CS400-11SS	CS400-11AL
	4-57/64"	4-60/64"	110	175	5.000"	.090"	3-3/4"	CS400-12CS	CS400-12SS	CS400-12AL
	4-61/64"	5"	110	175	5.063"	.090"	3-3/4"	CS400-13CS	CS400-13SS	---
	5-1/64"	5-4/64"	110	175	5.125"	.090"	3-3/4"	CS400-14CS	CS400-14SS	---
	5-5/64"	5-8/64"	110	175	5.188"	.090"	3-3/4"	CS400-15CS	CS400-15SS	---
	5-9/64"	5-12/64"	110	175	5.250"	.090"	3-3/4"	CS400-16CS	CS400-16SS	---
6"	6-21/64"	6-28/64"	*	*	6.500"	.120"	5-1/2"	CS600-1CS	CS600-1SS	---
	6-29/64"	6-36/64"	*	*	6.625"	.120"	5-1/2"	CS600-2CS	CS600-2SS	---
	6-37/64"	6-44/64"	*	*	6.750"	.120"	5-1/2"	CS600-3CS	CS600-3SS	---
	6-45/64"	6-52/64"	*	*	6.875"	.120"	5-1/2"	CS600-4CS	CS600-4SS	---
	6-53/64"	6-60/64"	*	*	7.000"	.120"	5-1/2"	CS600-5CS	CS600-5SS	---
	6-61/64"	7-4/64"	*	*	7.125"	.120"	5-1/2"	CS600-6CS	CS600-6SS	---
	7-5/64"	7-12/64"	*	*	7.250"	.120"	5-1/2"	CS600-7CS	CS600-7SS	---
	7-13/64"	7-20/64"	*	*	7.375"	.120"	5-1/2"	CS600-8CS	CS600-8SS	---
	7-21/64"	7-28/64"	*	*	7.500"	.120"	5-1/2"	CS600-9CS	CS600-9SS	---

\* Consult Dixon at [engineering@dixonvalve.com](mailto:engineering@dixonvalve.com) for pressure rating

<sup>1</sup> Based on using crimp cam and groove shanks

<sup>2</sup> Based on using King Crimp nipples



### King Crimp Style Ferrules

Only use the crimp style shanks with the crimp style sleeves and ferrules. Due to differences in dimensions and tolerances for safety reasons, do not interchange other manufacturers' products with Dixon® products.



Hose I.D.	Hose O.D.		Work. Pressure (PSI)		Ferrule I.D.	Ferrule Wall Thickness	Ferrule Overall Length	Carbon Steel Part #	304 Stainless Steel Part #
	From	To	cam & groove <sup>1</sup>	King Crimp nipple <sup>2</sup>					
1"	1-13/64"	1-16/64"	*	*	1.313"	.060"	2-13/16"	CF100-1CS	CF100-1SS
	1-17/64"	1-20/64"	*	*	1.375"	.060"	2-13/16"	CF100-2CS	CF100-2SS
	1-21/64"	1-24/64"	*	*	1.438"	.060"	2-13/16"	CF100-3CS	CF100-3SS
	1-25/64"	1-28/64"	*	*	1.500"	.060"	2-13/16"	CF100-4CS	CF100-4SS
	1-29/64"	1-32/64"	*	*	1.563"	.060"	2-13/16"	CF100-5CS	CF100-5SS
	1-33/64"	1-36/64"	*	*	1.625"	.060"	2-13/16"	CF100-6CS	CF100-6SS
	1-37/64"	1-40/64"	*	*	1.688"	.060"	2-13/16"	CF100-7CS	CF100-7SS
	1-41/64"	1-44/64"	*	*	1.750"	.060"	2-13/16"	CF100-8CS	CF100-8SS
	1-45/64"	1-48/64"	*	*	1.813"	.060"	2-13/16"	CF100-9CS	CF100-9SS
	1-49/64"	1-52/64"	*	*	1.875"	.060"	2-13/16"	CF100-10CS	CF100-10SS
1-1/4"	1-41/64"	1-44/64"	250	350	1.750"	.060"	2-13/16"	CF125-3CS	CF125-3SS
	1-45/64"	1-48/64"	250	350	1.813"	.060"	2-13/16"	CF125-4CS	CF125-4SS
	1-49/64"	1-52/64"	250	350	1.875"	.060"	2-13/16"	CF125-5CS	CF125-5SS
	1-53/64"	1-56/64"	250	350	1.938"	.060"	2-13/16"	CF125-6CS	CF125-6SS
1-1/2"	1-41/64"	1-44/64"	250	350	1.750"	.062"	2-13/16"	CF150-1CS	CF150-1SS
	1-45/64"	1-48/64"	250	350	1.813"	.060"	2-13/16"	CF150-2CS	CF150-2SS
	1-49/64"	1-52/64"	250	350	1.875"	.060"	2-13/16"	CF150-3CS	CF150-3SS
	1-53/64"	1-56/64"	250	350	1.938"	.060"	2-13/16"	CF150-4CS	CF150-4SS
	1-57/64"	1-60/64"	250	350	2.000"	.060"	2-13/16"	CF150-5CS	CF150-5SS
	1-61/64"	2"	250	350	2.063"	.060"	2-13/16"	CF150-6CS	CF150-6SS
	2-1/64"	2-4/64"	250	350	2.125"	.060"	2-13/16"	CF150-7CS	CF150-7SS
	2-5/64"	2-8/64"	250	350	2.188"	.060"	2-13/16"	CF150-8CS	CF150-8SS
	2-9/64"	2-12/64"	250	350	2.250"	.060"	2-13/16"	CF150-9CS	CF150-9SS
	2-13/64"	2-16/64"	250	350	2.313"	.060"	2-13/16"	CF150-10CS	CF150-10SS
2-17/64"	2-20/64"	250	350	2.375"	.060"	2-13/16"	CF150-11CS	CF150-11SS	
2-21/64"	2-24/64"	250	350	2.438"	.060"	2-13/16"	CF150-12CS	CF150-12SS	
2"	2-13/64"	2-16/64"	250	300	2.313"	.060"	3-1/8"	CF200-1CS	CF200-1SS
	2-17/64"	2-20/64"	250	300	2.375"	.060"	3-1/8"	CF200-2CS	CF200-2SS
	2-21/64"	2-24/64"	250	300	2.438"	.060"	3-1/8"	CF200-3CS	CF200-3SS
	2-25/64"	2-28/64"	250	300	2.500"	.060"	3-1/8"	CF200-4CS	CF200-4SS
	2-29/64"	2-32/64"	250	300	2.563"	.060"	3-1/8"	CF200-5CS	CF200-5SS
	2-33/64"	2-36/64"	250	300	2.625"	.060"	3-1/8"	CF200-6CS	CF200-6SS
	2-37/64"	2-40/64"	250	300	2.688"	.060"	3-1/8"	CF200-7CS	CF200-7SS
	2-41/64"	2-44/64"	250	300	2.750"	.060"	3-1/8"	CF200-8CS	CF200-8SS
	2-45/64"	2-48/64"	250	300	2.813"	.060"	3-1/8"	CF200-9CS	CF200-9SS
	2-49/64"	2-52/64"	250	300	2.875"	.060"	3-1/8"	CF200-10CS	CF200-10SS
	2-53/64"	2-56/64"	250	300	2.938"	.060"	3-1/8"	CF200-11CS	CF200-11SS
	2-57/64"	2-60/64"	250	300	3.000"	.060"	3-1/8"	CF200-12CS	CF200-12SS
2-1/2"	2-57/64"	2-60/64"	---	300	3.000"	.060"	3-1/2"	CF250-5CS	---
	2-61/64"	3"	---	300	3.063"	.060"	3-1/2"	CF250-6CS	---
	3-1/64"	3-4/64"	---	300	3.125"	.060"	3-1/2"	CF250-7CS	---
	3-5/64"	3-8/64"	---	300	3.188"	.060"	3-1/2"	CF250-8CS	---

\* Consult Dixon at [engineering@dixonvalve.com](mailto:engineering@dixonvalve.com) for pressure rating

<sup>1</sup> Based on using crimp cam and groove shanks

<sup>2</sup> Based on using King Crimp nipples

### King Crimp Style Ferrules

Only use the crimp style shanks with the crimp style sleeves and ferrules. Due to differences in dimensions and tolerances for safety reasons, do not interchange other manufacturers' products with Dixon® products.



Hose I.D.	Hose O.D.		Work. Pressure (PSI)		Ferrule I.D.	Ferrule Wall Thickness	Ferrule Overall Length	Carbon Steel Part #	304 Stainless Steel Part #
	From	To	cam & groove <sup>1</sup>	King Crimp nipple <sup>2</sup>					
3"	3-13/64"	3-16/64"	150	300	3.313"	.090"	4"	CF300-1CS	CF300-1SS
	3-17/64"	3-20/64"	150	300	3.375"	.090"	4"	CF300-2CS	CF300-2SS
	3-21/64"	3-24/64"	150	300	3.438"	.090"	4"	CF300-3CS	CF300-3SS
	3-25/64"	3-28/64"	150	300	3.500"	.090"	4"	CF300-4CS	CF300-4SS
	3-29/64"	3-32/64"	150	300	3.563"	.090"	4"	CF300-5CS	CF300-5SS
	3-33/64"	3-36/64"	150	300	3.625"	.090"	4"	CF300-6CS	CF300-6SS
	3-37/64"	3-40/64"	150	300	3.688"	.090"	4"	CF300-7CS	CF300-7SS
	3-41/64"	3-44/64"	150	300	3.750"	.090"	4"	CF300-8CS	CF300-8SS
	3-45/64"	3-48/64"	150	300	3.813"	.090"	4"	CF300-9CS	CF300-9SS
	3-49/64"	3-52/64"	150	300	3.875"	.090"	4"	CF300-10CS	CF300-10SS
	3-53/64"	3-56/64"	150	300	3.938"	.090"	4"	CF300-11CS	CF300-11SS
	3-57/64"	3-60/64"	150	300	4.000"	.090"	4"	CF300-12CS	CF300-12SS
	3-61/64"	4"	150	300	4.063"	.090"	4"	CF300-13CS	CF300-13SS
	4-1/64"	4-4/64"	150	300	4.125"	.090"	4"	CF300-14CS	CF300-14SS
	4-5/64"	4-8/64"	150	300	4.188"	.090"	4"	CF300-15CS	CF300-15SS
	4-9/64"	4-12/64"	150	300	4.250"	.090"	4"	CF300-16CS	CF300-16SS
4"	4-13/64"	4-16/64"	150	300	4.313"	.090"	4"	CF400-1CS	CF400-1SS
	4-17/64"	4-20/64"	150	300	4.375"	.090"	4"	CF400-2CS	CF400-2SS
	4-21/64"	4-24/64"	150	300	4.438"	.090"	4"	CF400-3CS	CF400-3SS
	4-25/64"	4-28/64"	150	300	4.500"	.090"	4"	CF400-4CS	CF400-4SS
	4-29/64"	4-32/64"	150	300	4.563"	.090"	4"	CF400-5CS	CF400-5SS
	4-33/64"	4-36/64"	150	300	4.625"	.090"	4"	CF400-6CS	CF400-6SS
	4-37/64"	4-40/64"	150	300	4.688"	.090"	4"	CF400-7CS	CF400-7SS
	4-41/64"	4-44/64"	150	300	4.750"	.090"	4"	CF400-8CS	CF400-8SS
	4-45/64"	4-48/64"	150	300	4.813"	.090"	4"	CF400-9CS	CF400-9SS
	4-49/64"	4-52/64"	150	300	4.875"	.090"	4"	CF400-10CS	CF400-10SS
	4-53/64"	4-56/64"	150	300	4.938"	.090"	4"	CF400-11CS	CF400-11SS
	4-57/64"	4-60/64"	150	300	5.000"	.090"	4"	CF400-12CS	CF400-12SS
	4-61/64"	5"	150	300	5.063"	.090"	4"	CF400-13CS	CF400-13SS
	5-1/64"	5-4/64"	150	300	5.125"	.090"	4"	CF400-14CS	CF400-14SS
	5-5/64"	5-8/64"	150	300	5.188"	.090"	4"	CF400-15CS	CF400-15SS
	5-9/64"	5-12/64"	150	300	5.250"	.090"	4"	CF400-16CS	CF400-16SS
6"	6-21/64"	6-28/64"	*	*	6.500"	.120"	5-7/8"	CF600-1CS	CF600-1SS
	6-29/64"	6-36/64"	*	*	6.625"	.120"	5-7/8"	CF600-2CS	CF600-2SS
	6-37/64"	6-44/64"	*	*	6.750"	.120"	5-7/8"	CF600-3CS	CF600-3SS
	6-45/64"	6-52/64"	*	*	6.875"	.120"	5-7/8"	CF600-4CS	CF600-4SS
	6-53/64"	6-60/64"	*	*	7.000"	.120"	5-7/8"	CF600-5CS	CF600-5SS
	6-61/64"	7-4/64"	*	*	7.125"	.120"	5-7/8"	CF600-6CS	CF600-6SS
	7-5/64"	7-12/64"	*	*	7.250"	.120"	5-7/8"	CF600-7CS	CF600-7SS
	7-13/64"	7-20/64"	*	*	7.375"	.120"	5-7/8"	CF600-8CS	CF600-8SS
	7-21/64"	7-28/64"	*	*	7.500"	.120"	5-7/8"	CF600-9CS	CF600-9SS

\* Consult Dixon at [engineering@dixonvalve.com](mailto:engineering@dixonvalve.com) for pressure rating

<sup>1</sup> Based on using crimp cam and groove shanks

<sup>2</sup> Based on using King Crimp nipples

## Dixon Sanitary Style Crimp Stems

### Clamp End x Hose Shank

**Features**

- Sanitary style end
- Dixon® sanitary crimp stems are only to be used with Dixon® sanitary stainless steel crimp ferrules on page 143
- Reference dixonvalve.com for crimp recommendations
- Product contact surfaces: I.D. polish is 32 Ra maximum



Size	316 Stainless Steel Part #
1"	CSSR100-3A
1-1/2"	CSSR150-3A
2"	CSSR200-3A
2-1/2"	CSSR250
3"	CSSR300-3A
4"	CSSR400

### Female I-Line End x Hose Shank

**Feature**

- To be used with Sanitary ferrules on page 143



Size	316 Stainless Steel Part #
1-1/2"	CILR150
2"	CILR200
3"	CILR300
4"	CILR400

### Bevel Seat End x Hose Shank

**Feature**

- To be used with Sanitary ferrules on page 143



Size	Nut Used	316 Stainless Steel Part #
1"	13H-G100	CBSR100
1-1/2"	IXAN24	CBSR150
2"	IXAN32	CBSR200
3"	IXAN300	CBSR300
4"	IXAN64	CBSR400

### Tube Weld End x Hose Shank

**Feature**

- To be used with Sanitary ferrules on page 143



Size	316 Stainless Steel Part #
1-1/2"	CTER150
2"	CTER200
3"	CTER300
4"	CTER400



## Dixon® Sanitary Style Crimp Ferrules

**Features**

- AISI 304 stainless steel
- Ferrules have a surface finish of 63 Ra or better

Size	Hose O.D.		304 Stainless Steel Part #
	From	To	
1"	1-26/64"	1-28/64"	F16G-1453
	1-29/64"	1-31/64"	F16G-1500
	1-32/64"	1-34/64"	F16G-1547
	1-35/64"	1-37/64"	F16G-1594
	1-38/64"	1-40/64"	F16G-1641
	1-41/64"	1-43/64"	F16G-1687
	1-44/64"	1-46/64"	F16G-1734
	1-47/64"	1-49/64"	F16G-1781
1-1/2"	1-58/64"	1-61/64"	F24G-1969
	1-62/64"	2-1/64"	F24G-2031
	2-2/64"	2-5/64"	F24G-2094
	2-6/64"	2-9/64"	F24G-2156
	2-10/64"	2-13/64"	F24G-2219
	2-14/64"	2-17/64"	F24G-2281
	2-18/64"	2-21/64"	F24G-2344
	2-22/64"	2-25/64"	F24G-2406
2"	2-30/64"	2-33/64"	F32G-2531
	2-34/64"	2-37/64"	F32G-2594
	2-38/64"	2-41/64"	F32G-2656
	2-42/64"	2-45/64"	F32G-2719
	2-46/64"	2-48/64"	F32G-2766
	2-49/64"	2-51/64"	F32G-2815
	2-52/64"	2-55/64"	F32G-2875
	2-56/64"	2-59/64"	F32G-2938
	2-60/64"	2-63/64"	F32G-3000
3"	3-3/64"	F32G-3063	
2-1/2"	3-4/64"	3-7/64"	F32G-3125
	3"	3-3/64"	F40G-3063
	3-4/64"	3-7/64"	F40G-3125
	3-8/64"	3-11/64"	F40G-3188
	3-12/64"	3-15/64"	F40G-3250
	3-16/64"	3-19/64"	F40G-3313
	3-20/64"	3-23/64"	F40G-3375
3"	3-24/64"	3-26/64"	F40G-3437
	3-36/64"	3-39/64"	F48G-3625
	3-40/64"	3-43/64"	F48G-3688
	3-44/64"	3-47/64"	F48G-3750
	3-48/64"	3-51/64"	F48G-3813
	3-52/64"	3-55/64"	F48G-3875
	3-56/64"	3-59/64"	F48G-3938
4"	3-61/64"	4"	F48G-4016
	4-40/64"	4-43/64"	F64G-4688
	4-44/64"	4-47/64"	F64G-4750
	4-48/64"	4-51/64"	F64G-4813
	4-52/64"	4-55/64"	F64G-4875
	4-56/64"	4-59/64"	F64G-4938
	5-5/64"	5-8/64"	F64G-5141



## Vacuum Fittings KF Flanges and Fittings



**Application**

- Vacuum sealing for 1/2" - 2" O.D.

**Size**

- KF10 - KF50



**Features**

- Each assembly contains two identical flanges and a centering ring assembly and is clamped together with a thumbscrew clamp
- Coupling features prevent O-ring collapse and keep the assembly aligned
- KF flanges are compatible with other ISO-KF-QF vacuum flange manufacturers' components
- All fittings are IPA cleaned and bagged in a controlled environment
- MTRs available

**Materials**

- Fittings: 304 stainless steel standard (316L stainless steel optional)
- Clamps: aluminum
- O-ring: FKM

**Specifications**

- Maximum temperature: 302°F (150°C)
- Helium leakage testing to 1x10<sup>-8</sup> Torr
- Standards followed: ISO2681



**Part Number Key**

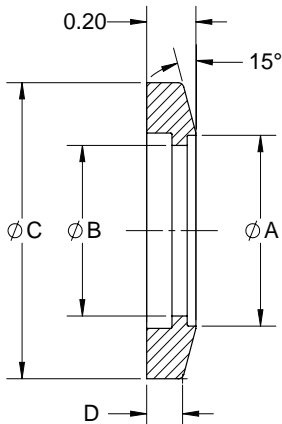
Example: **DVF - A 10 G A**

(KF10, 304 stainless steel bored flange)

Product Line	-	Series	Size	Material	Type
DVF		A - KF B - ISO C - Fitting	10 - KF10 16 - KF16 25 - KF25 40 - KF40 50 - KF50	G - 304 stainless steel R - 316L stainless steel <sup>1</sup> L - Aluminum (clamp only)	A - KF bored flange
					B - KF blank flange
					C - KF short weld flange
					D - KF long weld flange
					E - KF centering ring assembly
					F - KF overpressure ring
					G - KF flex bellow
					H - KF clamp

<sup>1</sup> Minimum quantity requirements apply.

**KF Bored Flanges**

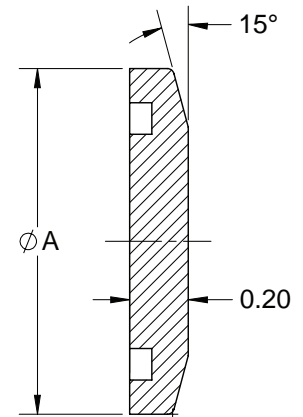


Flange Size	A (in)	B (in)	C (in)	D (in)	304 Stainless Steel Part #
KF10	0.51	0.45	1.18	0.12	DVF-A10GA
KF16	0.76	0.68	1.18	0.11	DVF-A16GA
KF25	1.01	0.94	1.58	0.13	DVF-A25GA
KF40	1.51	1.43	2.17	0.12	DVF-A40GA
KF50	2.01	1.94	2.95	0.12	DVF-A50GA

### Vacuum Fittings

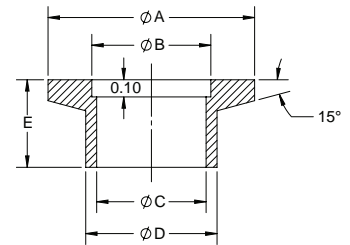
#### KF Blank Flanges

Flange Size	A (in)	304 Stainless Steel Part #
KF10	1.18	DVF-A10GB
KF16	1.18	DVF-A16GB
KF25	1.58	DVF-A25GB
KF40	2.17	DVF-A40GB
KF50	2.95	DVF-A50GB



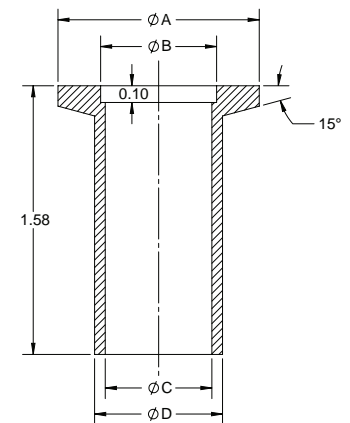
#### KF Short Weld Flanges

Flange Size	A (in)	B (in)	C (in)	D (in)	E (in)	304 Stainless Steel Part #
KF10	1.18	0.48	0.37	0.50	0.50	DVF-A10GC
KF16	1.18	0.67	0.62	0.75	0.50	DVF-A16GC
KF25	1.58	1.03	0.87	1.00	0.50	DVF-A25GC
KF40	2.17	1.62	1.37	1.50	0.75	DVF-A40GC
KF50	2.95	2.05	1.87	2.00	0.75	DVF-A50GC



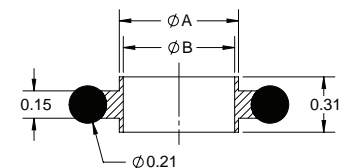
#### KF Long Weld Flanges

Flange Size	A (in)	B (in)	C (in)	D (in)	304 Stainless Steel Part #
KF10	1.18	0.48	0.37	0.50	DVF-A10GD
KF16	1.18	0.67	0.62	0.75	DVF-A16GD
KF25	1.58	1.03	0.87	1.00	DVF-A25GD
KF40	2.17	1.62	1.37	1.50	DVF-A40GD
KF50	2.95	2.05	1.87	2.00	DVF-A50GD



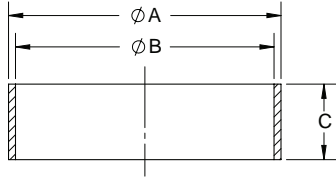
#### KF Centering Ring Assemblies

Flange Size	A (in)	B (in)	304 Stainless Steel with FKM O-ring Part #
KF10	0.48	0.44	DVF-A10GE
KF16	0.67	0.63	DVF-A16GE
KF25	1.02	0.98	DVF-A25GE
KF40	1.61	1.57	DVF-A40GE
KF50	2.05	1.97	DVF-A50GE



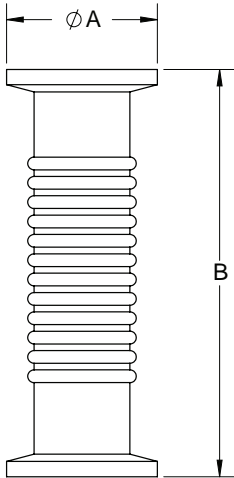
Vacuum Fittings

KF Overpressure Rings



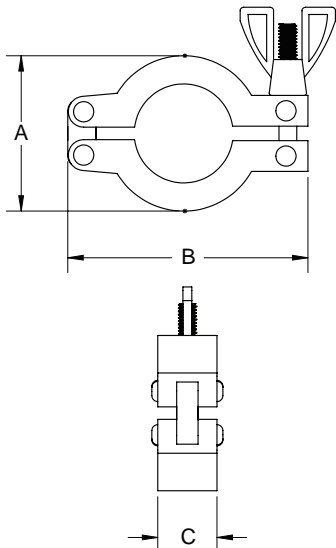
Flange Size	A (in)	B (in)	C (in)	Max PSIG	304 Stainless Steel Part #
KF10	1.25	1.19	0.35	100	DVF-A1016GF
KF16	1.25	1.19	0.35	100	DVF-A1016GF
KF25	1.66	1.58	0.35	100	DVF-A25GF
KF40	2.26	2.18	0.35	75	DVF-A40GF
KF50	2.77	2.64	0.15	50	DVF-A50GF

KF Flex Bellows (Formed)



Flange Size	A (in)	B (in)	304 Stainless Steel Part #
KF10	1.18	3.20	DVF-A10GG
KF16	1.18	3.20	DVF-A16GG
KF25	1.58	4.20	DVF-A25GG
KF40	2.17	4.20	DVF-A40GG
KF50	2.95	4.20	DVF-A50GG

KF Clamps



Flange Size	A (in)	B (in)	C (in)	Aluminum Part #
KF10	1.69	2.39	0.63	DVF-A1016LH
KF16	1.69	2.39	0.63	DVF-A1016LH
KF25	2.14	2.80	0.63	DVF-A25LH
KF40	2.75	3.44	0.63	DVF-A40LH
KF50	3.50	4.25	0.71	DVF-A50LH

## Vacuum Fittings ISO Flanges and Fittings

### Application

- Vacuum sealing for 2-1/2" - 10" O.D. tubing

### Sizes

- ISO63 - ISO250

### Features

- Each assembly contains two identical flanges and a centering ring assembly and is joined together by clamps
- Centering ring keeps the flanges in line and prevents the O-ring from being pushed in by atmospheric pressure
- Multiple clamps must be used to ensure a sturdy connection
- ISO fittings are compatible with other manufacturers' ISO-KF-QF vacuum flanges
- All fittings are IPA cleaned and bagged in a controlled environment
- MTRs available

### Materials

- Fittings: 304 stainless steel standard (316L stainless steel optional)
- Clamps: aluminum
- O-ring: FKM

### Specifications

- Maximum temperature: 302°F (150°C)
- Helium leakage testing to 1x10<sup>-8</sup> Torr
- Standards followed: ISO2861



### Part Number Breakdown

**Example: DVF - B 63 G A**

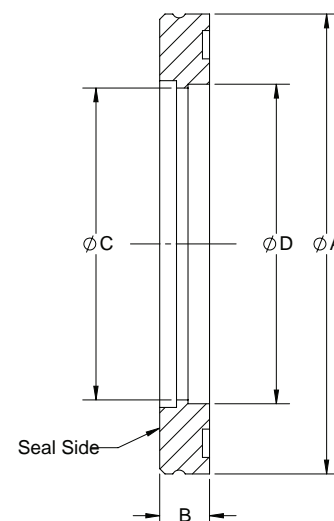
(ISO63, 304 stainless steel bored flange)

Product Line	-	Series	Size	Material	Type
DVF		A - KF B - ISO C - Fitting	63 - ISO63 80 - ISO80 100 - ISO100 160 - ISO160 200 - ISO200 250 - ISO250	G - 304 stainless steel R - 316L stainless steel <sup>1</sup> L - Aluminum (clamp only)	A - ISO bored flange B - ISO blank flange E - ISO centering ring assembly G - ISO flexible bellow H - ISO double claw clamp

<sup>1</sup> Minimum quantity requirements apply.

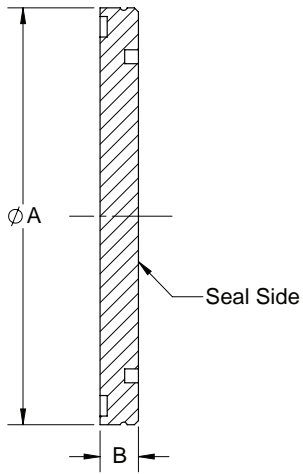
### ISO Bored Flanges

Flange Size	A (in)	B (in)	C (in)	D (in)	304 Stainless Steel Part #
ISO63	3.74	0.47	2.44	2.51	DVF-B63GA
ISO80	4.33	0.47	2.94	3.01	DVF-B80GA
ISO100	5.12	0.47	3.91	4.02	DVF-B100GA
ISO160	7.09	0.47	5.87	6.03	DVF-B160GA
ISO200	9.45	0.47	7.87	8.03	DVF-B200GA
ISO250	11.42	0.47	9.88	10.02	DVF-B250GA



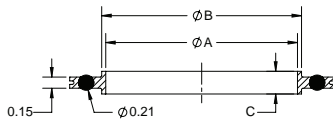
Vacuum Fittings

ISO Blank Flanges



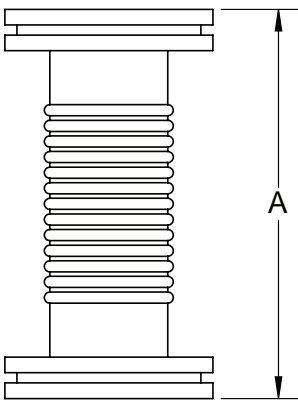
Flange Size	A (in)	B (in)	304 Stainless Steel Part #
ISO63	3.74	0.47	DVF-B63GB
ISO80	4.33	0.47	DVF-B80GB
ISO100	5.12	0.47	DVF-B100GB
ISO160	7.09	0.47	DVF-B160GB
ISO200	9.45	0.47	DVF-B200GB
ISO250	11.42	0.47	DVF-B250GB

ISO Centering Rings Assemblies



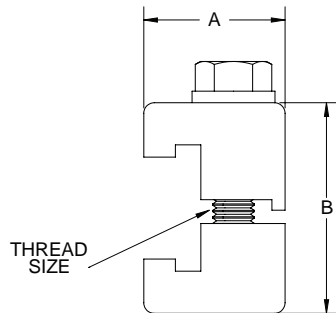
Flange Size	A (in)	B (in)	C (in)	304 Stainless Steel Centering Ring FKM O-ring Aluminum Spacer Ring Part #
ISO63	2.63	2.74	0.31	DVF-B63GE
ISO80	3.14	3.25	0.31	DVF-B80GE
ISO100	3.89	4.00	0.31	DVF-B100GE
ISO160	5.90	6.01	0.31	DVF-B160GE
ISO200	8.26	8.37	0.31	DVF-B200GE

ISO Flexible Bellow (Formed)



Flange Size	A (in)	Compressed Length (in)	304 Stainless Steel Part #
ISO63	7.00	6.00	DVF-B63GG
ISO80	7.00	6.00	DVF-B80GG
ISO100	7.00	6.00	DVF-B100GG
ISO160	7.00	6.00	DVF-B160GG
ISO200	7.00	6.00	DVF-B200GG
ISO250	13.50	10.50	DVF-B250GG

ISO Double Claw Clamps



Flange Size	A (in)	B (in)	Thread Size	Qty. of Clamps Required	Aluminum Part #
ISO63	0.94	1.96	5/16"-18	3 - 4	DVF-B63100LH
ISO80	0.94	1.96	5/16"-18	4 - 8	DVF-B63100LH
ISO100	0.94	1.96	5/16"-18	4 - 8	DVF-B63100LH
ISO160	1.10	1.96	5/16"-18	4 - 8	DVF-B160250LH
ISO200	1.10	1.96	5/16"-18	6 - 12	DVF-B160250LH
ISO250	1.10	1.96	5/16"-18	6 - 12	DVF-B160250LH

NOTE: ISO clamps are sold in multiples of 4.

## Vacuum Weld Fittings

Each part is crafted with precision to ensure a leak-free fit. All fittings are IPA cleaned and bagged in a controlled environment.

### Application

- Vacuum sealing weld fittings used in the semiconductor industry

### Sizes

- 1/2" - 6"

### Feature

- Material Test Reports (MTRs) available

### Material

- Fittings: 304 stainless steel standard (316L stainless steel optional)

### Specifications

- Helium leakage testing to  $1 \times 10^{-8}$  Torr
- Maximum temperature: **302°F (150°C)**
- Standards followed: ASTM A270, ASTM A269, and ASME SA270



### Part Number Key

Example: **DVF - C 050 G 1 Q**

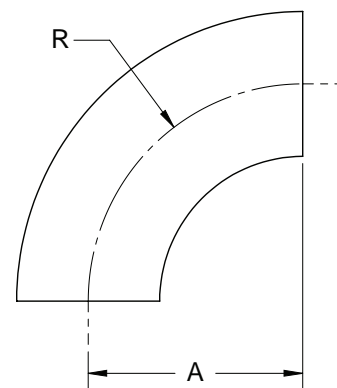
(1/2" 90° elbow, polished weld fitting, 304 stainless steel)

Product Line	-	Series	Size	Material	Finish	Type
DVF		A - KF B - ISO C - Fitting	050 - 1/2" 075 - 3/4" 100 - 1" 150 - 1-1/2" 200 - 2" 250 - 2-1/2" 300 - 3" 400 - 4" 600 - 6"	G - 304 stainless steel R - 316L stainless steel <sup>1</sup>	1 - polished 2 - bead blast <sup>1</sup>	Q - 90° elbow R - 90° elbow with tangents S - 45° elbow T - 45° elbow with tangents U - concentric reducer V - tee W - reducing tee

<sup>1</sup> Minimum quantity requirements apply.

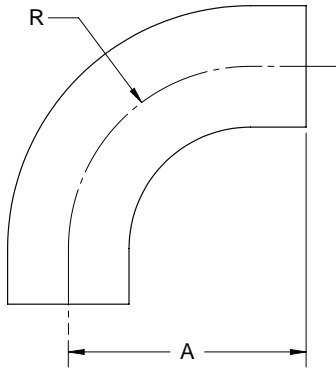
### Weld 90° Elbows

O.D.	A (in)	R (in)	304 Stainless Steel Part #
1/2"	0.75	0.75	DVF-C050G1Q
3/4"	1.00	1.00	DVF-C075G1Q
1"	1.50	1.50	DVF-C100G1Q
1-1/2"	2.25	2.25	DVF-C150G1Q
2"	3.00	3.00	DVF-C200G1Q
2-1/2"	3.75	3.75	DVF-C250G1Q
3"	4.50	4.50	DVF-C300G1Q
4"	6.00	6.00	DVF-C400G1Q
6"	9.00	9.00	DVF-C600G1Q



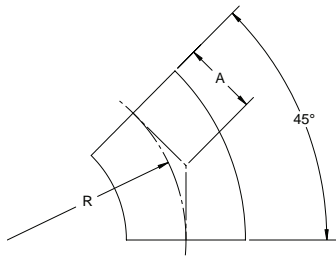
Vacuum Fittings

Weld 90° Elbows with Tangents



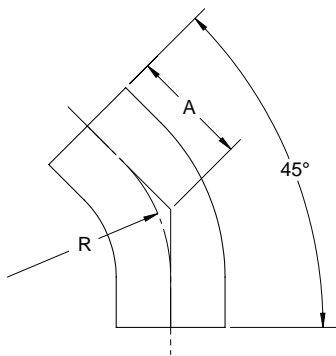
O.D.	A (in)	R (in)	304 Stainless Steel Part #
3/4"	1.42	1.00	DVF-C075G1R
1"	1.82	1.50	DVF-C100G1R
1-1/2"	2.94	2.25	DVF-C150G1R
2"	4.06	3.00	DVF-C200G1R
2-1/2"	5.19	3.75	DVF-C250G1R
3"	6.31	4.50	DVF-C300G1R
4"	8.31	6.00	DVF-C400G1R
6"	11.50	9.00	DVF-C600G1R

Weld 45° Elbows



O.D.	A (in)	R (in)	304 Stainless Steel Part #
1/2"	0.31	0.75	DVF-C050G1S
3/4"	0.41	1.00	DVF-C075G1S
1"	0.62	1.50	DVF-C100G1S
1-1/2"	0.93	2.25	DVF-C150G1S
2"	1.25	3.00	DVF-C200G1S
2-1/2"	1.53	3.75	DVF-C250G1S
3"	1.84	4.50	DVF-C300G1S
4"	2.50	6.00	DVF-C400G1S
6"	3.73	9.00	DVF-C600G1S

Weld 45° Elbows with Tangents



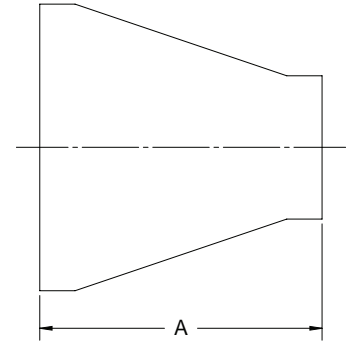
O.D.	A (in)	R (in)	304 Stainless Steel Part #
3/4"	0.76	1.00	DVF-C075G1T
1"	1.19	1.50	DVF-C100G1T
1-1/2"	1.63	2.25	DVF-C150G1T
2"	2.31	3.00	DVF-C200G1T
2-1/2"	3.00	3.75	DVF-C250G1T
3"	3.68	4.50	DVF-C300G1T
4"	4.81	6.00	DVF-C400G1T
6"	7.33	9.00	DVF-C600G1T



## Vacuum Fittings

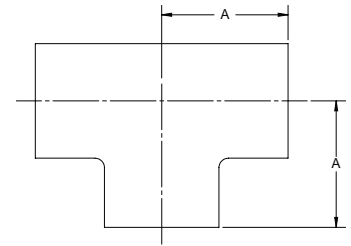
### Concentric Reducers with Tangents

O.D.	A (in)	304 Stainless Steel Part #
1" x 3/4"	1.38	DVF-C100075G1U
1-1/2" x 3/4"	2.38	DVF-C150075G1U
1-1/2" x 1"	2.38	DVF-C150100G1U
2" x 1"	2.38	DVF-C200100G1U
2" x 1-1/2"	2.38	DVF-C200150G1U
2-1/2" x 1-1/2"	2.38	DVF-C250150G1U
2-1/2" x 2"	2.38	DVF-C250200G1U
3" x 1-1/2"	3.63	DVF-C300150G1U
3" x 2"	3.63	DVF-C300200G1U
3" x 2-1/2"	3.63	DVF-C300250G1U
4" x 2"	3.63	DVF-C400200G1U
4" x 2-1/2"	3.63	DVF-C400250G1U
4" x 3"	3.63	DVF-C400300G1U



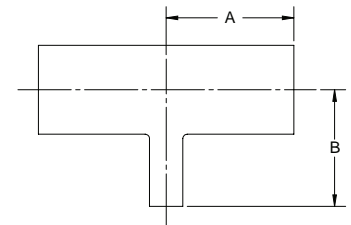
### Weld Tees

O.D.	A (in)	304 Stainless Steel Part #
1/2"	.75	DVF-C050G1V
3/4"	1.00	DVF-C075G1V
1"	1.88	DVF-C100G1V
1-1/2"	2.25	DVF-C150G1V
2"	3.00	DVF-C200G1V
2-1/2"	3.00	DVF-C250G1V
3"	3.25	DVF-C300G1V
4"	3.88	DVF-C400G1V
6"	5.00	DVF-C600G1V



### Weld Reducing Tees

O.D.	A (in)	B (in)	304 Stainless Steel Part #
1" x 3/4"	1.88	2.13	DVF-C100075G1W
1-1/2" x 3/4"	2.25	2.25	DVF-C150075G1W
1-1/2" x 1"	2.25	2.38	DVF-C150100G1W
2" x 1"	3.00	2.38	DVF-C200100G1W
2" x 1-1/2"	3.00	2.38	DVF-C200150G1W
2-1/2" x 1-1/2"	3.00	2.50	DVF-C250150G1W
2-1/2" x 2"	3.00	2.75	DVF-C250200G1W
3" x 1-1/2"	3.25	3.25	DVF-C300150G1W
3" x 2"	3.25	3.00	DVF-C300200G1W
3" x 2-1/2"	3.25	3.25	DVF-C300250G1W
4" x 1-1/2"	3.88	3.50	DVF-C400150G1W
4" x 2"	3.88	4.00	DVF-C400200G1W
4" x 2-1/2"	3.88	3.75	DVF-C400250G1W
4" x 3"	3.88	3.75	DVF-C400300G1W
6" x 3"	5.00	4.75	DVF-C600300G1W
6" x 4"	5.00	4.88	DVF-C600400G1W



## Vacuum Fittings

### MTR - Material Test Reports

An MTR is a report that contains information about the raw materials, chemical properties, and mechanical properties of a part. Dixon Sanitary provides material test reports upon request. Here's how you can access them:

#### Each MTR will contain:

- Part number and part description
- Material and material standards
- Heat number
- Chemical properties
- Mechanical properties
- Job number

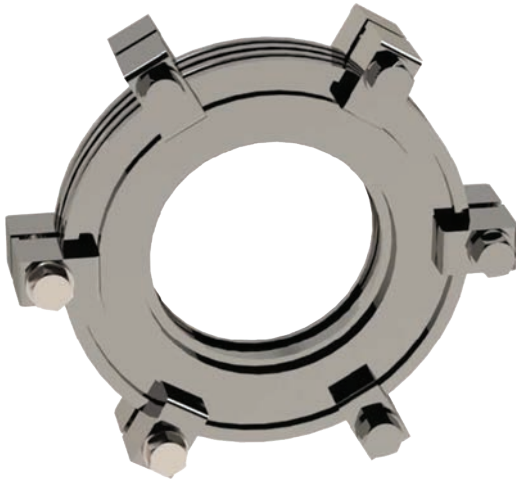


#### To retrieve an MTR by QR code:

1. Scan the QR code on the product packaging
2. Enter the job number (found on the product's packaging bag)
3. Review the MTR

#### To retrieve an MTR at [dixonvalve.com](https://www.dixonvalve.com):

1. Go to [dixonvalve.com/en/knowledge-center/interactive-tools/mtr](https://www.dixonvalve.com/en/knowledge-center/interactive-tools/mtr)
2. Enter the job number (found on the product's packaging bag)
3. Review the MTR



## Breakaway Couplings - Clamp

621  
3  
63-04

### Application

- Minimizes damage associated with pull-away and drive-away incidents

### Features

- Designed to be installed between a fixed point and a hose
- 13kN break load bolts standard; other break loads available
- Coupling breaks away with an excessive load
- Other sizes/connection available
- 3A certified for CIP

### Materials

- 316 stainless steel polished to standard <32Ra, 3A finish
- Clamp gasket: EPDM standard, optional material available

### Specification

- Working pressure: **350 PSI @ 70°F (21°C)**



Size	316 Stainless Steel Part #
2"	SBC-E200CC13
3"	SBC-E300CC13

## Breakaway Couplings - Bevel Seat

621  
3  
63-04

### Application

- Minimizes damage associated with pull-away and drive-away incidents

### Features

- Designed to be installed between a fixed point and a hose
- 13kN break load bolts standard; other break loads available
- Coupling breaks away with an excessive load
- Other sizes / connections available
- 3A certified for COP

### Materials

- 316 stainless steel polished to standard <32Ra, 3A finish
- Clamp gasket: EPDM standard; optional material available

### Specification

- Working pressure: **350 PSI @ 70°F (21°C)**



Size	316 Stainless Steel Part #
2"	SBC-E200TP13
3"	SBC-E300TP13

## Spray Balls

### Rotating - SRH



#### Application

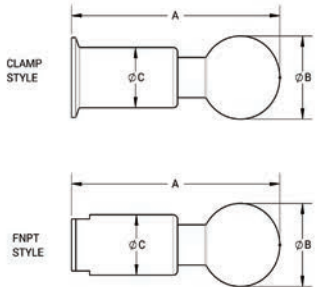
- Ideal for cleaning all types of tanks and vessels

#### Features

- Stainless steel ball bearings
- Cleaning solution lubricates unit
- Mirror-like finish (O.D.)
- Spray pattern: 360°

#### Specification

- Available connections: clamp and NPT



Size	Type	Dimensions			304 Stainless Steel Part #	316L Stainless Steel Part #
		A (in)	B (in)	C (in)		
3/4"	NPT	5.47	2.07	1.50	SRH360NPT-G075	---
1-1/2"	NPT	6.60	2.55	2.00	---	SRH360NPT-R150
	clamp	5.47	2.07	1.50	SRH360CMP-G150	SRH360CMP-R150

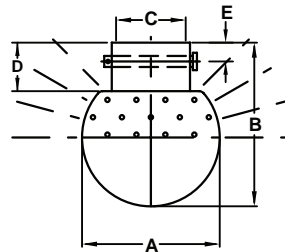
### Stationary - STC

#### Application

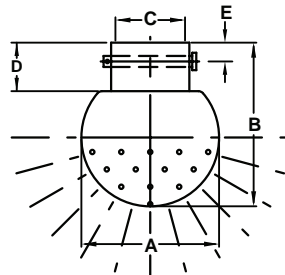
- Typically used in food and beverage industries for cleaning storage tanks

#### Features

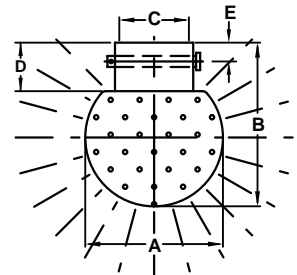
- Heavy duty 316L stainless steel construction
- Stationary - designed to be mounted to a tube or pipe
- 2 mm spray holes
- Various spray patterns available (blanks available as special order)



180° Top Pattern



180° Bottom Pattern



360° Pattern

Size	Pin Length	Spray Pattern	Dimensions					Pin Diameter (in)	316L Stainless Steel Part #
			A (in)	B (in)	C (in)	D (in)	E (in)		
1"	1.47"	360°	2.50	3.04	1.005	.975	.445	.226	STC-360-R100
1-1/2"	1.95"	360°	2.95	3.55	1.505	1.050	.445	.226	STC-360-R150
1"	1.47"	180° bottom	3.54	2.95	1.005	.975	.445	.226	STC-180B-R100
1-1/2"	1.95"	180° bottom	3.54	2.95	1.505	.975	.445	.226	STC-180B-R150
1"	1.47"	180° top	3.54	2.95	1.005	.975	.445	.226	STC-180T-R100
1-1/2"	1.95"	180° top	3.54	2.95	1.505	.975	.445	.226	STC-180T-R150

### Repair Kits

#### Feature

- Repair kit contains  
(1) pin  
(1) R clip

Size	Part #
1"	STC-RK100
1-1/2"	STC-RK150

## Sight Glasses

### Sizes

- 1" - 6" O.D. tube

### Materials

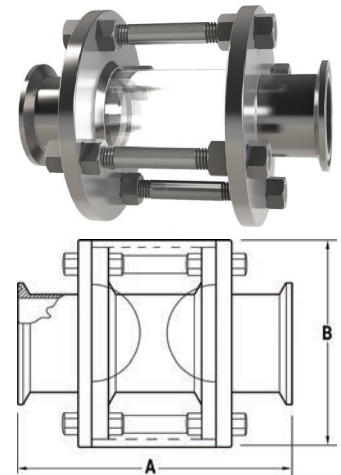
- Body: 316L stainless steel
- Sight glass: Borosilicate glass or polycarbonate
- Gaskets: white nitrile rubber or FKM
- 32Ra sanitary finish, I.D. and O.D.

### In-line - B54BMP

### Specifications

- Various end configurations are available: clamp, weld, bevel seat, John Perry, I-Line, and Q-Line
- Maximum temperature: 200°F (93°C)

Tube O.D.	A (in)	B (in)	Working Pressure (PSI)	316L Stainless Steel Borosilicate Glass Part #	316L Stainless Steel Polycarbonate Part #
1"	5.62	3.25	145	B54BMP-R100	B54BMP-R100LX
1-1/2"	5.62	4.00	145	B54BMP-R150	B54BMP-R150LX
2"	5.62	4.25	145	B54BMP-R200	B54BMP-R200LX
2-1/2"	6.12	4.75	120	B54BMP-R250	B54BMP-R250LX
3"	7.25	5.50	120	B54BMP-R300	B54BMP-R300LX
4"	7.37	6.50	95	B54BMP-R400	B54BMP-R400LX
6"	7.62	9.50	80	B54BMP-R600	B54BMP-R600LX



### Kits and Replacement Parts

Size	Nitrile Rubber Seal Kit Part #	FKM Seal Kit Part #	Borosilicate Glass Replacement Part #	Polycarbonate Replacement Part #
1"	B54BMP-SK100	B54BMP-VK100	B54G-P100	B54BMP-LX100
1-1/2"	B54BMP-SK150	B54BMP-VK150	B54G-P150	B54BMP-LX150
2"	B54BMP-SK200	B54BMP-VK200	B54G-P200	B54BMP-LX200
2-1/2"	B54BMP-SK250	B54BMP-VK250	B54G-P250	B54BMP-LX250
3"	B54BMP-SK300	B54BMP-VK300	B54G-P300	B54BMP-LX300
4"	B54BMP-SK400	B54BMP-VK400	B54G-P400	B54BMP-LX400
6"	B54BMP-SK600	B54BMP-VK600	B54G-P600	B54BMP-LX600

NOTE: Seal kit contains: (2) white nitrile rubber gaskets

## Acrylic Sight Glass End Caps - B5416MP

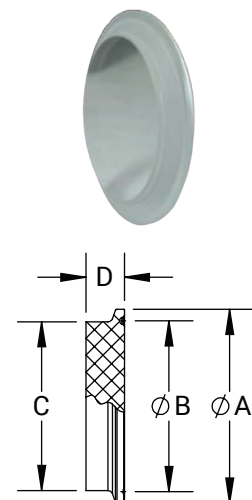
### Feature

- For use with clamp connections

### Specifications

- Maximum temperature: 150°F (66°C)
- Maximum operating pressure: 100 PSI

Tube O.D.	A (in)	B (in)	C (in)	D (in)	Acrylic Plastic Part #
1" - 1-1/2"	1.98	1.72	1.68	.50	B5416MP-A100150
2"	2.52	2.22	2.19	.50	B5416MP-A200
2-1/2"	3.05	2.78	2.71	.50	B5416MP-A250
3"	3.58	3.28	3.22	.50	B5416MP-A300
4"	4.68	4.34	4.26	.50	B5416MP-A400
6"	6.57	6.18	6.13	.50	B5416MP-A600
8"	8.57	8.17	8.22	.50	B5416MP-A800



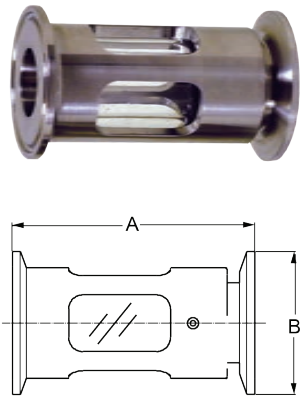
### Compact Sight Glasses - B54BMPS

**Application**

- Used widely in the food, dairy, and beverage sanitary processes to view products and fluids

**Features**

- Compact design
- Clamp connections as standard
- Body screws together for quick disassembly to clean
- Nitrile rubber seals as standard



Tube O.D.	Dimensions		Working Pressure PSI	316 Stainless Steel Borosilicate Glass Nitrile Gaskets Part #	316 Stainless Steel Polycarbonate Nitrile Gaskets Part #
	A (in)	B (in)			
1"	3.38	1.99	145	B54BMPS-R100	B54BMPLX-R100
1-1/2"	3.64	1.99	145	B54BMPS-R150	B54BMPLX-R150
2"	3.83	2.52	145	B54BMPS-R200	B54BMPLX-R200
3"	4.13	3.58	120	B54BMPS-R300	B54BMPLX-R300
4"	4.34	4.68	95	B54BMPS-R400	B54BMPLX-R400

Tube O.D.	Dimensions		Working Pressure PSI	316 Stainless Steel Borosilicate Glass EPDM Gaskets Part #	316 Stainless Steel Polycarbonate EPDM Gaskets Part #
	A (in)	B (in)			
1"	3.38	1.99	145	B54BMPS-R100E	B54BMPLX-R100E
1-1/2"	3.64	1.99	145	B54BMPS-R150E	B54BMPLX-R150E
2"	3.83	2.52	145	B54BMPS-R200E	B54BMPLX-R200E
3"	4.13	3.58	120	B54BMPS-R300E	B54BMPLX-R300E
4"	4.34	4.68	95	B54BMPS-R400E	B54BMPLX-R400E

Tube O.D.	Dimensions		Working Pressure PSI	316 Stainless Steel Borosilicate Glass FKM Gaskets Part #	316 Stainless Steel Polycarbonate FKM Gaskets Part #
	A (in)	B (in)			
1"	3.38	1.99	145	B54BMPS-R100V	B54BMPLX-R100V
1-1/2"	3.64	1.99	145	B54BMPS-R150V	B54BMPLX-R150V
2"	3.83	2.52	145	B54BMPS-R200V	B54BMPLX-R200V
3"	4.13	3.58	120	B54BMPS-R300V	B54BMPLX-R300V
4"	4.34	4.68	95	B54BMPS-R400V	B54BMPLX-R400V

**Seal Kits**



Size	Nitrile Rubber Seal Kit Part #	FKM Rubber Seal Kit Part #	EPDM Rubber Seal Kit Part #
1"	B54BMP-SK100	B54BMP-VK100	B54BMP-EK100
1-1/2"	B54BMP-SK150	B54BMP-VK150	B54BMP-EK150
2"	B54BMP-SK200	B54BMP-VK200	B54BMP-EK200
3"	B54BMP-SK300	B54BMP-VK300	B54BMP-EK300
4"	B54BMP-SK400	B54BMP-VK400	B54BMP-EK400

**Replacement Inserts**



Size	Polycarbonate Replacement Part #	Borosilicate Glass Replacement Part #
1"	B54BMPS-LX100	B54BMPS-GL100
1-1/2"	B54BMPS-LX150	B54BMPS-GL150
2"	B54BMPS-LX200	B54BMPS-GL200
3"	B54BMPS-LX300	B54BMPS-GL300
4"	B54BMPS-LX400	B54BMPS-GL400

## HSG Hygienic Sight Glasses



### Applications

- Used widely in the food, dairy, and beverage sanitary processes to view products and fluids
- Can be used in industrial applications when you want to CIP and require 316L stainless steel construction

### Sizes

- 1/2" to 6"
- single pin clamp: 1" to 6"; EPDM or FKM gasket
- bolted clamp: 1/2" to 6"; PTFE gasket

### Features

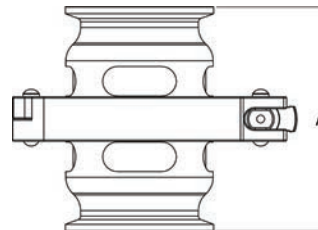
- 3A CIP certified
- Higher pressure range than other sight glasses
- Easy assembly and disassembly
- Rubber seals are I-line gaskets
- Clamp protects glass from getting damaged
- Patent-pending assembly design

### Materials

- Body: 316L stainless steel
- Sight glass: polycarbonate
- Gaskets: PTFE, EPDM, or FKM



Single Pin Clamp



Bolted Clamp

Tube O.D.	A (in)	PSI @ 70°F (21°C)	PSI @ 200°F (94°C)	316L Stainless Steel EPDM Seal Part #	316L Stainless Steel FKM Seal Part #	316L Stainless Steel PTFE Seal Part #
1/2"	3.80	500	300	---	---	HSGP050CCA
3/4"	3.80	500	300	---	---	HSGP075CCA
1"	3.80	500	300	HSGE100CCA	HSGV100CCA	HSGP100CCA
1-1/2"	3.80	450	250	HSGE150CCA	HSGV150CCA	HSGP150CCA
2"	3.80	400	200	HSGE200CCA	HSGV200CCA	HSGP200CCA
2-1/2"	3.80	350	175	HSGE250CCA	HSGV250CCA	HSGP250CCA
3"	3.80	250	125	HSGE300CCA	HSGV300CCA	HSGP300CCA
4"	3.80	80	40	HSGE400CCA	HSGV400CCA	HSGP400CCA
6"	6.00	50	25	HSGE600CCA	HSGV600CCA	HSGP600CCA

### Seal Kits

Tube O.D.	EPDM Seal Kit Part #	FKM Seal Kit Part #	PTFE Seal Kit Part #
1/2"	---	---	HSG-RKP050
3/4"	---	---	HSG-RKP075
1"	HSG-RKE100	HSG-RKV100	HSG-RKP100
1-1/2"	HSG-RKE150	HSG-RKV150	HSG-RKP150
2"	HSG-RKE200	HSG-RKV200	HSG-RKP200
2-1/2"	HSG-RKE250	HSG-RKV250	HSG-RKP250
3"	HSG-RKE300	HSG-RKV300	HSG-RKP300
4"	HSG-RKE400	HSG-RKV400	HSG-RKP400
6"	HSG-RKE600	HSG-RKV600	HSG-RKP600

### Replacement Polycarbonate Sight Inserts

Tube O.D.	Polycarbonate Part #
1/2"	HSG-POLY-050
3/4"	HSG-POLY-075
1"	HSG-POLY-100
1-1/2"	HSG-POLY-150
2"	HSG-POLY-200
2-1/2"	HSG-POLY-250
3"	HSG-POLY-300
4"	HSG-POLY-400
6"	HSG-POLY-600



### SJSS-Series Sanitary Swivels



**Application**

- Used for smooth movement of flow plate connections
- Prevents kinking, twisting and stretching of hose lines

**Sizes**

- 1" - 4"

**Features**

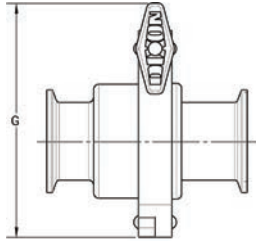
- Dixon wingnut for better grip
- Available in a variety of styles - see below

**Materials**

- Body: 316L stainless steel
- Elastomers: silicone or EPDM

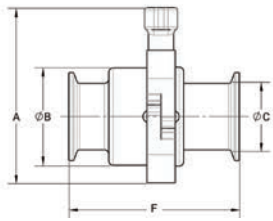
**Approval**

- 3A certified COP



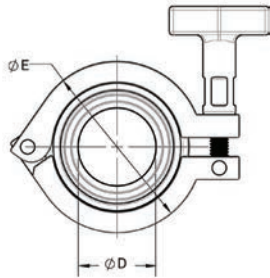
**Straight Clamp - Style 20**

Size	Dimensions			Pressure Rating PSI @ 70°F (21°C)	Pressure Rating PSI @ 250°F (121°C)	Silicone Seals Part #	EPDM Seals Part #
	A (in)	B (in)	C (in)				
1"	2.42	3.87	1.00	500	300	SJSS100SCC120	SJSS100ECC120
1-1/2"	2.99	3.87	1.50	500	300	SJSS150SCC120	SJSS150ECC120
2"	3.48	3.84	2.00	450	250	SJSS200SCC120	SJSS200ECC120
2-1/2"	3.98	3.84	2.50	400	200	SJSS250SCC120	SJSS250ECC120
3"	5.08	3.84	3.00	350	175	SJSS300SCC120	SJSS300ECC120
4"	7.03	4.97	4.00	300	150	SJSS400SCC120	SJSS400ECC120

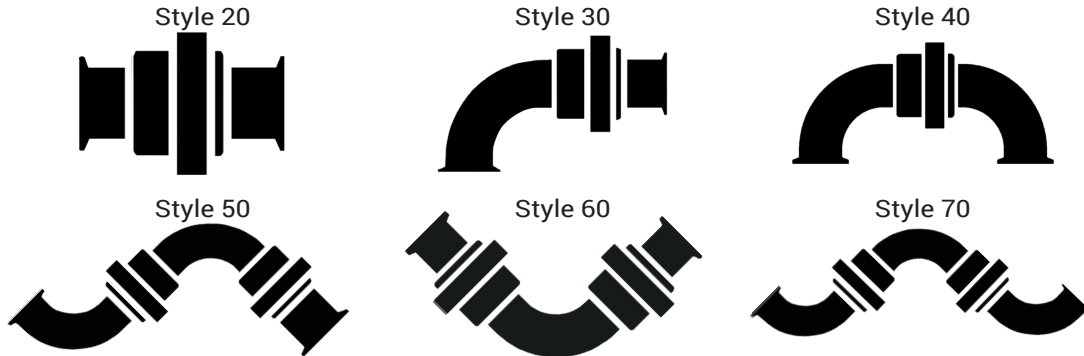


**Straight Weld Connection - Style 20**

Size	Dimensions			Pressure Rating PSI @ 70°F (21°C)	Pressure Rating PSI @ 250°F (121°C)	Silicone Seals Part #	EPDM Seals Part #
	A (in)	B (in)	C (in)				
1"	2.42	2.24	1.00	500	300	SJSS100SBB120	SJSS100EBB120
1-1/2"	2.99	2.24	1.50	500	300	SJSS150SBB120	SJSS150EBB120
2"	3.48	2.22	2.00	450	250	SJSS200SBB120	SJSS200EBB120
2-1/2"	3.98	2.22	2.50	400	200	SJSS250SBB120	SJSS250EBB120
3"	5.08	2.21	3.00	350	175	SJSS300SBB120	SJSS300EBB120
4"	7.03	3.22	4.00	300	150	SJSS400SBB120	SJSS400EBB120



**SJSS-Series Repair Kits**



Size	Contains	Silicone Part #	EPDM Part #
1"		SJSS-REPAR-S100	SJSS-REPAR-E100
1-1/2"	(1x) inner body gasket	SJSS-REPAR-S150	SJSS-REPAR-E150
2"	(1x) outer body gasket	SJSS-REPAR-S200	SJSS-REPAR-E200
2-1/2"	(1x) upper body seat	SJSS-REPAR-S250	SJSS-REPAR-E250
3"	(1x) lower body washer	SJSS-REPAR-S300	SJSS-REPAR-E300
4"	(1x) inner body brushing - only on 4"	SJSS-REPAR-S400	SJSS-REPAR-E400



## FH-SC-Series Sanitary Cartridge Filter Element Housings



**Sizes**

- Port connection: 1" - 4"
- Number of elements: 1, 3, 5, 7, 12, and 21
- Cartridge element lengths: 10", 20", 30", and 40"

**Features**

- Single-cartridge element housings utilize a heavy-duty stainless steel clamp closure for ease of element changes
- Multiple cartridge element housings feature a swing bolt closure to ensure positive sealing and removeable bottom plate providing access for cleaning
- Robust construction assures dependable protection for critical process applications
- Custom OEM designs available
- Large variety of cartridge elements available to meet your application needs

**Materials**

- Product contact: 316L stainless steel
- Non-contact: 304 stainless steel
- 32Ra, O.D. polish; 25Ra I.D. polish
- Silicone O-ring seals standard; FKM and EPDM optional

**Specifications**

- 150 PSI working pressure at 300°F (149°C)
- 1-1/2" clamp vent/gauge connection standard
- 1/2" clamp drain connection standard
- 222 or 226 cartridge elements
- Clamp connections standard; for optional connections call Dixon Sanitary at 800.789.1718.



# of Elements	Element Length (in)	Element Type	Connection Size (in)	Connections Type	Seal Material	Part #
1	10	222	1	clamp	silicone	FH-SC110A10CS
1	20	222	1	clamp	silicone	FH-SC120A10CS
1	30	222	1	clamp	silicone	FH-SC130A10CS
3	30	222	2	clamp	silicone	FH-SC330A20CS
5	30	222	2	clamp	silicone	FH-SC530A20CS
7	30	222	2	clamp	silicone	FH-SC730A20CS
12	30	222	3	clamp	silicone	FH-SC1230A30CS
1	10	226	1	clamp	silicone	FH-SC110B10CS
1	20	226	1	clamp	silicone	FH-SC120B10CS
1	30	226	1	clamp	silicone	FH-SC130B10CS
3	30	226	2	clamp	silicone	FH-SC330B20CS
5	30	226	2	clamp	silicone	FH-SC530B20CS
7	30	226	2	clamp	silicone	FH-SC730B20CS
12	30	226	3	clamp	silicone	FH-SC1230B30CS

NOTE: Filter elements are not included with the filter housings and must be ordered separately.



## DF-MB-Series Melt Blown Cartridge Filters

### Sizes

- Diameters: 2-1/2" (standard) to 4-1/2"
- Cartridge element lengths: 9-3/4" to 50"

### Features

- Made in the USA
- FDA title 21 compliant
- No glue or binders
- Low pressure drop
- 4 zone technology within cartridge allows for high dirt loading
- Available in industry standard end connections
- Multiple efficiency options available
  - Pro - 90% (standard)
  - Deluxe - 95%
  - Elite - 99%
- RO - reverse osmosis applications
- Most combinations are WQA tested and certified to:
  - NSF / ANSI 372
  - NSF / ANSI 61
  - CSA B483.1
  - NSF / ANSI 42 - Component

### Materials

- Cartridge element: polypropylene
- Gasket/O-ring: nitrile rubber, FKM, PTFE, silicone, neoprene, EPDM, and Polyfoam; no selection required for double open-ended (DOE) cartridge elements

### Specifications

- Maximum differential pressure:
  - 40 PSID (2.7 bar) at 155°F (68°C)**
  - 60 PSID (4.1 bar) at 86°F (30°C)**
- Recommended change out differential pressure:
  - with core **35 PSID (2.4 bar)**
  - without core **20 PSID (1.3 bar)**
- Micron ratings: 1, 5, 10, 20, 25, 30, 75, and 100
- Sold in standard case quantities only
  - 10" and under are 30 pcs/case
  - 19-1/2" thru 30" are 15 pcs/case
  - 39" and above are determined at time of quote
  - Custom lengths are determined at time of quote

Micron	Element Length (in)	End Cap	Gasket	Part #
1	10	222/Fin	Silicone	DF-MBS1C2E2S
1	20	222/Fin	Silicone	DF-MBS1E2E2S
1	30	222/Fin	Silicone	DF-MBS1G2E2S
5	10	222/Fin	Silicone	DF-MBS5C2E2S
5	20	222/Fin	Silicone	DF-MBS5E2E2S
5	30	222/Fin	Silicone	DF-MBS5G2E2S
25	10	222/Fin	Silicone	DF-MBS25C2E2S
25	20	222/Fin	Silicone	DF-MBS25E2E2S
25	30	222/Fin	Silicone	DF-MBS25G2E2S
50	10	222/Fin	Silicone	DF-MBS50C2E2S
50	20	222/Fin	Silicone	DF-MBS50E2E2S
50	30	222/Fin	Silicone	DF-MBS50G2E2S
1	10	226/Fin	Silicone	DF-MBS1C2E6S
1	20	226/Fin	Silicone	DF-MBS1E2E6S
1	30	226/Fin	Silicone	DF-MBS1G2E6S
5	10	226/Fin	Silicone	DF-MBS5C2E6S
5	20	226/Fin	Silicone	DF-MBS5E2E6S
5	30	226/Fin	Silicone	DF-MBS5G2E6S
25	10	226/Fin	Silicone	DF-MBS25C2E6S
25	20	226/Fin	Silicone	DF-MBS25E2E6S
25	30	226/Fin	Silicone	DF-MBS25G2E6S
50	10	226/Fin	Silicone	DF-MBS50C2E6S
50	20	226/Fin	Silicone	DF-MBS50E2E6S
50	30	226/Fin	Silicone	DF-MBS50G2E6S

NOTE: Part numbers reflect 2-1/2" diameter, Efficiency Pro, with polypropylene core. For other options, please contact Dixon Sanitary at 800.789.1718

## DF-PES-Series Cartridge Filters



## Sizes

- Diameters: 2.65" O.D.; 1" center I.D.
- Cartridge element lengths: 10" to 40"

## Features

- FDA title 21 compliant
- Cartridge elements are constructed in a clean room environment
- Cartridge elements have excellent dirt holding capacity with low flow resistance
- Cartridge elements are free of surfactants, resins, binders, and adhesives
- Low protein binding and chemical compatibility
- Naturally hydrophilic media does not need wetting before use

## Materials

- Cartridge element: polyethersulfone
- Core material: polypropylene
- Gasket/O-ring: nitrile rubber, FKM, PTFE, silicone, neoprene, and EPDM

## Specifications

- Maximum differential pressure: **45 PSID** (3.1 bar)
- Maximum operating pressure: **45 PSID** (3.1 bar)
- Maximum operating temperature: **175°F (80°C)**
- Micron ratings: .1, .22, .45, .60, .80, 1.2, and 5.0
- Sold in standard case quantities only, all sizes are 6 pcs/case



Micron	Element Length (in)	End Cap	Gasket	Part #
0.22	10	222/Fin	Silicone	DF-PES.22CE2S
0.22	20	222/Fin	Silicone	DF-PES.22EE2S
0.22	30	222/Fin	Silicone	DF-PES.22GE2S
0.45	10	222/Fin	Silicone	DF-PES.45CE2S
0.45	20	222/Fin	Silicone	DF-PES.45EE2S
0.45	30	222/Fin	Silicone	DF-PES.45GE2S
0.22	10	226/Fin	Silicone	DF-PES.22CE6S
0.22	20	226/Fin	Silicone	DF-PES.22EE6S
0.22	30	226/Fin	Silicone	DF-PES.22GE6S
0.45	10	226/Fin	Silicone	DF-PES.45CE6S
0.45	20	226/Fin	Silicone	DF-PES.45EE6S
0.45	30	226/Fin	Silicone	DF-PES.45GE6S

NOTE: Part numbers reflect 2.65" diameter with polypropylene core. For other options, please contact Dixon Sanitary at 800.789.1718

**DF-PHE-Series Pleated High-Efficiency Cartridge Filters**



**Sizes**

- Diameters: 2.65"
- Cartridge element lengths: 9-3/4" to 40"

**Features**

- FDA title 21 compliant
- Cartridge elements are constructed in a clean room environment
- Cartridge elements are free of surfactants, resins, binders, and adhesives

**Materials**

- Cartridge element: polypropylene
- Gasket/O-ring: nitrile rubber, FKM, PTFE, silicone, neoprene, and EPDM

**Specifications**

- Maximum operating pressure: **35 PSID** (2.4 bar)
- Recommended change out differential pressure: **35 PSID** (2.4 bar)
- Maximum operating temperature: **180°F (82°C)**
- Retention rating of 99.98%
- Micron ratings: .2, .45, 1, 3, 5, 10, 25, and 50
- Available in hard cage (standard) or netted cage
- Sold in standard case quantities only, all sizes are 6 pcs/case
- Surface area: up to 5.5 ft squared of effective filtration area per 10", dependent upon micron rating

Micron	Element Length (in)	End Cap	Gasket	Part #
0.22	10	222/Fin	Silicone	DF-PHB.22C1E2S
0.22	20	222/Fin	Silicone	DF-PHB.22E1E2S
0.22	30	222/Fin	Silicone	DF-PHB.22G1E2S
0.45	10	222/Fin	Silicone	DF-PHB.45C1E2S
0.45	20	222/Fin	Silicone	DF-PHB.45E1E2S
0.45	30	222/Fin	Silicone	DF-PHB.45G1E2S
1	10	222/Fin	Silicone	DF-PHB1C1E2S
1	20	222/Fin	Silicone	DF-PHB1E1E2S
1	30	222/Fin	Silicone	DF-PHB1G1E2S
5	10	222/Fin	Silicone	DF-PHB5C1E2S
5	20	222/Fin	Silicone	DF-PHB5E1E2S
5	30	222/Fin	Silicone	DF-PHB5G1E2S
0.22	10	226/Fin	Silicone	DF-PHB.22C1E6S
0.22	20	226/Fin	Silicone	DF-PHB.22E1E6S
0.22	30	226/Fin	Silicone	DF-PHB.22G1E6S
0.45	10	226/Fin	Silicone	DF-PHB.45C1E6S
0.45	20	226/Fin	Silicone	DF-PHB.45E1E6S
0.45	30	226/Fin	Silicone	DF-PHB.45G1E6S
1	10	226/Fin	Silicone	DF-PHB1C1E6S
1	20	226/Fin	Silicone	DF-PHB1E1E6S
1	30	226/Fin	Silicone	DF-PHB1G1E6S
5	10	226/Fin	Silicone	DF-PHB5C1E6S
5	20	226/Fin	Silicone	DF-PHB5E1E6S
5	30	226/Fin	Silicone	DF-PHB5G1E6S

NOTE: Part numbers reflect 99.98% efficiency with hard cage and polypropylene core. For other options, please contact Dixon Sanitary at 800.789.1718

## DF-CB-Series Carbon Block Cartridge Filters



### Sizes

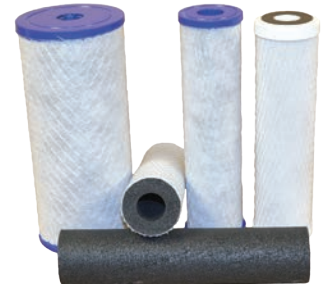
- Diameters: 1.1" I.D., 2-1/2", and 4-1/2" O.D.
- Lengths: 9-3/4" to 40"

### Features

- Made in the USA
- FDA title 21 compliant
- One-piece carbon block construction reduces bypassing
- No GAC by-pass or fluidizing
- Consistent density for controlled flow rates and pressure loss
- Reduce foul odors, chlorine taste and, particulate matter
- Proprietary carbon blend formula

### Materials

- Cartridge element: extruded coconut carbon construction
- End caps: polypropylene and plastisol
- Gasket/O-ring: nitrile rubber, FKM, PTFE, silicone, neoprene, and EPDM
- Cover: polypropylene



### Specifications

- Micron ratings: 1, 3, 5, and 10
- Recommended differential pressure up to **5 PSID (0.3 bar)**
- Maximum operating temperature: **40°F to 125°F (4°C to 52°C)**
- Chlorine and odor reduction capacity at flow: > 6,100 gallons at **1 GPM** based on manufacturer's internal testing
- Internal differential pressure at flow: < 3 PSID at **1 GPM** based on manufacturer's internal testing
- Sold in standard case quantities only
  - 10" are 30 pcs/case
  - 20" and above are 15 pcs/case

Element Length (in)	Micron Rating	Part #
10	1	DF-CB1C11B
	3	DF-CB3C11B
	5	DF-CB5C11B
	10	DF-CB10C11B
20	1	DF-CB1E11B
	3	DF-CB3E11B
	5	DF-CB5E11B
	10	DF-CB10E11B
30	1	DF-CB1G11B
	3	DF-CB3G11B
	5	DF-CB5G11B
	10	DF-CB10G11B
40	1	DF-CB1I11B
	3	DF-CB3I11B
	5	DF-CB5I11B
	10	DF-CB10I11B

NOTE: Part numbers reflect 2-1/2" diameter, DOE (plastisol ends), and nitrile rubber gaskets. For other options, please contact Dixon Sanitary at 800.789.1718..

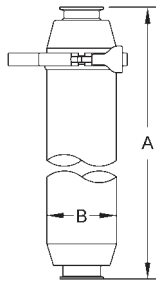


## Strainers

### In-line - BSCCQ



short



#### Feature

- Bevel seat, I-line, and weld ends available, call Dixon Sanitary at 800.789.1718 for information

#### Approval

- Must be vertically mounted to be 3A compliant

#### Short

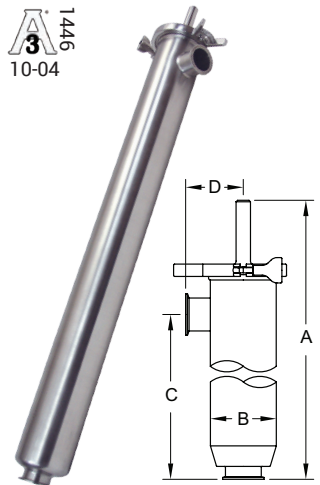
Size	Dimensions		316L Stainless Steel 1/4" Perforations Part #	316L Stainless Steel 1/8" Perforations Part #
	A (in)	B (in)		
1"	15.75	4.00	BSCCQ1-R100	BSCCQ1-R10018
1-1/2"	15.75	4.00	BSCCQ1-R150	BSCCQ1-R15018
2"	15.75	4.00	BSCCQ1-R200	BSCCQ1-R20018
2-1/2"	15.75	4.50	BSCCS1-R250	BSCCQ1-R25018
3"	15.75	4.50	BSCCS1-R300	BSCCQ1-R30018

#### Long

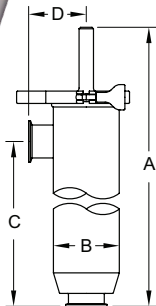
Size	Dimensions		316L Stainless Steel 1/4" Perforations Part #	316L Stainless Steel 1/8" Perforations Part #
	A (in)	B (in)		
1-1/2"	35.375	4.00	BSCCQ2-R150	BSCCQ2-R15018
2"	35.375	4.00	BSCCQ2-R200	BSCCQ2-R20018
3"	35.375	4.50	BSCCS2-R300	BSCCQ2-R30018



### Side-Entry - BSCCQ



long



#### Features

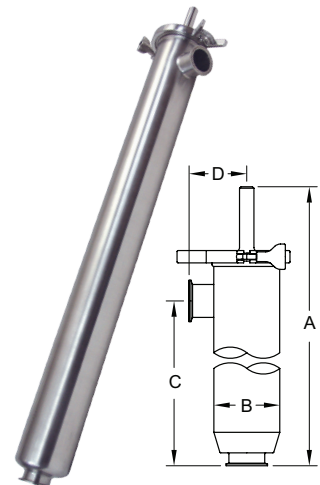
- Can be serviced in-line
- Bevel seat, I-line, and weld ends available; call Dixon for information

#### Approval

- Must be vertically mounted to be 3A compliant

Size	Dimensions				316L Stainless Steel 1/4" Perforations Part #	316L Stainless Steel 1/8" Perforations Part #
	A (in)	B (in)	C (in)	D (in)		
1-1/2"	41.90	4.00	35.00	3.50	BSCCQ3-R150	BSCCQ3-R15018
2"	41.90	4.00	35.00	3.50	BSCCQ3-R200	BSCCQ3-R20018
3"	41.90	4.50	35.00	3.75	BSCCQ3-R300	BSCCQ3-R30018

### Side-Outlet - BSCCQ



#### Features

- Bevel seat, I-line and weld ends available, call Dixon for information
- Can be serviced in-line

#### Approval

- Must be vertically mounted to be 3A compliant

Size	Dimensions				316L Stainless Steel 1/4" Perforations Part #	316L Stainless Steel 1/8" Perforations Part #
	A (in)	B (in)	C (in)	D (in)		
1-1/2"	41.90	4.00	35.00	3.50	BSCCQ4-R150	BSCCQ4-R15018
2"	41.90	4.00	35.00	3.50	BSCCQ4-R200	BSCCQ4-R20018
3"	41.90	4.50	35.00	3.75	BSCCQ4-R300	BSCCQ4-R30018

## Strainers

### Filters

#### Features

- Filter medium are special order and minimum quantities apply, not included with base unit
- Filters require retaining ring

#### Short

Size	Micron Rating	Description	Part #
1" - 2"	38	nonwoven rayon	BF30A-100-200
2-1/2" - 3"	38	nonwoven rayon	BF30A-250-300
1" - 2"	513	woven knapped cotton flannel	BF30B-100-200
2-1/2" - 3"	513	woven knapped cotton flannel	BF30B-250-300
1" - 2"	300	cheese cloth, single thickness cotton	BF30C-100-200
2-1/2" - 3"	300	cheese cloth, single thickness cotton	BF30C-250-300
1" - 2"	765	nylon, rectangular opening, (.025" x .030")	BF30D-100-200
2-1/2" - 3"	765	nylon, rectangular opening, (.025" x .030")	BF30D-250-300
1" - 2"	40-42	nonwoven rayon	BF30E-100-200
2-1/2" - 3"	40-42	nonwoven rayon	BF30E-250-300
1" - 2"	420	woven nylon	BF30G-100-200
2-1/2" - 3"	420	woven nylon	BF30G-250-300

#### Long

Size	Micron Rating	Description	Part #
1" - 2"	40-42	nonwoven rayon	BF302E-100-200
2-1/2" - 3"	40-42	nonwoven rayon	BF302E-250-300
2-1/2" - 3"	420	woven nylon	BF302G-250-300

## Strainers

### 316 Stainless Wire Cloth Mesh Over Screens

**Features**

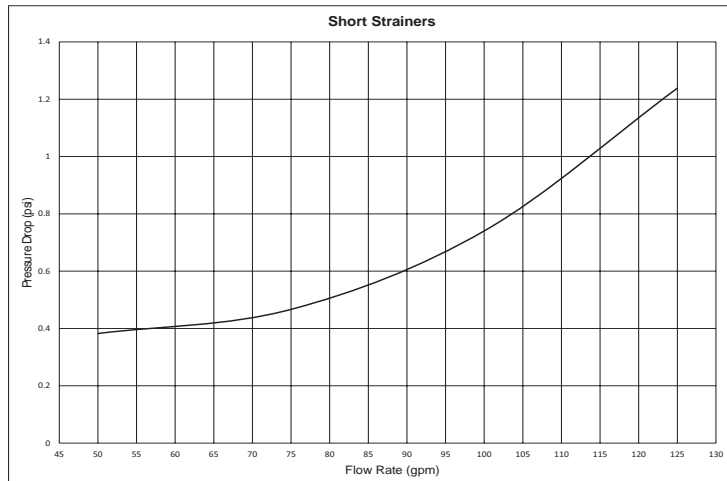
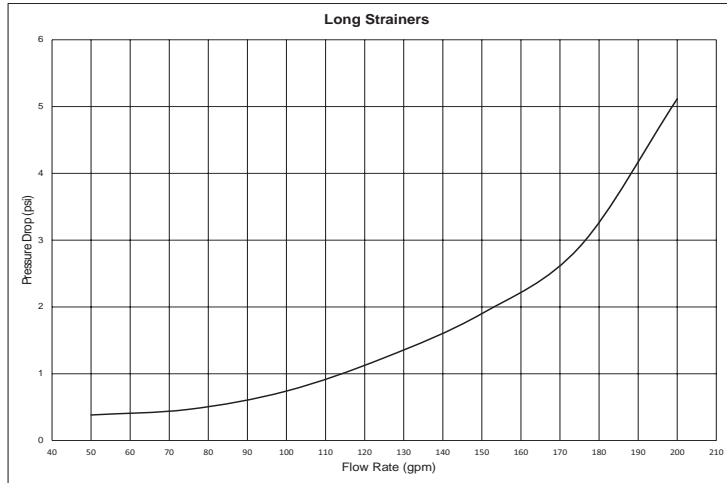
- Not for 3A applications
- Not included with base unit
- Additional sizes are available (five piece minimum) ; call Dixon Sanitary at 800.789.1718

Size	Micron Rating	Square Mesh	Space Between Wires	Percent of Open Area	Short Part #	Long Part #
1" - 2"	864	20	0.034"	46.2	BS20-100-200	BS202-100-200
2-1/2" - 3"					BS20-250-300	BS202-250-300
1" - 2"	381	40	0.015"	36.0	BS40-100-200	BS402-100-200
2-1/2" - 3"					BS40-250-300	BS402-250-300
1" - 2"	229	60	0.009"	30.3	BS60-100-200	BS602-100-200
2-1/2" - 3"					BS60-250-300	BS602-250-300
1" - 2"	178	80	0.007"	31.4	BS80-100-200	BS802-100-200
2-1/2" - 3"					BS80-250-300	BS802-250-300
1" - 2"	140	100	0.006"	30.3	BS100-100-200	BS1002-100-200
2-1/2" - 3"					BS100-250-300	BS1002-250-300

### Pressure Drop Curves for Filter and Strainer

**Specifications**

- Water at ambient temperature:  
 Maximum flow for short units is **125 GPM**  
 Maximum flow for long units is **175 GPM**





## DX60-Series Hygienic Tanker Valves

### Applications

- Used on food-grade stainless steel bulk transport trailers to safely and hygienically load and unload various products including milk, juices, chocolate, glycerin, and many types of food-grade oils

### Size

- 3"

### Features

- Valve housing machined from solid bar
- Hygienic single-acting wiper seal improves cleanability and durability
- Easy-lock plunger for locking valve in open position
- Patented closure system to eliminate the pinch point
- Bonnet design uses standard sanitary clamp for easy removal

### Materials

- Product contact material: 304 stainless steel
- Seals: FKM or nitrile rubber
- Cover: aluminum

### Specifications

- Holding pressure: **75 PSI**
- Surface I.D. finish: <32Ra
- Connections: flange x male threaded bevel
- Temperature range: **-20°F to 212°F (-28.9°C to 100°C)**

### Approval

- 3A-Authorization Number 1655, 53-07 (Compression-Type Valves) for CIP and COP



Size	Cover Style	Part #
3"	with aluminum cover	DX603010A1GV1
	without aluminum cover	DX603010A1GV2

For other configurations, contact Dixon Sanitary at 800.789.1718

**BV2C and BV2N-Series - 2 Way, 3-Piece Sanitary Ball Valve**



1/2" to 2"



2-1/2" to 4"

**Features**

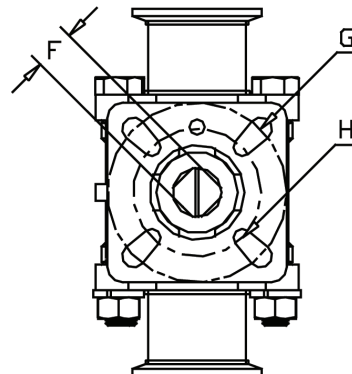
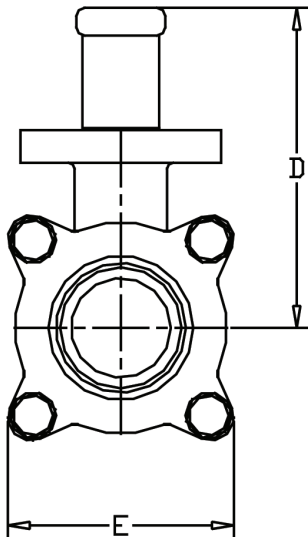
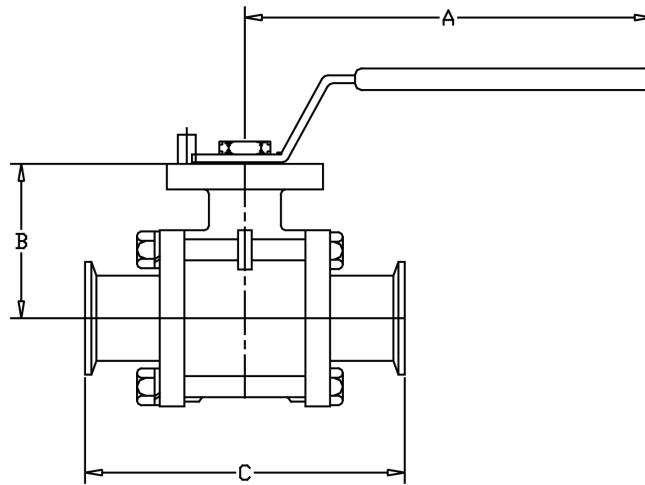
- Live-loaded stem packing
- Precision stainless steel balls reduce torque and friction losses while extending seat life
- Integral ISO 5211 mounting pad
- I.D. polish is 32 Ra maximum
- Lockable handle can prevent accidental actuation
- Standard internal entry blowout-proof stem design
- Full port design matches ball and seat ports to tube I.D. for lower pressure drop and less turbulent flow
- Compact design for areas with tight space restrictions
- Identification tagging available
- Balanced construction minimizes cold flow

**Materials**

- Product contact material: CF8M stainless steel
- Seats: virgin PTFE, 15% glass reinforced PTFE (RTFE), 25% carbon reinforced PTFE, 50% stainless steel reinforced PTFE, and UHMW

**Specifications**

- Maximum pressure rating: 1/2" - 2" **1000 PSI WOG**, 2-1/2" - 4" **800 PSI WOG**
- For valve seat options, call Dixon Sanitary at 800.789.1718



**BV2N-Series - 2-Way, 3-Piece Sanitary Non-Encapsulated Ball Valve**

Size	Dimensions							
	A (in)	B (in)	C (in)	D (in)	E (in)	F (mm)	G (mm)	H (mm)
1/2"	4.9	1.5	4.3	3.1	2.0	9	42	36
3/4"	4.9	1.8	4.7	3.4	2.2	9	42	36
1"	5.4	2.1	4.9	3.6	2.4	11	50	42
1-1/2"	9.3	2.7	5.6	4.4	3.2	14	70	50
2"	9.3	3.1	6.4	4.7	3.8	14	70	50
2-1/2"	18.0	3.8	7.8	5.2	4.9	17	102	70
3"	18.3	4.2	9.0	5.7	5.4	17	102	70
4"	18.3	5.3	9.6	6.9	8.7	22	125	102

Size	Non-Encapsulated				
	316 Stainless Steel Virgin PTFE Part #	316 Stainless Steel RTFE Part #	316 Stainless Steel 25% Carbon PTFE Part #	316 Stainless Steel 50% SS PTFE Part #	316 Stainless Steel with UHMW Part #
1/2"	BV2NV-050CC-A	BV2NG-050CC-A	BV2NC-050CC-A	BV2NS-050CC-A	BV2NU-050CC-A
3/4"	BV2NV-075CC-A	BV2NG-075CC-A	BV2NC-075CC-A	BV2NS-075CC-A	BV2NU-075CC-A
1"	BV2NV-100CC-A	BV2NG-100CC-A	BV2NC-100CC-A	BV2NS-100CC-A	BV2NU-100CC-A
1-1/2"	BV2NV-150CC-A	BV2NG-150CC-A	BV2NC-150CC-A	BV2NS-150CC-A	BV2NU-150CC-A
2"	BV2NV-200CC-A	BV2NG-200CC-A	BV2NC-200CC-A	BV2NS-200CC-A	BV2NU-200CC-A
2-1/2"	BV2NV-250CC-A	BV2NG-250CC-A	BV2NC-250CC-A	BV2NS-250CC-A	BV2NU-250CC-A
3"	BV2NV-300CC-A	BV2NG-300CC-A	BV2NC-300CC-A	BV2NS-300CC-A	BV2NU-300CC-A
4"	BV2NV-400CC-A	BV2NG-400CC-A	BV2NC-400CC-A	BV2NS-400CC-A	BV2NU-400CC-A

**BV2C-Series - 2-Way, 3-Piece Sanitary Encapsulated Ball Valve**

Size	Dimensions							
	A (in)	B (in)	C (in)	D (in)	E (in)	F (mm)	G (mm)	H (mm)
1/2"	4.9	1.5	4.3	3.1	2.0	9	42	36
3/4"	4.9	1.8	4.7	3.4	2.2	9	42	36
1"	5.4	2.1	4.9	3.6	2.4	11	50	42
1-1/2"	9.3	2.7	5.6	4.4	3.2	14	70	50
2"	9.3	3.1	6.4	4.7	3.8	14	70	50
2-1/2"	18.0	3.8	7.8	5.2	4.9	17	102	70
3"	18.3	4.2	9.0	5.7	5.4	17	102	70
4"	18.3	5.3	9.6	6.9	8.7	22	125	102

Size	Encapsulated				
	316 Stainless Steel Virgin PTFE Part #	316 Stainless Steel RTFE Part #	316 Stainless Steel 25% Carbon PTFE Part #	316 Stainless Steel 50% SS PTFE Part #	316 Stainless Steel with UHMW Part #
1/2"	BV2CV-050CC-A	BV2CG-050CC-A	BV2CC-050CC-A	BV2CS-050CC-A	BV2CU-050CC-A
3/4"	BV2CV-075CC-A	BV2CG-075CC-A	BV2CC-075CC-A	BV2CS-075CC-A	BV2CU-075CC-A
1"	BV2CV-100CC-A	BV2CG-100CC-A	BV2CC-100CC-A	BV2CS-100CC-A	BV2CU-100CC-A
1-1/2"	BV2CV-150CC-A	BV2CG-150CC-A	BV2CC-150CC-A	BV2CS-150CC-A	BV2CU-150CC-A
2"	BV2CV-200CC-A	BV2CG-200CC-A	BV2CC-200CC-A	BV2CS-200CC-A	BV2CU-200CC-A
2-1/2"	BV2CV-250CC-A	BV2CG-250CC-A	BV2CC-250CC-A	BV2CS-250CC-A	BV2CU-250CC-A
3"	BV2CV-300CC-A	BV2CG-300CC-A	BV2CC-300CC-A	BV2CS-300CC-A	BV2CU-300CC-A
4"	BV2CV-400CC-A	BV2CG-400CC-A	BV2CC-400CC-A	BV2CS-400CC-A	BV2CU-400CC-A

**BV2GG-Series - Non-Encapsulated 2-Way, 3-Piece Sanitary Ball Valve**

**Features**

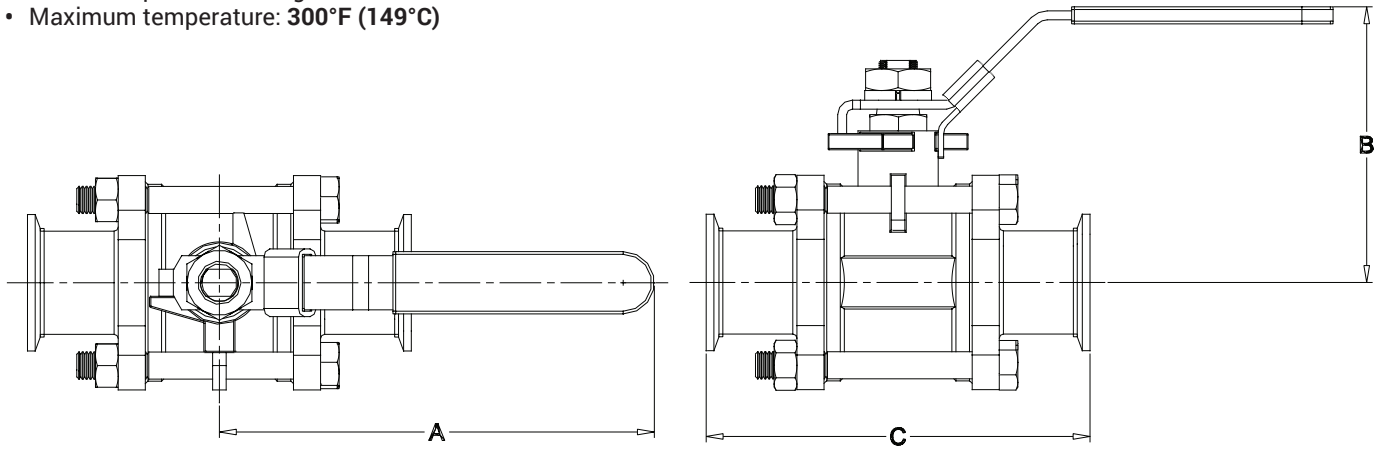
- Blowout-proof stem
- Live-loaded stem packing
- I.D. polish is 32 Ra maximum
- Lockable handle
- No ISO 5211 mounting pad

**Materials**

- Product contact material: CF8M stainless steel
- Seats: 15% glass reinforced PTFE (RTFE)

**Specifications**

- Maximum pressure rating: 1/2" - 2" **1000 PSI WOG**, 2-1/2" - 4" **800 PSI WOG**
- Maximum temperature: **300°F (149°C)**



Size	Dimensions			316 Stainless Steel Part #
	A (in)	B (in)	C (in)	
1/2"	4.1	2.3	4.6	BV2GG-050CC-A
3/4"	4.1	2.5	4.7	BV2GG-075CC-A
1"	5.0	2.8	4.9	BV2GG-100CC-A
1-1/2"	6.1	3.5	5.6	BV2GG-150CC-A
2"	7.6	3.9	6.4	BV2GG-200CC-A
2-1/2"	7.6	4.4	7.8	BV2GG-250CC-A
3"	10.9	4.9	9.0	BV2GG-300CC-A
4"	13.2	6.6	9.6	BV2GG-400CC-A

Size	RTFE Repair Kit Part #
1/2"	BV-2G-GK050
3/4"	BV-2G-GK075
1"	BV-2G-GK100
1-1/2"	BV-2G-GK150
2"	BV-2G-GK200
2-1/2"	BV-2G-GK250
3"	BV-2G-GK300
4"	BV-2G-GK400

NOTE: Repair kit contains (2) seats, (2) body seals, (1) thrust washer, and (3) stem packing

NOTE: Dimensions are approximate. Engineering dimensions are available upon request. Specifications are subject to change without notice.

## B5107-Series - Butterfly Valves

### Features

- Robust disc stem
- Bi-directional flow
- Self lubricating seal
- Silicone and EPDM for valve sizes 1/2" to 4" have USP VI certification
- 100% hydraulic tested / inspected
- Various actuation options available

### Materials

- Product contact material: 316L stainless steel
- Seat: EPDM, FKM, and silicone

### Specifications

- Vacuum rating: 0.4 inches Hg at 68°F (20°C)
- Operating temperature range: 15°F to 200°F (-9°C to 93°C)

### Repair Kits for B5107-Series Butterfly Valves

#### Features

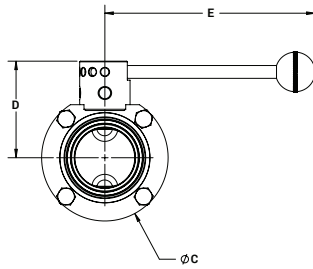
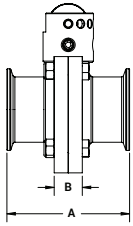
- Repair kit contains:
  - (1) seat
  - (2) bushings
- For B5107-Series valves, also compatible with B5101-Series valves



Valve Size	Black EPDM Part #	Red Silicone Part #	Brown FKM Part #
1/2" - 1"	B5107-RKE100	B5107-RKS100	B5107-RKV100
1-1/2"	B5107-RKE150	B5107-RKS150	B5107-RKV150
2"	B5107-RKE200	B5107-RKS200	B5107-RKV200
2-1/2"	B5107-RKE250	B5107-RKS250	B5107-RKV250
3"	B5107-RKE300	B5107-RKS300	B5107-RKV300
4"	B5107-RKE400	B5107-RKS400	B5107-RKV400
6"	B5107-RKE600	B5107-RKS600	---
8"	B5107-RKE800	B5107-RKS800	---

### B5107-Series - Butterfly Valves

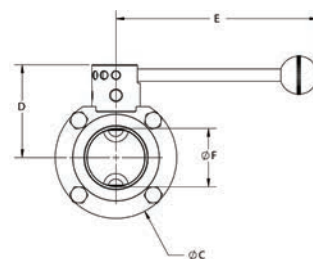
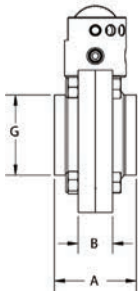
#### Clamp End with Pull Handle - [A]



Size	316L Stainless Steel with Silicone Seats Part #	316L Stainless Steel with FKM Seats Part #	316L Stainless Steel with EPDM Seats Part #
1/2"	B5107S050CC-A	B5107V050CC-A	B5107E050CC-A
3/4"	B5107S075CC-A	B5107V075CC-A	B5107E075CC-A
1"	B5107S100CC-A	B5107V100CC-A	B5107E100CC-A
1-1/2"	B5107S150CC-A	B5107V150CC-A	B5107E150CC-A
2"	B5107S200CC-A	B5107V200CC-A	B5107E200CC-A
2-1/2"	B5107S250CC-A	B5107V250CC-A	B5107E250CC-A
3"	B5107S300CC-A	B5107V300CC-A	B5107E300CC-A
4"	B5107S400CC-A	B5107V400CC-A	B5107E400CC-A
6"	B5107S600CC-A	---	B5107E600CC-A
8"	B5107S800CC-A	---	B5107E800CC-A

Size	Dimensions				
	A (in)	B (in)	C (in)	D (in)	E (in)
1/2"	3.50	.90	3.10	2.60	4.60
3/4"	3.50	.90	3.10	2.60	4.60
1"	3.50	.90	3.10	2.60	4.60
1-1/2"	3.50	.90	3.10	2.60	4.60
2"	3.80	.90	3.90	3.00	4.60
2-1/2"	3.80	.90	4.60	3.40	4.60
3"	4.10	1.20	5.20	3.50	6.50
4"	4.80	1.20	6.70	4.30	6.50
6"	5.50	1.20	8.50	5.60	11.70
8"	5.00	1.20	11.20	7.80	18.10

#### Weld End with Pull Handle - [A]



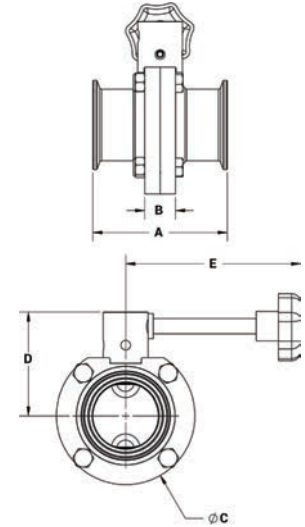
Size	316L Stainless Steel with Silicone Seats Part #	316L Stainless Steel with FKM Seats Part #	316L Stainless Steel with EPDM Seats Part #
1/2"	B5107S050BB-A	B5107V050BB-A	B5107E050BB-A
3/4"	B5107S075BB-A	B5107V075BB-A	B5107E075BB-A
1"	B5107S100BB-A	B5107V100BB-A	B5107E100BB-A
1-1/2"	B5107S150BB-A	B5107V150BB-A	B5107E150BB-A
2"	B5107S200BB-A	B5107V200BB-A	B5107E200BB-A
2-1/2"	B5107S250BB-A	B5107V250BB-A	B5107E250BB-A
3"	B5107S300BB-A	B5107V300BB-A	B5107E300BB-A
4"	B5107S400BB-A	B5107V400BB-A	B5107E400BB-A
6"	B5107S600BB-A	---	B5107E600BB-A
8"	B5107S800BB-A	---	B5107E800BB-A

Size	Dimensions						
	A (in)	B (in)	C (in)	D (in)	E (in)	F (in)	G (in)
1/2"	1.87	0.90	3.10	2.60	4.60	0.37	0.50
3/4"	1.87	0.90	3.10	2.60	4.60	0.62	0.75
1"	1.87	0.90	3.10	2.60	4.60	0.87	1.00
1.5"	1.87	0.90	3.10	2.60	4.60	1.37	1.50
2"	2.06	0.90	3.90	3.00	4.60	1.87	2.00
2.5"	2.12	0.90	4.60	3.40	4.60	2.37	2.50
3"	2.50	1.20	5.20	3.50	6.50	2.87	3.00
4"	3.18	1.20	6.70	4.30	6.50	3.83	4.00
6"	3.83	1.20	8.50	5.60	11.70	5.78	6.00
8"	4.97	1.20	11.20	7.80	18.10	7.78	8.00

### B5107-Series Butterfly Valves

#### Clamp End with Infinite Position Handle - [B]

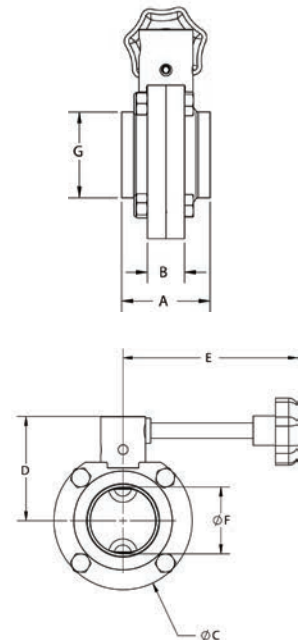
Size	316L Stainless Steel with Silicone Seats Part #	316L Stainless Steel with FKM Seats Part #	316L Stainless Steel with EPDM Seats Part #
1/2"	B5107S050CC-B	B5107V050CC-B	B5107E050CC-B
3/4"	B5107S075CC-B	B5107V075CC-B	B5107E075CC-B
1"	B5107S100CC-B	B5107V100CC-B	B5107E100CC-B
1-1/2"	B5107S150CC-B	B5107V150CC-B	B5107E150CC-B
2"	B5107S200CC-B	B5107V200CC-B	B5107E200CC-B
2-1/2"	B5107S250CC-B	B5107V250CC-B	B5107E250CC-B
3"	B5107S300CC-B	B5107V300CC-B	B5107E300CC-B
4"	B5107S400CC-B	B5107V400CC-B	B5107E400CC-B



Size	Dimensions				
	A (in)	B (in)	C (in)	D (in)	E (in)
1/2"	3.50	.90	3.10	2.60	4.90
3/4"	3.50	.90	3.10	2.60	4.90
1"	3.50	.90	3.10	2.60	4.90
1-1/2"	3.50	.90	3.10	2.60	4.90
2"	3.80	.90	3.90	3.00	4.90
2-1/2"	3.80	.90	4.60	3.40	4.90
3"	4.10	1.20	5.20	3.50	6.60
4"	4.80	1.20	6.70	4.30	6.60

#### Weld End with Infinite Position Handle - [B]

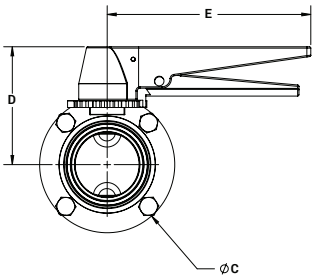
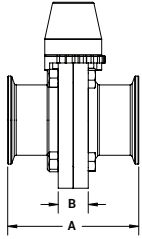
Size	316L Stainless Steel with Silicone Seats Part #	316L Stainless Steel with FKM Seats Part #	316L Stainless Steel with EPDM Seats Part #
1/2"	B5107S050BB-B	B5107V050BB-B	B5107E050BB-B
3/4"	B5107S075BB-B	B5107V075BB-B	B5107E075BB-B
1"	B5107S100BB-B	B5107V100BB-B	B5107E100BB-B
1-1/2"	B5107S150BB-B	B5107V150BB-B	B5107E150BB-B
2"	B5107S200BB-B	B5107V200BB-B	B5107E200BB-B
2-1/2"	B5107S250BB-B	B5107V250BB-B	B5107E250BB-B
3"	B5107S300BB-B	B5107V300BB-B	B5107E300BB-B
4"	B5107S400BB-B	B5107V400BB-B	B5107E400BB-B



Size	Dimensions						
	A (in)	B (in)	C (in)	D (in)	E (in)	F (in)	G (in)
1/2"	1.87	0.90	3.10	2.60	4.90	0.37	0.50
3/4"	1.87	0.90	3.10	2.60	4.90	0.62	0.75
1"	1.87	0.90	3.10	2.60	4.90	0.87	1.00
1-1/2"	1.87	0.90	3.10	2.60	4.90	1.37	1.50
2"	2.06	0.90	3.90	3.00	4.90	1.87	2.00
2-1/2"	2.12	0.90	4.60	3.40	4.90	2.37	2.50
3"	2.50	1.20	5.20	3.50	6.60	2.87	3.00
4"	3.18	1.20	6.70	4.30	6.60	3.83	4.00

### B5107-Series - Butterfly Valves

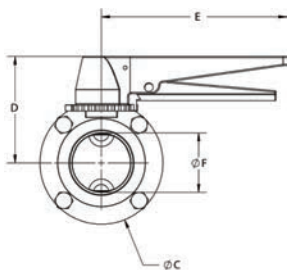
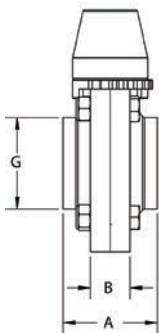
#### Clamp End with Trigger Handle - [C]



Size	316L Stainless Steel with Silicone Seats Part #	316L Stainless Steel with FKM Seats Part #	316L Stainless Steel with EPDM Seats Part #
1/2"	B5107S050CC-C	B5107V050CC-C	B5107E050CC-C
3/4"	B5107S075CC-C	B5107V075CC-C	B5107E075CC-C
1"	B5107S100CC-C	B5107V100CC-C	B5107E100CC-C
1-1/2"	B5107S150CC-C	B5107V150CC-C	B5107E150CC-C
2"	B5107S200CC-C	B5107V200CC-C	B5107E200CC-C
2-1/2"	B5107S250CC-C	B5107V250CC-C	B5107E250CC-C
3"	B5107S300CC-C	B5107V300CC-C	B5107E300CC-C
4"	B5107S400CC-C	B5107V400CC-C	B5107E400CC-C

Size	Dimensions				
	A (in)	B (in)	C (in)	D (in)	E (in)
1/2"	3.50	.90	3.10	2.60	5.90
3/4"	3.50	.90	3.10	2.60	5.90
1"	3.50	.90	3.10	2.60	5.90
1-1/2"	3.50	.90	3.10	2.60	5.90
2"	3.80	.90	3.90	3.00	5.90
2-1/2"	3.80	.90	4.60	3.40	5.90
3"	4.10	1.20	5.20	3.50	5.90
4"	4.80	1.20	6.70	4.30	5.90

#### Weld End with Trigger Handle - [C]



Size	316L Stainless Steel with Silicone Seats Part #	316L Stainless Steel with FKM Seats Part #	316L Stainless Steel with EPDM Seats Part #
1/2"	B5107S050BB-C	B5107V050BB-C	B5107E050BB-C
3/4"	B5107S075BB-C	B5107V075BB-C	B5107E075BB-C
1"	B5107S100BB-C	B5107V100BB-C	B5107E100BB-C
1-1/2"	B5107S150BB-C	B5107V150BB-C	B5107E150BB-C
2"	B5107S200BB-C	B5107V200BB-C	B5107E200BB-C
2-1/2"	B5107S250BB-C	B5107V250BB-C	B5107E250BB-C
3"	B5107S300BB-C	B5107V300BB-C	B5107E300BB-C
4"	B5107S400BB-C	B5107V400BB-C	B5107E400BB-C

Size	Dimensions						
	A (in)	B (in)	C (in)	D (in)	E (in)	E (in)	E (in)
1/2"	1.87	0.90	3.10	2.60	5.90	0.37	0.50
3/4"	1.87	0.90	3.10	2.60	5.90	0.62	0.75
1"	1.87	0.90	3.10	2.60	5.90	0.87	1.00
1-1/2"	1.87	0.90	3.10	2.60	5.90	1.37	1.50
2"	2.06	0.90	3.90	3.00	5.90	1.87	2.00
2-1/2"	2.12	0.90	4.60	3.40	5.90	2.37	2.50
3"	2.50	1.20	5.20	3.50	5.90	2.87	3.00
4"	3.18	1.20	6.70	4.30	5.90	3.83	4.00



## B5102-Series - Butterfly Valves Clamp

**Features**

- All sizes use only 3/4" of line space
- The grooved clamp housing connects directly to the corresponding sanitary clamp size
- PTFE valve disc bushings reduce friction and increase cycle life
- 3-position reversible handle
- 100% tested / 100% inspected
- Can be serviced in field (no special tools required)
- Various actuation options available

**Materials**

- Product contact material: 316L stainless steel
- Seat: silicone, EPDM, FKM

**Specifications**

- Vacuum rating: 0.4 inches Hg @ 68°F (20°C)
- Operating temperature range: 15°F to 200°F (-9°C to 93°C)

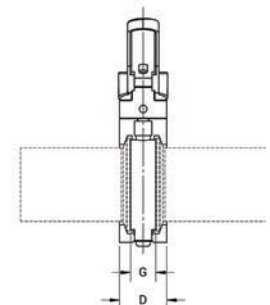
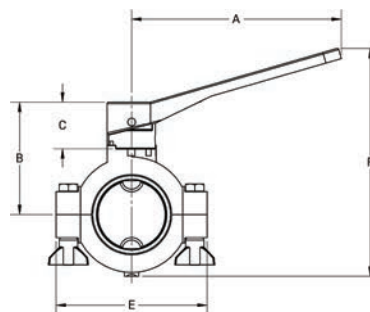
Information supplied based on water media @ 68°F (20°C)

Size	Break Torque (in. lbs.)	Assembly Torque (in. lbs.)	Pressure Rating (PSI)	Flow Coefficient (C <sub>v</sub> )	Weight w/standard handle (lbs.)
1"	125	36	140	23	1.5
1-1/2"	185	36	140	80	2
2"	200	21.6	120	230	2.5
2-1/2"	260	21.6	120	264	3
3"	350	28.8	100	372	4
4"	495	43.2	70	800	6

Size	316L Stainless Steel with Silicone Seats Part #	316L Stainless Steel with FKM Seats Part #	316L Stainless Steel with EPDM Seats Part #
1"	B5102S100-A	B5102V100-A	B5102E100-A
1-1/2"	B5102S150-A	B5102V150-A	B5102E150-A
2"	B5102S200-A	B5102V200-A	B5102E200-A
2-1/2"	B5102S250-A	B5102V250-A	B5102E250-A
3"	B5102S300-A	B5102V300-A	B5102E300-A
4"	B5102S400-A	B5102V400-A	B5102E400-A



Size	Dimensions					
	A (in)	B (in)	C (in)	D (in)	E (in)	F (in)
1"	5.6	2.8	1.3	1.3	3.6	5.6
1-1/2"	5.6	2.8	1.3	1.3	3.6	5.6
2"	5.6	3.0	1.3	1.3	4.1	6.1
2-1/2"	5.6	3.3	1.3	1.3	4.6	6.6
3"	5.6	3.6	1.3	1.3	5.3	7.1
4"	5.6	4.1	1.3	1.3	6.4	8.2



### Repair Kits for B5102-Series Butterfly Valves

**Feature**

- Repair kit contains  
(1) seat  
(2) bushings

Valve Size	Black EPDM Part #	Red Silicone Part #	Brown FKM Part #
1"	B5102-RKE100	B5102-RKS100	B5102-RKV100
1-1/2"	B5102-RKE150	B5102-RKS150	B5102-RKV150
2"	B5102-RKE200	B5102-RKS200	B5102-RKV200
2-1/2"	B5102-RKE250	B5102-RKS250	B5102-RKV250
3"	B5102-RKE300	B5102-RKS300	B5102-RKV300
4"	B5102-RKE400	B5102-RKS400	B5102-RKV400



## B5116-Series - Butterfly Valves

### Features

- Manual operation only
- Can be serviced in field
- Blue trigger handle

### Materials

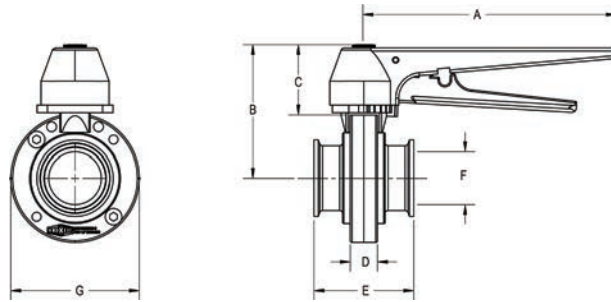
- Product contact material : 304 stainless steel
- Elastomer: EPDM, silicone

### Specifications

- Operating temperature range: 15°F to 200°F (-9°C to 93°C)
- Maximum operating pressure: 110 PSI
- Internal product contact surface finish  $\leq 32$  Ra

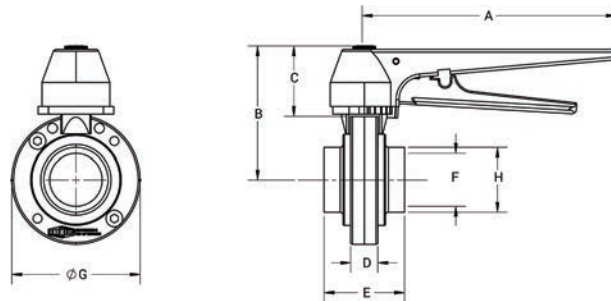


Clamp End with Trigger Handle



Size	Dimensions							304 Stainless Steel with Silicone	304 Stainless Steel with EPDM
	A (in)	B (in)	C (in)	D (in)	E (in)	F (in)	G (in)	Part #	Part #
1-1/2"	6.60	3.60	1.70	0.71	2.60	1.37	3.35	B5116S150CC-C	B5116E150CC-C
2"	6.60	4.00	1.70	0.71	2.76	1.87	4.13	B5116S200CC-C	B5116E200CC-C
3"	6.60	4.40	1.70	0.71	2.99	2.87	4.92	B5116S300CC-C	B5116E300CC-C
4"	6.60	5.00	1.70	0.71	2.99	3.84	6.18	B5116S400CC-C	B5116E400CC-C

Weld End with Trigger Handle



Size	Dimensions								304 Stainless Steel with Silicone	304 Stainless Steel with EPDM
	A (in)	B (in)	C (in)	D (in)	E (in)	F (in)	G (in)	H (in)	Part #	Part #
1-1/2"	6.60	3.60	1.70	0.71	2.99	1.37	3.35	1.50	B5116S150BB-C	B5116E150BB-C
2"	6.60	4.00	1.70	0.71	3.15	1.87	4.13	2.00	B5116S200BB-C	B5116E200BB-C
3"	6.60	4.40	1.70	0.71	3.23	2.87	4.92	3.00	B5116S300BB-C	B5116E300BB-C
4"	6.60	5.00	1.70	0.71	3.46	3.84	6.18	4.00	B5116S400BB-C	B5116E400BB-C

### Replacement Seats

Size	Silicone Part #	EPDM Part #
1-1/2"	B5116-RKS150	B5116-RKE150
2"	B5116-RKS200	B5116-RKE200
3"	B5116-RKS300	B5116-RKE300
4"	B5116-RKS400	B5116-RKE400

NOTE: Repair kit contains: (1) seat

## HSC and EHSC-Series Spring Check Valve



**Features**

- Single-piece upper body spider design
- Standard O-ring and gasket seal design
- Can be serviced in field (no special tools required)
- Internal product contact surface finish  $\leq 32$  Ra
- Suitable for low and medium viscosity fluids
- Connection: clamp (standard), others available upon request
- HSC drainable for vertical applications only, EHSC drainable for horizontal applications



Size	Pressure Rating	Cracking Pressure (PSI)	Operating Temperature	HSC EPDM 316L Stainless Steel Part #	HSC FKM 316L Stainless Steel Part #	EHSC EPDM 316L Stainless Steel Part #	EHSC FKM 316L Stainless Steel Part #
1/2"	145 PSI	10.0	15°F to 200°F (-9°C to 93°C)	HSCE050	HSCV050	EHSCE050	EHSCV050
3/4"		4.0		HSCE075	HSCV075	EHSCE075	EHSCV075
1"		2.5		HSCE100	HSCV100	EHSCE100	EHSCV100
1-1/2"		1.0		HSCE150	HSCV150	EHSCE150	EHSCV150
2"		1.5		HSCE200	HSCV200	EHSCE200	EHSCV200
2-1/2"		0.8		HSCE250	HSCV250	EHSCE250	EHSCV250
3"		0.5		HSCE300	HSCV300	EHSCE300	EHSCV300
4"		0.4		HSCE400	HSCV400	EHSCE400	EHSCV400

**Repair Kits**

Size	HSC FKM Part #	HSC EPDM Part #	EHSC FKM Part #	EHSC EPDM Part #
1/2"	HSC-RKV050	HSC-RKE050	EHSC-RKV050	EHSC-RKE050
3/4"	HSC-RKV075	HSC-RKE075	EHSC-RKV075	EHSC-RKE075
1"	HSC-RKV100	HSC-RKE100	EHSC-RKV100	EHSC-RKE100
1-1/2"	HSC-RKV150	HSC-RKE150	EHSC-RKV150	EHSC-RKE150
2"	HSC-RKV200	HSC-RKE200	EHSC-RKV200	EHSC-RKE200
2-1/2"	HSC-RKV250	HSC-RKE250	EHSC-RKV250	EHSC-RKE250
3"	HSC-RKV300	HSC-RKE300	EHSC-RKV300	EHSC-RKE300
4"	HSC-RKV400	HSC-RKE400	EHSC-RKV400	EHSC-RKE400

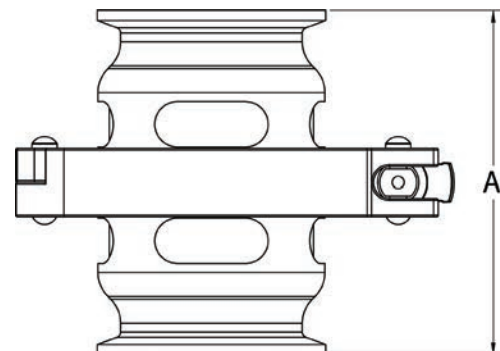
1/2"-3/4" repair kit contains:  
 (1) body gasket  
 (1) plunger O-ring  
 (1) spider O-ring

1"-4" repair kit contains:  
 (1) body gasket  
 (1) plunger O-ring

1" EHSC repair kit contains:  
 (2) body gaskets  
 (1) plunger O-ring

**Dimensions**

Size	HSC A (in)	EHSC A (in)
1/2"	2.70	3.10
3/4"	2.70	3.10
1"	3.30	4.00
1-1/2"	3.40	3.60
2"	3.40	4.10
2-1/2"	3.40	4.00
3"	3.40	4.00
4"	4.10	4.70





## HYC-Series Y - Ball Check Valve

### Features

- Two-piece construction
- Replaceable seat
- Can be serviced in field (no special tools required)

### Materials

- Product contains materials:
  - Steel - 316L stainless steel
  - Elastomer - EPDM, FKM
  - Other - PTFE ball

### Specifications

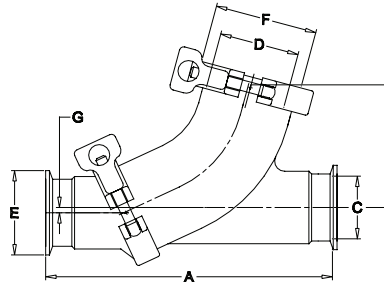
- Operating temperature range: 15°F to 200°F (-9°C to 93°C)
- Maximum operating pressure: 150 PSI
- Internal product contact surface finish  $\leq 32Ra$



Size	316L Stainless Steel with EPDM Part #	316L Stainless Steel with FKM Part #
1-1/2"	HYCEP150CCAA	HYCVP150CCAA
2"	HYCEP200CCAA	HYCVP200CCAA
2-1/2"	HYCEP250CCAA	HYCVP250CCAA
3"	HYCEP300CCAA	HYCVP300CCAA

For other configurations, contact Dixon Sanitary at 800.789.1718

### Dimensions



Valve Size	Clamp & Cap Size	A (in)	B (in)	C (in)	D (in)	E (in)	F (in)	G (in)	Ball Diameter (in)	Weight (lbs)
1-1/2"	2"	7.50	3.30	1.36	1.87	1.98	2.51	.16	1.6	4.9
2"	2-1/2"	8.50	3.90	1.86	2.33	2.51	3.04	.16	2.1	6.6
2-1/2"	3"	10.00	4.50	2.37	2.87	3.04	3.57	.16	2.7	10.5
3"	4"	11.50	5.30	2.87	3.83	3.57	4.68	.16	3.6	17.5

All dimensions are approximate. Engineering dimensions are available upon request. Specifications are subject to change without notice.

### Repair and Seal Kits

Repair kit contains:

- (1) EPDM cap gasket
- (1) PTFE ball
- (1) EPDM/CF8M seat

Seal kit contains:

- (1) EPDM cap gasket
- (1) EPDM/CF8M seat

FKM seal kit contains:

- (1) FKM cap gasket
- (1) FKM /CF8M seat

Size	EPDM/PTFE Repair Kit Part #	FKM/PTFE Repair Kit Part #	EPDM Seal Kit Part #	FKM Seal Kit Part #	Replacement Ball Only Part #
1-1/2"	HYC-RKE150	HYC-RKV150	HYC-SKE150	HYC-SKV150	HYC-TB150
2"	HYC-RKE200	HYC-RKV200	HYC-SKE200	HYC-SKV200	HYC-TB200
2-1/2"	HYC-RKE250	HYC-RKV250	HYC-SKE250	HYC-SKV250	HYC-TB250
3"	HYC-RKE300	HYC-RKV300	HYC-SKE300	HYC-SKV300	HYC-TB300

## B45 Air Blow Check Valves



**Materials**

- 316L stainless steel
- Stem seat and gasket: EPDM

**Specifications**

- Maximum operating temperature: **212°F (100°C)**
- Maximum operating pressure: **145 PSI**

**Approval**

- Conforms to 3A accepted practice 604-05 supplying air under pressure in contact with milk, milk products, and product contact when B45ABFD150 filter disc is used, filter sold separately

Size	1/4" Quick-Connect Plug Part #	1/2" Female NPT Part #	1" Hose Barb Part #
1-1/2"	B45AB-R100150	B45BC-R100150	B45CC-R100150
2"	B45AB-R200	B45BC-R200	B45CC-R200
2-1/2"	B45AB-R250	B45BC-R250	B45CC-R250
3"	B45AB-R300	B45BC-R300	B45CC-R300
4"	B45AB-R400	B45BC-R400	B45CC-R400

NOTE: Optional filter B45ABFD150 - 1 micron filter, qty 50 per pack



B45CC-R200

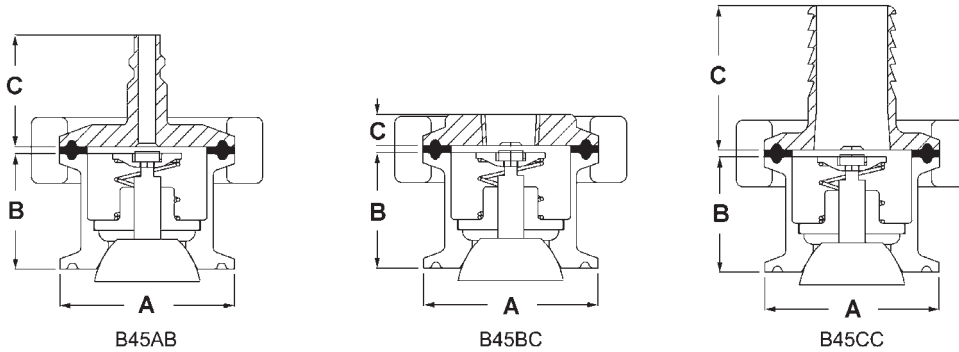
B45BC-R200

B45AB-R200

Can be used on the Dixon® HYC-Series Y-Ball Check Valves



**Dimensions**



Size	A (in)	B (in)	C (in) Plug	C (in) FNPT	C (in) Hose Barb
1"-1-1/2"	1.984	1.30	1.26	.6	1.7
2"	2.516	1.30	1.26	.6	1.7
2-1/2"	3.047	1.30	1.26	.6	1.7
3"	3.579	1.30	1.26	.6	1.7
4"	4.682	1.30	1.26	.6	1.7

NOTE: All dimensions are approximate. Engineering dimensions are available upon request. Specifications are subject to change without notice.

**Repair Kit**

- Repair kit, B45AB-RK, contains
- (1) EPDM / 316L stainless perforated disc
  - (1) 304 stainless spring retainer
  - (1) 304 stainless spring
  - (1) nylon stem guide
  - (1) 316L / EPDM stem and plug

**Sizing Chart**

NOTE: When using air blow sizing check valves with ball check valves, refer to the sizing chart below.

Ball Check Valve Size	Air Blow Check Valve Size
1-1/2"	2"
2"	2-1/2"
2-1/2"	3"
3"	4"



## HAV-Series Air Relief Check Valves



### Sizes

- 1-1/2" to 2"

### Features

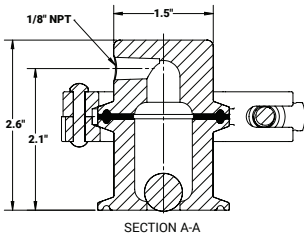
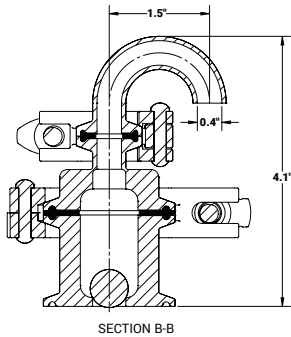
- No special tools required
- Ball and gaskets are replaceable
- Valve seals are under pressure and vacuum

### Materials

- Materials of construction technical data:
  - product contact components: 304 stainless steel
  - ball: polypropylene (standard) or PTFE
  - gasket: EPDM (standard); others available upon request

### Specifications

- Product temperature technical data:
  - maximum operating temperature: **212°F (100°C)**
- Product pressure technical data:
  - maximum operating pressure: **145 PSI**
- Surface finish technical data:
  - Internal product contact surface finish  $\leq 32$  Ra
  - others available upon request
- 3A approved only when used with elbow extension



Size	3A Elbow Part #	NPT Part #
1-1/2"	HAV3EA150	HAVNEA150
2"	HAV3EA200	HAVNEA200

### Repair Kits for HAV-Series Air Relief Check Valves

Size	Polypropylene Ball Part #	PTFE Ball Part #
All	HAV-3P	HAV-3T

## TVSEC-Series Air & Vacuum Relief Tank Vent Valves

### Features

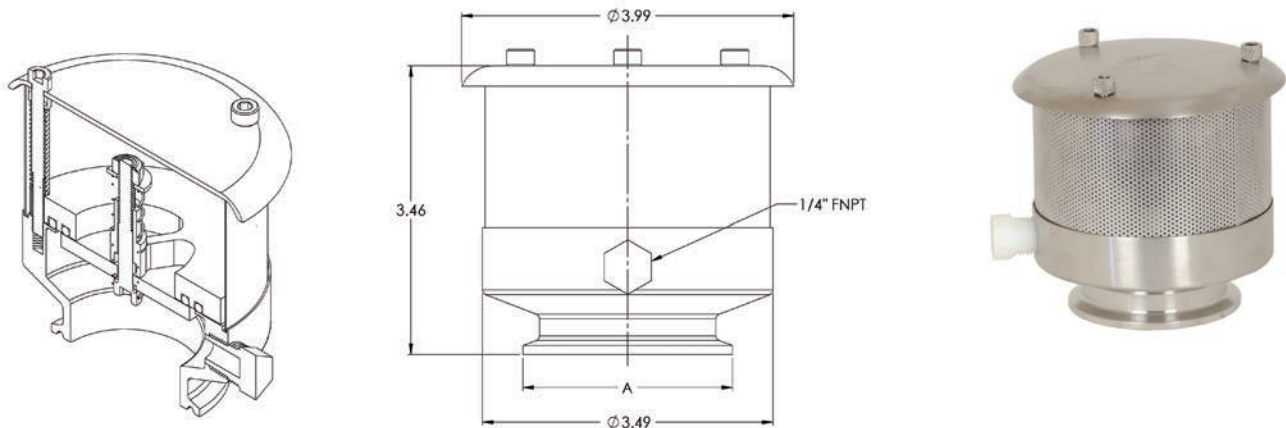
- Triple action:
  - valve relieves pressure as the fluid level rises while filling a tank
  - valve relieves vacuum as the fluid level drops while emptying a tank
  - seals under equal pressure
- Stainless steel screen surrounds the entire vacuum and pressure flow area
- 1/4" FNPT connection for gas inlet; plug also supplied

### Materials

- 304 stainless steel
- EPDM elastomer

### Specifications

- Vacuum break: 2" water column, **0.1 PSI**
- Pressure relief: 22" water column, **0.8 PSI**
- Maximum temperature and pressure rating: **3 PSI @ 70°F (21°C)**
- Tank fill and evacuation rate: **250 GPM max**



Tube O.D.	Dimension A (in)	304 Stainless Steel Part #
2"	2.52	TVSEC-G200
3"	3.58	TVSEC-G300
4"	4.68	TVSEC-G400

**!** NOTE: This valve has been designed as a secondary pressure and vacuum relief vent. Always open upper manhole whenever product is being transferred in excess of 250 gallons per minute. Dixon Sanitary assumes no liability for tank damage or product loss.

### Repair Kits for TVSEC-Series Air & Tank Relief Tank Vent Valves

Size	Part Kit Part #	O-Ring Kit Part #
All	TVSEC-RK	TVSEC-OKIT-E

NOTE: Part kit contains: (1) vacuum bolt, (1) EPDM vacuum bolt O-ring, (1) EPDM vacuum disc O-ring, (1) EPDM pressure plate O-ring, (1) vacuum spring, (1) SS flat washer, (1) SS nut, (3) SS pressure plate springs, (3) SS spacers, (3) SS cover screws

NOTE: O-ring kit contains: (1) EPDM vacuum bolt O-ring, (1) EPDM vacuum disc O-ring, (1) EPDM pressure plate O-ring

NOTE: All dimensions are approximate. Engineering dimensions are available upon request.

NOTE: Specifications are subject to change without notice.

**TVPC-Series Air & Vacuum Relief Tank Vent Valves**

**Features**

- Dome helps prevent external contamination
- Can use any clamp gasket
- Clamps to 2" or 3" sanitary ferrule

**Material**

- 304 stainless steel PVC

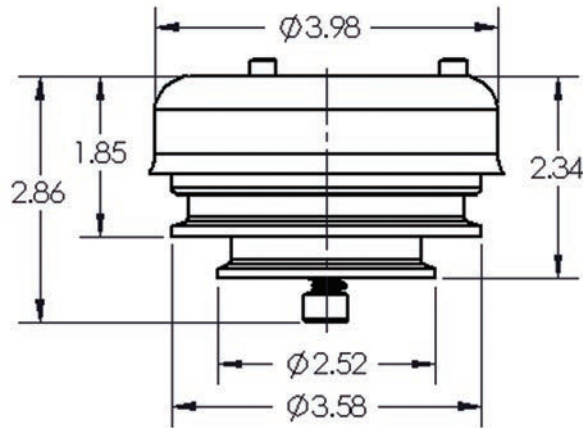
**Specifications**

- Tank fill and evacuation rate: **250 GPM** maximum
- Vacuum break: **0.1 PSI**
- Pressure relief: **0.1 PSI**



Size	304 Stainless Steel Part #
2" - 3"	TVPC200-300

**Dimensions**



**!** NOTE: This valve has been designed as a secondary pressure and vacuum relief vent. Always open upper manhole whenever product is being transferred in excess of 250 gallons per minute. Dixon Sanitary assumes no liability for tank damage or product loss.

NOTE: All dimensions are approximate. Engineering dimensions are available upon request.  
 NOTE: Specifications are subject to change without notice.



## BSV-Series Sample Valves

### Features

- Valve body made from solid bar
- Drainable
- Connections suitable for orbital welding
- Available with single or dual ports
- Hermetically sealed against environment
- Optimum cleanability
- Change of seals without special tools
- Options for pneumatic actuator: no lever, with self-closing lever and with lever for open position
- Manual hand wheel

### Materials

- Product contact materials: 1.4404/AISI 316L, PTFE bellows
- Non product contact materials: 1.4301/AISI 304

### Specifications

- Maximum temperature: **250°F (121°C)**
- Maximum cleaning temperature: **275°F (135°C)** for 20 minutes
- Maximum pressure: **116 PSI**
- Actuator control air pressure: **87-145 PSI**
- Surface finish: Internal product contact surface finish ≤ 32 Ra

Clamp Valve Size	Weld Port Size	Single Port Manual Part #	Dual Port Manual Part #
1/2"	1/4"	BSVS-HC050B025	BSVD-HC050B025
	3/8"	BSVS-HC050B375	BSVD-HC050B375
	1/2"	BSVS-HC050B050	BSVD-HC050B050
1" - 1-1/2"	1/4"	BSVS-HC100B025	BSVD-HC100B025
	3/8"	BSVS-HC100B375	BSVD-HC100B375
	1/2"	BSVS-HC100B050	BSVD-HC100B050
2"	1/4"	BSVS-HC200B025	BSVD-HC200B025
	3/8"	BSVS-HC200B375	BSVD-HC200B375
	1/2"	BSVS-HC200B050	BSVD-HC200B050
2-1/2"	1/4"	BSVS-HC250B025	BSVD-HC250B025
	3/8"	BSVS-HC250B375	BSVD-HC250B375
	1/2"	BSVS-HC250B050	BSVD-HC250B050
3"	1/4"	BSVS-HC300B025	BSVD-HC300B025
	3/8"	BSVS-HC300B375	BSVD-HC300B375
	1/2"	BSVS-HC300B050	BSVD-HC300B050
4"	1/4"	BSVS-HC400B025	BSVD-HC400B025
	3/8"	BSVS-HC400B375	BSVD-HC400B375
	1/2"	BSVS-HC400B050	BSVD-HC400B050



Single port manual hand wheel



Dual port with actuator and self closing lever

Size	Repair Kit Part #
1/2" to 4"	BSV-NRKS050400

NOTE: Repair kit contains: (1) silicone O-ring, (1) PTFE bellows

## A Guideline for Compound Selection for Use with Various Fluids and Chemicals

Note: The information contained in these tables was derived from several sources and is to be used as a general guide only. Compounds suitable for any specific application rests solely by the end user. Dixon Sanitary assumes no responsibility. All effect ratings assume static conditions at ambient temperatures.

A - satisfactory

B - fair

C - severe effect; except for some static applications

D - unsatisfactory

E - insufficient information

Fluid	Material								
	Nitrile Rubber	EPDM	FKM	PTFE	Silicone	304 Stainless Steel	316/L Stainless Steel	Brass	Bronze
Acetaldehyde	D	A	D	A	B	A	A	A	A
Acetamide	A	A	B	A	B	B	A	E	D
Acetic Acid, 20%	B	A	C	A	B	B	A	D	C
Acetic Acid, 80%	B	A	D	A	B	D	B	D	C
Acetone	D	A	D	A	C	A	A	A	A
Acetophenone	D	B	D	A	D	A	B	C	C
Acetyl Chloride (Dry)	D	D	A	A	C	A	A	D	E
Acetylene	B	A	A	A	B	A	A	B	C
Acrylonitrile	D	D	C	A	D	A	A	A	E
Adipic Acid	C	A	A	A	E	A	A	E	E
Alcohols: Amyl	C	A	A	A	E	A	A	E	E
Alcohols: Benzyl	D	B	A	A	E	B	B	E	A
Alcohols: Butyl	C	A	A	A	B	A	A	A	A
Alcohols: Diacetone	D	A	D	A	A	A	A	A	A
Alcohols: Ethyl	C	A	A	A	B	A	A	A	A
Alcohols: Hexyl	A	C	B	A	B	A	A	E	A
Alcohols: Isobutyl	B	A	A	A	A	A	A	E	A
Alcohols: Methyl	A	A	C	A	A	A	A	A	A
Alcohols: Octyl	B	A	B	E	B	A	A	E	A
Alcohols: Propyl	A	A	A	A	A	A	A	A	A
Amonia 10%	A	A	D	A	E	A	A	E	D
Ammonia Gas (cold)	A	A	D	A	A	E	E	D	D
Ammonium Chloride (aq)	B	A	A	A	C	C	B	D	D
Ammonium Hydroxide (conc.)	D	A	B	A	A	A	A	D	D
Ammonium Nitrate (aq)	A	A	E	A	C	A	A	D	D
Ammonium Nitrite (aq)	A	A	B	A	C	A	A	D	D
Ammonium Phospate (aq)	A	A	A	A	A	A	A	E	D
Ammonium Sulfate (aq)	A	A	D	A	A	B	B	D	D
Amyl Acetate (Banana Oil)	D	A	D	A	D	A	A	A	A
Amyl Borate	A	D	A	A	E	E	E	E	E
Antifreeze	A	A	A	E	C	E	A	E	A
Arsenic Acid	A	A	A	A	A	A	A	D	B
Arsenic Trichloride (aq)	C	D	D	A	E	D	D	E	E
Barium Chloride (aq)	A	A	A	A	A	A	A	B	B
Barium Hydroxide (aq)	A	A	A	A	A	B	B	D	D
Barium Sulfate (aq)	A	A	A	A	A	B	B	B	C
Barium Sulfide (aq)	A	A	A	A	A	B	B	D	D
Benzaldehyde	D	A	D	A	D	B	B	E	A
Benzene	D	D	D	A	D	B	B	E	A
Benzoic Acid	D	D	A	A	B	B	B	E	B
Benzyl Chloride	D	D	A	E	D	C	B	E	D
Boric Acid	A	A	A	A	A	B	A	E	B

Fluid	Material								
	Nitrile Rubber	EPDM	FKM	PTFE	Silicone	304 Stainless Steel	316/L Stainless Steel	Brass	Bronze
Brine - Calcium Chloride	A	A	A	A	A	A	E	A	E
Brine - Sodium Chloride	A	A	E	A	A	A	E	A	E
Bromine, Anhydrous	D	D	A	A	D	D	D	E	D
Bromine Water	E	E	A	A	D	E	B	E	D
Butadiene	D	C	B	A	D	A	A	E	C
Butane	A	D	A	A	D	A	A	E	C
Butyl Acetate	D	D	D	A	D	B	C	D	D
Butyl Acetyl Ricinoleate	C	C	A	A	E	A	A	E	E
Butyl Amine	E	E	D	A	B	E	A	E	B
Butyl Benzoate	E	B	A	A	E	B	B	E	E
Butyl Carbitol	A	A	C	A	D	E	E	E	E
Butyl Cellosolve	B	A	D	A	D	E	E	A	A
Butyl Oleate	E	C	A	A	E	E	E	E	E
Butyl Stearate	A	D	A	A	E	B	B	A	A
Butylene	A	D	A	A	D	A	A	E	D
Butyraldehyde	D	C	D	A	E	A	E	E	E
Carbolic Acid (Phenol)	D	C	A	A	D	B	B	D	B
Carbon Bisulfide	C	D	A	E	E	A	B	E	A
Carbon Dioxide	A	B	B	A	B	A	A	E	A
Carbonic Acid	D	B	A	A	A	A	A	D	B
Carbon Monoxide	A	A	A	A	A	A	A	E	A
Carbon Tetrachloride	D	D	A	A	D	B	B	E	A
Castor Oil	B	B	A	A	A	A	A	A	E
Catsup (Ketchup)	A	A	A	A	E	B	B	E	E
Cellosolve Acetate	D	B	D	A	D	E	B	E	B
Chlorine (wet)	D	B	C	A	D	C	C	D	D
Chlorine Dioxide	D	C	B	A	C	D	D	E	E
Chloroacetic Acid	D	B	A	A	D	B	A	D	C
Chloroacetone	D	D	B	A	D	B	B	E	E
Chlorobenzene	D	D	A	B	D	A	B	B	C
Chlorobromomethane	D	B	A	A	D	E	E	E	E
Chloroform	D	D	B	A	D	A	A	B	B
Chlorotoluene	D	D	A	A	D	B	B	E	E
Chocolate Syrup	A	A	A	A	E	A	A	E	E
Chrome Plating Solutions	D	E	A	A	B	E	D	E	E
Chromic Acid 5%	D	A	A	A	C	B	A	D	B
Chromic Acid 10%	D	C	A	A	C	B	B	D	D
Chromic Acid 30%	D	B	A	A	C	B	B	D	D
Chromic Acid 50%	D	B	A	A	C	C	B	D	D
Cod Liver Oil	A	A	A	A	B	A	A	E	E
Copper Acetate (aq)	B	A	D	A	D	C	C	C	C
Copper Chloride (aq)	A	A	A	A	A	D	D	E	D
Copper Cyanide (aq)	A	A	A	A	A	B	B	D	D
Copper Sulfate >5%	A	A	A	A	A	B	B	D	D
Copper Sulfate 5%	A	A	A	A	A	B	B	D	B
Creosols	E	D	A	A	D	A	E	E	A
Creosote, Coal Tar	E	D	A	A	D	B	E	E	E
Cresylic Acid	D	D	B	A	D	A	A	E	D
Cyclohexane	B	D	A	A	D	A	A	A	B
Cyclohexanol	C	D	A	A	D	B	B	E	E
Cyclohexanone	D	B	D	A	D	A	A	E	B

## Hygienic Fittings

Fluid	Material								
	Nitrile Rubber	EPDM	FKM	PTFE	Silicone	304 Stainless Steel	316/L Stainless Steel	Brass	Bronze
Denatured Alcohol	A	A	B	A	A	A	A	E	E
Detergent Solutions	A	A	A	A	A	A	A	E	B
Dibenzyl Ether	D	C	C	A	E	B	B	E	E
Dibenzyl Sebecate	D	C	B	A	C	E	E	E	E
Dibromoethyl Benzene	E	D	A	A	D	E	E	E	E
Dibutyl Amine	C	D	B	A	E	A	E	E	E
Dibutyl Ether	B	C	C	A	D	E	B	E	E
Dibutyl Phthalate	D	B	C	A	B	A	A	A	A
Dibutyl Sebecate	D	C	B	A	B	A	A	E	E
Dichlorobenzene	D	D	E	A	D	E	B	E	B
Dichloro Isopropyl Ether	D	D	C	A	D	E	E	E	E
Diethylamine	C	B	D	D	B	A	A	A	A
Diethyl Benzene	D	D	A	A	E	E	E	E	E
Diethyl Ether	D	D	D	A	D	B	B	B	A
Diethylene Glycol	A	A	A	A	B	A	A	E	E
Diethyl Sebecate	D	C	A	A	B	A	A	E	E
Diisobutylene	B	D	A	A	D	B	B	E	E
Diisopropyl Benzene	D	D	A	A	E	E	E	E	E
Diisopropyl Ketone	D	A	D	A	D	A	E	E	E
Dimethyl Aniline (Xylidine)	D	B	D	A	D	B	B	E	E
Dimethyl Ether (Methyl Ether)	A	E	E	A	E	B	E	E	E
Dimethyl Formamide	D	B	D	A	C	A	B	E	E
Dimethyl Phthalate	D	C	C	A	E	A	B	E	E
Dinitrotoluene	D	D	B	A	E	A	E	E	E
Diocetyl Phthalate	D	B	B	A	C	A	A	A	A
Diocetyl Sebecate	D	C	B	A	C	A	E	E	E
Dioxane	D	E	D	A	D	E	A	A	A
Dioxolane	D	B	B	A	D	E	E	E	E
Dipentene	C	D	A	A	D	A	A	E	E
Diphenyl (Phenylbenzene)	D	D	A	A	D	B	B	B	B
Diphenyl Oxide	A	D	A	A	C	B	A	E	E
Dowtherm Oil	D	D	A	A	C	A	A	A	A
Ethane	A	D	A	A	D	A	A	E	E
Ethanolamine	B	B	D	A	B	A	A	E	B
Ethyl Acetate	D	B	D	A	B	B	B	B	A
Ethyl Acetoacetate	D	C	D	A	C	A	E	E	A
Ethyl Acrylate	D	C	D	A	B	A	A	B	A
Ethyl Benzene	D	D	A	A	D	B	B	E	B
Ethyl Benzoate	D	E	A	A	D	E	E	E	E
Ethyl Cellosolve	C	B	B	A	D	E	E	E	E
Ethyl Cellulose	B	B	D	A	C	B	B	E	E
Ethyl Chloride	A	A	A	A	D	A	A	A	A
Ethyl Chlorocarbonate	D	B	A	A	D	E	E	E	E
Ethyl Chloroformate	E	D	A	A	D	E	E	E	E
Ethyl Ether	D	D	D	A	D	B	B	B	A
Ethyl Pentachlorobenzene	D	D	A	A	D	E	E	E	E
Ethylene	B	D	A	A	E	A	A	E	E
Ethylene Chloride	D	D	B	A	D	B	B	E	A

Fluid	Material								
	Nitrile Rubber	EPDM	FKM	PTFE	Silicone	304 Stainless Steel	316/L Stainless Steel	Brass	Bronze
Ethylene Diamine	A	A	D	A	A	B	B	D	B
Ethylene Dichloride	D	C	B	A	D	B	B	B	C
Ethylene Glycol	A	A	A	A	A	B	B	B	A
Fluoroboric Acid	A	A	A	A	E	B	B	E	B
Freon 11	B	D	D	A	D	A	A	E	E
Freon 12	A	A	C	A	D	B	B	B	B
Freon 22	D	A	D	A	D	A	A	A	E
Freon TF	A	D	B	A	D	A	A	E	E
Fruit Juice	A	A	A	A	E	A	A	D	E
Fumaric Acid	C	B	A	A	B	E	E	E	E
Gallic Acid	B	B	A	B	D	A	B	E	B
Gasoline, Unleaded	A	D	A	A	D	A	A	E	A
Glucose	A	A	A	A	A	A	A	A	E
Glycerin	A	A	A	A	A	A	A	B	A
Hexane	A	D	A	A	D	A	A	A	A
Hydrazine	B	A	D	A	B	A	A	E	E
Hydrobromic Acid 20%	E	A	A	E	D	D	D	D	D
Hydrobromic Acid 100%	D	A	A	A	D	D	D	D	E
Hydrachloric Acid 20%	E	A	A	A	D	D	D	E	D
Hydrachloric Acid 37%	B	C	A	A	B	D	D	E	D
Hydrachloric Acids 100%	D	D	B	A	D	D	D	D	D
Hydrocyanic Acid	B	B	A	A	C	B	A	D	A
Hydrofluoric Acid 20%	D	D	A	A	D	D	D	E	B
Hydrofluoric Acid 50%	D	D	A	A	D	D	D	E	B
Hydrofluoric Acid 75%	D	C	B	A	D	D	D	E	B
Hydrofluoric Acid 100%	D	D	B	A	D	B	B	E	B
Hydrofluosilicic Acid 20%	A	A	A	A	D	C	B	E	B
Hydrofluosilicic Acid 100%	B	A	A	A	D	D	D	E	B
Hydrogen Gas	A	A	A	A	C	A	A	E	A
Hydrogen Peroxide 10%	D	A	A	A	A	B	B	E	B
Hydrogen Peroxide 30%	D	B	A	A	B	B	B	E	B
Hydrogen Peroxide 50%	D	B	A	A	B	B	A	E	B
Hydrogen Peroxide100%	D	D	A	A	B	B	A	D	B
Hydrogen Sulfide (wet) cold	D	B	D	A	C	C	A	E	A
Hydroquinone	D	D	B	A	E	B	B	E	E
Iodoform	D	A	E	C	E	A	A	E	E
Isooctane	A	D	A	A	D	A	A	A	A
Isopropyl Acetate	D	B	D	A	D	C	A	E	A
Isopropyl Chloride	D	D	B	A	D	A	A	E	E
Isopropyl Ether	B	D	D	A	D	A	A	A	A
Kerosene	A	D	A	A	D	A	A	A	A
Lacquers	D	D	D	A	D	A	A	E	A
Lactic Acid	A	A	A	A	A	B	B	D	B
Lead Acetate	B	A	A	A	A	B	B	E	B
Lead Nitrate	A	A	A	A	B	B	B	E	B
Lime	A	D	A	A	E	A	A	E	E
Linoleic Acid	B	D	B	A	B	B	A	E	E

# Hygienic Fittings

Fluid	Material								
	Nitrile Rubber	EPDM	FKM	PTFE	Silicone	304 Stainless Steel	316/L Stainless Steel	Brass	Bronze
Maleic Acid	D	D	A	A	E	A	B	E	B
Malic Acid	A	D	A	A	B	A	A	B	B
Malt Beverages	A	A	A	A	A	A	A	E	E
Mayonnaise	C	E	A	A	E	C	A	E	E
Methane	A	D	A	A	D	A	A	E	A
Methyl Acetate	D	B	D	A	D	A	B	E	A
Methyl Acrylate	D	B	D	E	D	A	E	E	E
Methyl Acrylic Acid	E	C	C	A	D	E	E	E	E
Methyl Bromide	B	D	A	A	E	A	A	E	E
Methyl Butyl Ketone	D	A	D	E	D	A	A	E	E
Methyl Cellosolve	D	C	D	E	D	A	A	E	E
Methyl Chloride	D	D	A	A	D	A	A	A	B
Methyl Cyclopentane	B	D	A	A	E	A	E	E	E
Methylene Chloride	D	C	B	A	E	B	B	A	B
Methyl Ether	E	A	A	A	D	E	E	E	E
Methyl Ethyl Ketone	D	A	D	A	D	A	A	A	A
Methyl Isobutyl Ketone	D	B	D	A	D	B	B	E	A
Methyl Methacrylate	D	D	D	E	C	B	B	E	E
Milk	A	A	A	A	A	A	A	D	A
Mineral Oil	A	D	A	A	C	A	A	A	A
Mineral Spirits	A	D	A	A	D	A	A	E	A
Molasses	A	A	A	A	E	A	A	B	A
Monoethanolamine	A	D	A	A	C	A	A	A	A
Monomethylether	A	A	A	A	E	E	E	E	E
Monovinyl Acetylene	A	E	A	A	B	E	E	E	E
Motor Oil	A	D	A	A	E	A	A	E	A
Mustard	B	A	A	A	E	A	A	E	A
Naphthalenic Acid	B	D	A	A	E	A	A	E	E
Natural Gas	A	D	A	A	A	A	A	E	A
Nickel Acetate (aq)	B	A	D	A	D	A	C	E	E
Nickel Chloride (aq)	A	A	A	A	A	D	C	D	B
Nickel Sulfate (aq)	A	A	A	A	A	B	B	D	B
Nitric Acid 5%-10%	D	A	A	A	C	A	A	D	A
Nitric Acid 20%	D	A	A	A	D	A	A	D	A
Nitric Acid 50%	D	D	A	A	D	A	A	D	A
Nitric Acid Concentrated	D	D	A	A	D	A	A	D	A
Nitrobenzene (Ligroin)	D	B	A	A	D	B	B	E	A
Nitroethane	D	C	D	A	D	A	E	E	E
Nitrogen Tetroxide	D	D	D	A	D	A	E	E	E
Octachlorotoluene	D	D	A	A	D	E	E	E	E
Octadecane	A	D	A	A	D	E	E	E	E
N-Octane	E	E	E	E	D	E	E	E	E
Oleic Acid	C	D	B	A	D	A	A	D	B
Oils: Aniline	D	B	C	A	D	A	A	D	A
Oils: Anise	E	E	E	E	E	E	E	E	A
Oils: Bay	E	E	A	E	E	E	A	E	A
Oils: Bone	A	E	A	A	E	E	A	E	A
Oils: Castor	B	B	A	A	A	A	A	A	E

Fluid	Material								
	Nitrile Rubber	EPDM	FKM	PTFE	Silicone	304 Stainless Steel	316/L Stainless Steel	Brass	Bronze
Oils: Cinnamon	E	E	E	A	E	A	A	E	E
Oils: Citric	D	B	A	A	E	A	A	B	E
Oils: Clove	A	E	E	A	E	A	A	E	E
Oils: Coconut	A	D	A	A	A	A	A	E	E
Oils: Cod Liver	A	A	A	A	B	A	A	E	E
Oils: Corn	D	C	A	A	A	A	A	E	E
Oils: Cottonseed	A	D	A	A	A	A	A	A	E
Oils: Creosote	D	D	A	A	D	B	B	E	A
Oils: Diesel Fuel - 20, 30, 40, 50	A	D	A	A	D	A	A	E	A
Oils: Fuel - 1, 2, 3, 5A, 5B, 6	B	D	A	A	C	A	A	B	A
Oils: Ginger	A	A	E	A	E	D	D	E	D
Oils: Hydraulic - Petro	A	D	A	A	B	A	A	A	A
Oils: Hydraulic - Systhetic	D	A	E	A	B	A	A	A	A
Oils: Lemon	E	D	A	A	E	A	A	E	A
Oils: Linseed	A	D	A	A	A	A	A	B	A
Oils: Mineral	A	D	A	A	C	A	A	A	A
Oils: Olive	D	D	A	A	D	A	A	E	A
Oils: Orange	A	E	A	E	D	A	A	E	A
Oils: Palm	A	A	A	A	E	A	A	E	A
Oils: Peanut	A	D	A	A	A	A	A	E	A
Oils; Peppermint	D	E	A	A	E	A	A	E	A
Oils: Pine	D	D	A	A	D	A	A	E	A
Oils: Rapeseed	D	A	A	A	D	A	A	E	A
Oils: Rosin	A	E	A	A	E	A	A	E	B
Oils: Sesame Seed	A	E	A	A	E	A	A	E	A
Oils: Silicone	A	A	A	A	C	A	A	E	A
Oils: Soybean	A	C	A	A	A	A	A	E	A
Oils: Sperm (Whale)	A	E	E	A	E	A	A	E	A
Oils: Tanning	A	E	A	E	E	A	A	E	A
Oils: Transformer	A	D	A	A	B	A	A	E	E
Oils: Turbine	B	A	A	A	D	A	A	E	A
Oxalic Acid	B	B	A	A	B	A	A	D	B
Oxygen - Cold	C	A	A	A	A	A	A	E	E
Ozone	D	A	A	A	A	B	A	E	D
Palmitic Acid	A	B	A	A	D	B	A	D	A
Perchloric Acid	D	B	A	A	D	C	C	E	B
Phenyl Ethyl Ether	D	D	C	A	D	E	E	E	E
Phosphoric Acid - 20%	B	A	A	E	E	D	C	D	B
Phosphorus Trichloride	D	A	A	A	E	A	A	E	E
Piperidine	D	D	D	A	D	E	E	E	E
Polyvinyl Acetate Emulsion	E	A	D	A	E	E	E	E	B
Potassium Acetate (aq)	B	A	D	A	D	B	B	E	E
Potassium Chloride (aq)	A	A	A	A	A	B	A	D	B
Potassium Cyanide Solution	A	A	A	A	A	B	B	D	D
Potassium Nitrate (aq)	A	A	A	A	A	B	B	B	B
Propyl Acetate	D	B	D	A	D	A	A	A	E
Propyl Nitrate	E	B	D	A	D	A	E	E	E
Propylene	D	D	A	A	D	B	A	E	E

## Hygienic Fittings

Fluid	Material								
	Nitrile Rubber	EPDM	FKM	PTFE	Silicone	304 Stainless Steel	316/L Stainless Steel	Brass	Bronze
Pyridine	D	B	D	A	D	A	A	B	B
Salicylic Acid	B	A	A	A	E	B	B	E	A
Silicone Oils	A	A	A	A	C	A	A	E	A
Soap Solutions	A	A	A	A	A	A	A	B	B
Sodium Acetate (aq)	B	A	D	A	D	B	B	B	B
Sodium Bicarbonate (aq)	A	A	A	A	A	A	A	D	A
Sodium Borate (aq)	A	A	A	A	A	B	B	E	A
Sodium Chloride (aq)	A	A	A	A	A	B	B	D	B
Sodium Hydroxide 20%	A	B	D	A	A	B	B	B	B
Sodium Hydroxide 50%	A	B	D	A	A	B	B	D	C
Sodium Hydroxide 80%	D	B	D	A	A	C	B	D	C
Sodium Nitrate (aq)	A	A	A	A	D	B	B	E	B
Sodium Peroxide (aq)	B	A	A	A	D	A	A	D	A
Soybean Oil	A	A	A	A	A	A	A	E	A
Steam 220°F-300°F	D	E	D	D	C	E	A	A	A
Steam to 200°F	C	E	D	D	C	E	A	A	A
Stearic Acid	B	B	A	A	B	B	A	D	B
Stoddard Solvent	A	D	A	A	D	A	A	E	A
Sulfur Chloride (aq)	D	D	A	A	C	D	D	D	B
Sulfuric Acid <10%	A	A	A	A	C	D	B	E	B
Sulfuric Acid 10% - 75%	B	B	A	A	D	D	D	E	B
Sulfuric Acid 76% - 100%	C	B	A	A	D	C	D	E	B
Sulfuric Acid Cold Concentrated	D	C	A	A	D	C	B	E	B
Sulfuric Acid Hot Concentrated	D	D	D	A	D	D	C	E	B
Sulfurous Acid	B	B	A	A	D	B	B	E	B
Tannic Acid	A	A	B	A	B	B	A	B	B
Tartaric Acid	A	B	A	A	A	C	C	D	B
Tetrachloroethylene	D	D	D	A	D	B	B	E	B
Toluene	D	D	A	A	D	A	A	A	A
Triethanol Amine	D	B	D	A	D	A	A	E	E
Trioctyl Phosphate	D	A	B	A	C	E	E	E	E
Tung Oil (China Wood Oil)	A	C	A	A	D	E	E	E	E
Turpentine	E	D	A	A	D	A	A	D	A
Uric Acid	E	E	E	A	E	B	B	E	B
Vanilla Extract	A	E	D	A	E	A	A	E	E
Vegetable Juice	A	A	A	D	B	A	A	A	A
Vegetable Oils	B	D	A	A	A	A	A	E	E
Vinegar	B	A	A	A	A	A	A	D	A
Whiskey & Wines	A	A	A	A	A	A	A	B	A
Zinc Chloride (aq)	A	A	A	A	B	B	B	D	B



## Identifying Threads

**It is important to identify the threads required before ordering couplings.**

Identifying threads can sometimes be the most difficult and frustrating part of coupling selection. However, without the right combination of threads, you may not provide a functional or safe connection.

The diameters, threads per inch (TPI) and thread pitch, etc. are necessary to completely identify a thread. Ring, Plug and GO/NOGO gauges are required to accurately gauge or identify threads. In the field, in the absence of these gauges, thread leaf gauges can be used to identify the Threads Per Inch (TPI) and the thread pitch. On threads you have determined to be straight threads, a caliper can be used to measure the Outside Diameter of the Male (O.D.M.) or the Inside Diameter of the Female (I.D.F.). A caliper can also be used to take measurements of tapered thread diameters. However, these are more difficult to define because of the taper. Fortunately, there are few tapered threads to deal with and these can usually be identified from the nominal ODM and the TPI.

However, identifying the thread may not fully identify what is needed in a mating fitting. The application is the primary *limiting factor on the thread type used*. Dixon® offers products with a wide variety of threads used with hose, pipe and hydraulics.

When attempting to choose a fitting, it is always advisable to first identify the thread to which it must connect. This may entail checking with a fitting or equipment manufacturer.

When it is not possible to identify the thread:

- 1) Determine the number of threads per inch by measuring the distance from peak of thread to peak of thread across the largest number of whole threads. Then divide the number of threads by the measurement (This will provide the TPI).
- 2) Check to see if the thread is straight or tapered or flat thread.

### a) Straight Threads

Measure the Outside Diameter of the Male (O.D.M.) or the Inside Diameter of the Female (I.D.F.), from peak of thread to peak of thread.

### b) Tapered Threads

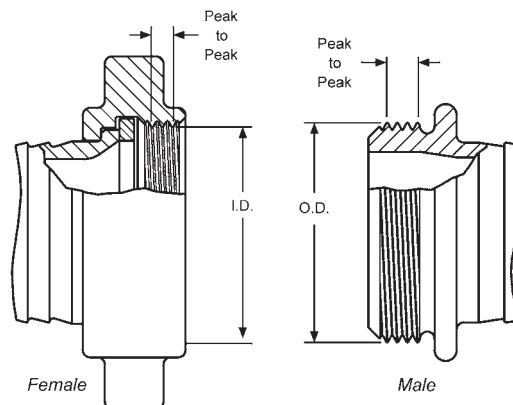
Measure the Outside Diameter of the Male (O.D.M.) at the large end and the small end, or the Inside Diameter of the Female (I.D.F.) at the large end and the small end, from peak of thread to peak of thread. Then measure the Outside Diameter (O.D.) of the unthreaded pipe.

### c) Flat (ACME) Threads

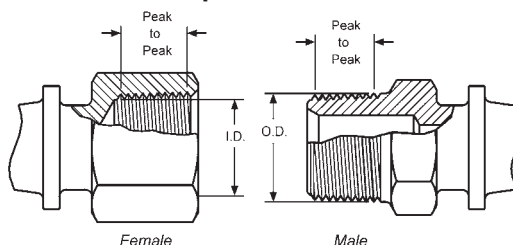
Acme threads are used for bevel seat and John Perry fittings in sanitary installations. Sizes 1" to 3" (tube size) have 8 threads per (TPI) and the 4" has 6 TPI. There is not a sharp point on this thread and it is a straight thread. The tops of the threads are flat and there is typically a 29° included angle between the threads. Measure the outside diameter of the male (O.D.) or inside diameter of the female (I.D.)

Once the application and these two pieces of information have been determined, the thread can generally be determined. When in doubt, contact Dixon® 800.355.1991.

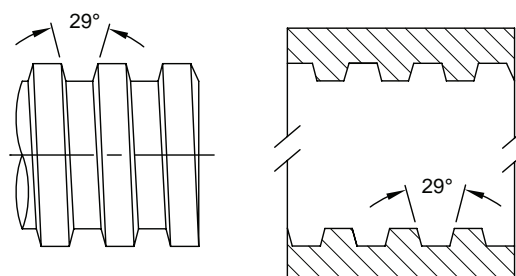
### Straight Thread



### Tapered Thread



### ACME Thread

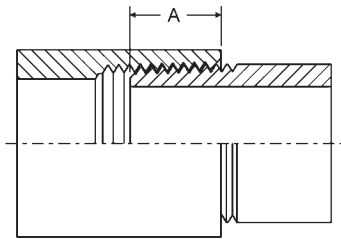


## Identifying Threads

### Thread Dimensions

O.D.M. -- Outside Diameter of the Male	Size	Pipe O.D.	Tapered Threads		Straight Threads		
			NPT	BSPT <sub>r</sub>	ACME 3A		
			TPI	TPI	TPI	O.D.M. (max)	I.D.F (min)
I.D.F. -- Inside Diameter of the Female	1/8"	0.405	27	28			
	1/4"	0.504	18	19			
TPI -- Threads Per Inch	3/8"	0.675	18	19			
	1/2"	0.840	14	14			
GHT (3/4") -- 1.0625 ODM 11-1/2 TPI	3/4"	1.050	14	14			
	1"	1.315	11.5	11	8	1.462	1.352
NPT = National Pipe Taper	1-1/4"	1.660	11.5	11			
	1-1/2"	1.900	11.5	11	8	1.994	1.884
BS = British Standard	2"	2.375	11.5	11	8	2.526	2.416
	2-1/2"	2.875	8	11	8	3.058	2.948
	3"	3.500	8	11	8	3.590	3.480
	4"	4.500	8	11	6	4.695	4.544
	5"	5.563	8	11			
	6"	6.625	8	11			
	8"	8.625	8				
	10"	10.750	8				
	12"	12.750	8				

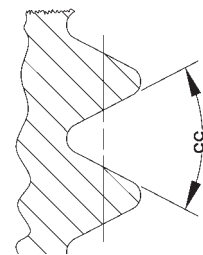
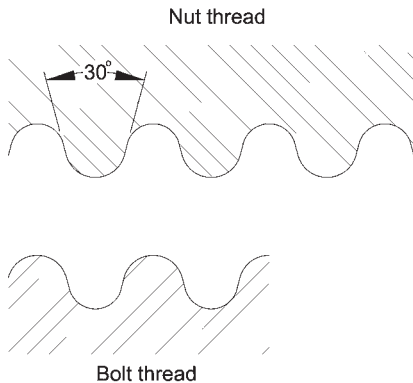
### Normal Engagement Length of NPT Thread in Inches (A) \*



\* Dimensions given do not allow for variations in tapping or threading.

Pipe Size	A	Pipe Size	A
1/8"	1/4"	2"	3/4"
1/4"	3/8"	2-1/2"	15/16"
3/8"	3/8"	3"	1"
1/2"	1/2"	4"	1-1/8"
3/4"	9/16"	5"	1-1/4"
1"	11/16"	6"	1-5/16"
1-1/4"	11/16"	8"	1-7/16"
1-1/2"	11/16"	10"	1-5/8"
		12"	1-3/4"

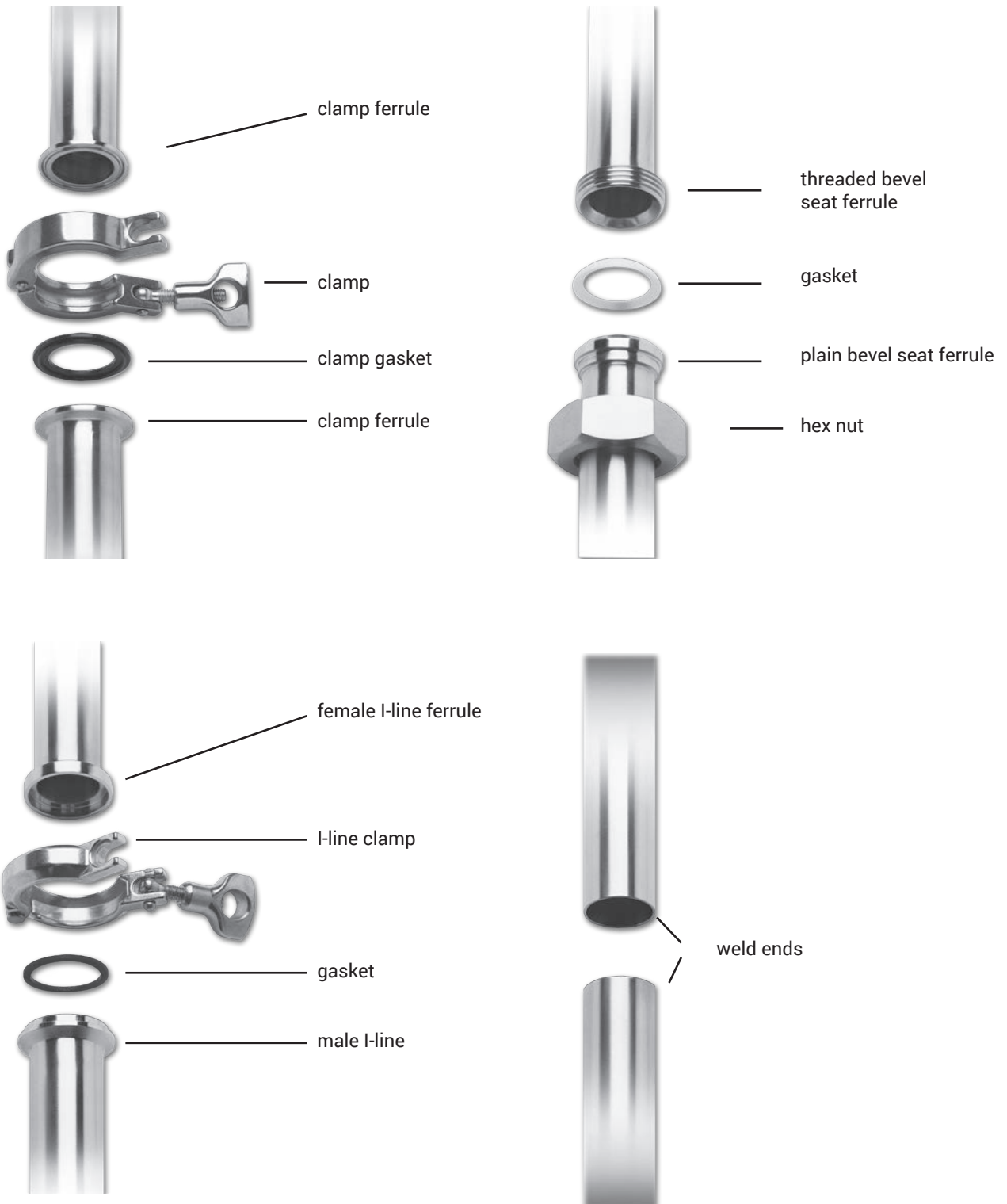
### DIN and RJT Threads



DIN knuckle threads for sanitary applications have a unique round shape making them easy to identify. There is a 30° included angle between the threads. There are 6 to 8 threads per inch for sanitary fittings. Measuring the I.D. of the round nut or the O.D. of the threads on the weld liner will help with identification. As Dixon Sanitary will be offering inch sizes, the best size identification is the O.D. of the tube.

The threads for RJT fittings are British Standard Whitworth. These look similar to straight threads but have a 55° angle and small radii on the tips rather than the flat tips and 60° angle found on U.S. standard straight threads. There are 6 to 8 threads per inch for the sanitary fittings.

### Identifying Fittings



NOTE: Clamp type connections are the most popular and are sometimes referred to as Tri-Clamp connections.  
 All connections are Tube O.D. 1/2" to 12"  
 Materials are available in 304 and 316L stainless steel, (other alloys can be special ordered)

### Austenitic Stainless Steel Chemistry

Element	C	Mn	P	S	Si	Cr	Ni	Mo
304 <sup>1</sup>	0.08	2.00	0.045	0.030	1.00	18.0-20.0	8.0-11.0	
316L <sup>1</sup>	0.03	2.00	0.045	0.030	1.00	16.0-18.0	10.0-14.0	2.0-3.0
316L BPE <sup>2</sup>	0.03	2.00	0.045	0.05 - 0.17	1.00	16.0-18.0	10.0-14.0	2.0-3.0
CF-8 <sup>3</sup>	0.08	1.50	0.04	0.04	2.00	18.0-21.0	8.0-11.0	
CF-8M <sup>3</sup>	0.08	1.50	0.04	0.04	2.00	18.0-21.0	9.0-12.0	2.0-3.0

<sup>1</sup> ASTM specifications for wrought material

<sup>2</sup> ASME BPE 2019

<sup>3</sup> ASTM A743

NOTE: Percentages are maximums unless a range is specified

### Finish Information

BPE Surface Finish Requirements (Table SF-2.4-1)

Surface designation	Mechanically Polished I.D. and O.D.		Dixon Sanitary Part number identifier
	Ra Maximum		
	I.D. μ-in.	O.D. μ-in	
SF0	no finish requirement	no finish requirement	
SF1	20	32	PL
SF2	25	32	
SF3	30	32	
Surface designation	Mechanically Polished O.D. and Electropolished I.D.		
	Ra Maximum		
	I.D. μ-in.	O.D. μ-in	
SF4	15	32	PM
SF5	20	32	
SF6	25	32	

## Glossary of Terms

**#1 Finish** - Mill Finish (bright annealed, pickled, sand blast or tumbled).

**#3 Finish** - Used on stainless steel tubing, only the I.D. is polished to sanitary standards with an Ra range of 36-58. The O.D. is unpolished.

**#3A Finish** - Used on stainless steel tubing, the I.D. is polished to sanitary standards with an Ra range of 16-23 and the O.D. is polished to sanitary standards with an Ra range of 27-32.

**#4A Dairy finish** - Used on any surface, stainless steel is polished to sanitary standards with an Ra range of 18-31. I.D. and O.D. are both polished.

**#5 Finish** - Used on stainless steel tubing, only the O.D. is polished to sanitary standards  $\leq$  Ra32. The I.D. is unpolished.

**#7 Finish** - Used on stainless steel tubing and both the I.D. and O.D. are polished to sanitary standards  $\leq$  Ra32.

**3A Symbol** - A registered trademark used to identify equipment that meets 3A Sanitary Standards for design and fabrication.

The 3A Symbol on dairy and food equipment serves three important purposes:

1. assures processors that equipment conforms to sanitary standards
2. provides accepted criteria to equipment manufacturers for sanitary design
3. establishes guidelines for uniform evaluation and compliance by sanitarians. For more information visit [www.3-a.org](http://www.3-a.org).

**ABS** - (Acrylonitrile-butadiene-styrene) a thermoplastic resin with an excellent resistance to acids, bases, salts and some solvents.

**Absolute Pressure** - Atmospheric pressure added to gauge pressure.

**Absolute Viscosity** - Measure of a fluid's flow resistance between two layers of fluid in motion.

**ACME Thread** - A flat grooved helical ridge on a female or male union. This typically has a 29° included angle. Used on Bevel Seat and John Perry fittings.

**Ambient Temperature** - The temperature at a point or area expressed as an average of the surrounding areas or materials. Ambient surface temperature is generally given to be 70°F to 80°F (21°C to 26°C) - an average of daily and seasonal variations.

**Anneal** - Stress relief of stainless steel, a heat treatment to remove the stresses generated in forming and welding operations. This heat treatment is best done under controlled atmosphere or vacuum to maintain the mill finish. The fittings are not quenched, as in solution annealing; this would reintroduce residual stresses. Done correctly, parts are processed to provide minimum residual stresses and full corrosion resistance.

**ANSI** - American National Standards Institute, Inc.

**Aseptic** - Free from contamination caused by harmful bacteria, viruses, or other microorganisms.

**ASME** - American Society of Mechanical Engineers

**ASTM** - American Society for Testing and Materials

**Atmospheric Pressure** - Force per unit area exerted against a surface by the weight of the air above that surface. At sea level, atmospheric pressure is 14.7 PSI or 1 bar.

**Automatic Welding** - Welding with equipment that performs the welding operation without adjustment of the controls by a welding operator. The equipment may or may not perform the loading and unloading of the work (see also machine welding).

**Bevel Seat Ferrules** - A set of plain (male) and externally threaded (female) ferrules with matching bevel angles that produce a leak-proof seal when connected with a hex union nut. The thread is an ACME thread.

**Bioprocessing** - The use of complete living cells or their components (e.g. bacteria, enzymes, chloroplasts) to obtain desired products.

### Glossary of Terms

**Bioprocessing Equipment** - Equipment, systems or facilities used in the creation of products utilizing living organisms.

**Bright Anneal** - Annealing in a protective medium to prevent scaling and discoloration of the surface.

**Bright Annealed Finish** - A silvery satin surface, approximating the mill finish of stainless steel.

**Burst Pressure** - The pressure at which rupture occurs.

**Capacity** - Flow rate normally measured in gallons per minute (GPM).

**Centipoise** - Metric unit of viscosity.

**Centistoke** - The kinematic unit of viscosity. Viscosity in centipoise divided by the liquid density at the same temperature gives kinematic viscosity in centistokes.

**CF8M** - Cast austenitic material for pressure containing parts and is slightly magnetic compared to 316 stainless steel that is not magnetic.

**Clamp** - A device used to mechanically connect parts/fittings, ensuring a quick leak-proof connection and enabling easy disassembly.

**Clean-In-Place (CIP)** - Internally cleaning a piece of equipment without disassembly. The equipment is cleaned but not necessarily sterilized. The cleaning is normally done by acid, caustic or a combination of both with water-for-injection (WFI) rinse.

**Cold Flow** - The distortion of a solid under sustained pressure especially with an accompanying inability to return to its original dimensions when the pressure is removed.

**Compression Set** - The deformation that remains in a solid after it has been subjected to and released from stress such as a clamp. The longer the stress is maintained the more definitive the deformation.

**Concentric** - Denoting circles, arcs, or other shapes which share the same center, the larger often completely surrounding the smaller.

**Controlled Sulfur** - The content in 316L materials, used as in BPE installations, must be between .005% and .017% to ensure better orbital welding.

**Density** - Fluid's mass per unit of volume.

**Dilatant Fluid** - Viscosity increases with shear.

**DIN** - Deutsches Institut für Normung - meaning German Institute for Standardization.

**Durometer** - An instrument for measuring the hardness of rubber by resistance to penetration.

**Durometer Hardness** - A numerical value which indicates the resistance to indentation of the blunt indenter of the durometer.

**Eccentric** - Not placed centrally or not having its axis or other part placed centrally.

**Elastomer** - A natural or synthetic polymer having elastic properties, e.g. rubber.

**Elastomeric Material** - A material that can be stretched or compressed repeatedly and, upon immediate release of stress, will return to its approximate original size.

**Electropolishing** - A controlled electrochemical process utilizing acid electrolyte, DC current, anode and cathode to smooth the surface by removal of metal.

**EPDM** - Ethylene propylene diene monome, a synthetic rubber.

**Ferrule** - A special fitting designed for welding to the end of tubing. Two ferrules and a gasket make a leak-proof connection when used with the complimentary clamp or nut.

**Fitting** - A small part of an apparatus (may be detachable).

**FKM (fluorocarbon)** - A family of fluoroelastomer materials defined by the ASTM International standard D1418.

**Fluorocarbon** - Synthetic rubber and fluoropolymer elastomer known as FKM.

**Fluoropolymer** - Polymer material having a carbon chain either partially or completely bonded to fluorine atoms. (FKM and PTFE are examples of this material type).

## Glossary of Terms

**Gas Tungsten-Arc Welding (GTAW)** - An arc welding process that produces coalescence of metals by heating them with an arc between a tungsten (non-consumable) electrode and the work. Shielding is obtained from a gas or gas mixture. (This process is sometimes call TIG welding, a non-preferred term.) GTAW may be performed by adding filler material to the weld or by a fusion process in which no filler is added.

**Gasket** - Static seal made from deformable material compressed between two mating surfaces.

**Gauge Pressure** - Pressure within a gauge that exceeds the surrounding atmospheric pressure, using atmospheric pressure as a zero reference.

**GPM** - The measure of flow in Gallons per Minute

**Heat Number** - A unique identifying code on a piece of metal to provide information about its origin.

**Heat-Affected Zone** - That portion of the base metal that has not been melted, but whose microstructure of mechanical properties have been altered by the heat of welding or cutting.

**Hex Union Nut** - An internally ACME-threaded six-sided connector used to assemble some fittings.

**Hygienic** - Clean and sanitary.

**Hygienic Clamp Joint** - A union consisting of two symmetrical ferrules having flat faces with a concentric groove and mating gasket that is secured with a clamp, providing a non-protruding, recessless product contact surface.

**Internal Expansion (IX)** - A method using a stem and a ferrule to assemble ends on a hose. Upon assembly of the parts, a plug, sometimes knows as a bullet, or a set of blades (fingers) is used to expand the stem diameter to a new larger size where the serrations of the stem are forced into the hose and this, in turn, forces the hose cover into the serrations of the ferrule. This provides a permanent assembly.

**ISO 5211** - International standard for actuator and valve interface. It defines the actuator mounting dimensions and drive size.

**Laminar Flow** - The smooth flow of a viscous liquid through a tube or pipe. In that case, the velocity of flow varies from zero at the walls to a maximum along the centerline of the vessel.

**Lubricant** - Any fluid that will maintain a film thickness of one micron or more at its operating temperature and load.

**Machine Welding** - Welding with equipment that performs the welding operation under the constant observation and control of a welding operator. The equipment may or may not perform the loading and unloading of the works. (see also automatic welding)

**Manual Welding** - Welding in which the entire welding operation is performed and controlled by hand.

**Meandering** - Of or pertaining to a weld bead that deviates from side to side across the weld joint rather than tracking the joint precisely. Note the control sulfur content in BPE weld material.

**Media** - The material flowing through a system.

**MTR** - (Material Test Report) is a certifiable document that communicates critical data for raw materials, such as steel and other metal alloys. The document certifies the material's compliance with contract and regulatory standards required for an application.

**NEMA Rating** - National electrical code ratings for electrical component enclosures.

**Neoprene** - Synthetic rubber, chemically and structurally similar to natural rubber.

**Newtonian** - A fluid that flows like water - its shear stress is linearly proportional to the velocity gradient in the direction perpendicular to the plane of shear

**Nick** - A surface void anomaly caused by material removal or compression from the surface, whose bottom surface is usually irregular.

**Nitrile Rubber** - An oil-resistant copolymer of acrylonitrile and butadiene, used especially for disposable gloves, gaskets, seals, and tubing.

### Glossary of Terms

**Nominal Size** - A dimensional value assigned for the purpose of convenient designation.

**Non-Product Wetted** - Metallic and elastomeric components not in contact with the media.

**NPT** - National Pipe Thread (tapered)

**ODP** - Open Drip Proof motor enclosure

**O.D.** - Outside diameter

**On-Off Service** - When the valve is being used to start or stop flow by being cycled to the full open or full closed position

**Operating Pressure** - The pressure at which system functions. Also known as working pressure.

**Orbital Welding** - Automatic or machine welding of tubes or pipe in-place with the electrode rotation (or orbiting) around the work. Orbital welding can be done with the addition of filler material or as a fusion process without the addition of filler.

**Passivation** - Removal of exogenous iron or iron from the surface of stainless steels and higher alloys by means of a chemical dissolution, most typically by a treatment with an acid solution that removes the surface contamination and enhances the formation of the passive layer.

**Pipe** - Pipe is a hollow cylinder used to move liquids, oils or gases. Pipe is measured by the Inner Diameter and schedule

**Pit** - A small surface void resulting from a localized loss of base material.

**Polish** - To make smooth and shiny by rubbing. Fittings may be machine polished to 15 Ra finish. Polish is I.D., O.D., or both per customer request.

**Polypropylene** - A lightweight synthetic plastic.

**Polysulfone** - A family of thermoplastic polymers. These polymers are known for their toughness and stability at high temperatures.

**Pressure** - The force per unit area applied on a surface in a direction perpendicular to that surface.

**Pressure Rating** - Maximum pressure at which a system is designed to operate.

**Pressure Shock** - Result of change in fluid velocity.

**Profilometer** - An instrument for the measurement of the degree of surface roughness.

**Pseudoplastic** - Fluid viscosity decreases as shear rate increases.

**PSI** - Pounds per square inch

**PSIG** - Pounds per square inch gauge

**PTFE** - Polytetrafluorethylene is a synthetic fluoropolymer of tetrafluoroethylene that has numerous applications.

**Ra** - Calculated as the roughness average of a surfaces measured microscopic peaks and valleys

**Reynolds Number (Re)** - Ratio of inertia forces to viscous forces giving a value to determine type of flow characteristic.

**Rheology** - Science of fluid flow.

**Rheomalactic** - Fluid viscosity decreases with time under shear conditions but does not recover.

**RJT** - Ring Joint Type

**RTD** - Resistance Temperature Detector is a device with a significant temperature coefficient (that is, its resistance varies with temperature). It is used as a temperature measurement device, usually by passing a low-level current through it and measuring the voltage drop.

**Sanitary (hygienic) Weld** - generally considered to be a groove weld in a square butt joint made by the GTAW (or plasma) process as a fusion weld without the addition of filler material. A sanitary weld must be completely penetrated on the weld I.D., with little or no discoloration due to oxidation and be otherwise without defects that would interfere with maintenance in a clean and sterile condition.

**Santoprene** - A thermoplastic elastomer, a rubber-like material that complies to FDA requirements.

**Schedule** - Dimensional standard for pipe as defined by ASTM.



## Glossary of Terms

**Service Temperature** - The maximum and minimum temperature of the media.

**Silicon Carbide** - Synthetic mineral of silicon and carbide. It is used in abrasives, refractories, ceramics and numerous high performance applications.

**Silicone** - Dimethyl silicone, a synthetic rubber.

**Sintering** - Heat process in which powdered metal particles are heated to near melting point, fusing the metal granules together.

**SIP** - Steam or Sterilization In Place - ability to steam clean or sterilize pump system without dismantling pump and system.

**SMS** - Swedish Milk Standard

**Specific Gravity** - A measure of the weight of a liquid in relation to that of water. If the liquid in question will float on water than the specific gravity will be less than one and if the liquid will sink when mixed with water the specific gravity will be greater than one.

**Specific Weight** - Fluid weight per unit volume.

**Static Head** - The pressure at any point in a liquid can be thought of as being caused by a vertical column of the liquid which, due to its weight, exerts a pressure equal to the pressure at the point in question. The height of this column is called the "static head" and is expressed in terms of feet of liquid.

**STP** - Standard conditions for temperature and pressure. In physical sciences, STP, are standard set of conditions for experimental measurements, to allow comparisons to be made between different sets of data. National Institute of Standard and Technology's (NIST) version is a temperature of 20°C, (293.15 K, 68°F) and an absolute pressure of 101.325 kPa (14.696 PSI, 1 atm).

**Surface Finish** - All surfaces as defined by Part SF of the current ASME BPE Standards and/or the owner/user or manufacturer and referred in  $R_a$ ,  $\mu\text{in}$ . Or  $\mu\text{m}$ .

**Surge** - Also known as water hammer. A rapid rise or decrease of internal pressure. Surge conditions occur for various reasons, typically, but not limited to: start and stop sequences.

**Transitional Flow** - Flow characteristic combining both laminar and turbulent flow tendencies.

**Transmitter** - A set of equipment used to generate and transmit electromagnetic waves carrying messages or signals.

**Tube** - A hollow cylinder especially one that conveys a fluid. For sanitary applications tube is measured in O.D. (Outside Diameter).

**Tube Fittings** - Connect runs of tubing (for in-line, offset, multi-port, and mounting configurations) to other tubing sections, pipe, hose, or other components. Systems are typically configured with straight sections connected by fittings or specially formed connections and joints.

**Tumble Polish Surface** - A uniform finish applied by vibratory equipment to stainless steel, varying from matte to bright grey depending on media used. This process may cause work hardening on the surfaces of stainless steel.

**Turbulent Flow** - Flow in which fluid undergoes irregular fluctuations, or mixing. The speed of the fluid at a point is continuously undergoing changes in both magnitude and direction.

**Vacuum** - Pressure in a pumping system below normal atmospheric pressure.

**Vapor Pressure** - Pressure at which a fluid will change to a vapor, at a given temperature

**Vaporize** - The fluid passes from a liquid to a gaseous state.

**Velocity** - Distance a fluid moves per unit of time

**Viscosity** - Measure of how resistant a fluid is to flow.

**Viscous Power** - Power loss due to viscous fluid friction within the pump.

**Volumetric Efficiency** - Ration of actual capacity against theoretical capacity.

### Glossary of Terms

**Water Hammer** - See surge

**Waviness** - Undulations or rippling of the surfaces.

**Welding** - Join two (or more) pieces of material by applying heat to produce a localized union through fusion across the interface. For sanitary fittings, a ferrule is attached to the ends of a tube fitting by TIG welding without the addition of filler metal. Tube fittings can then be joined with clamps and gaskets to form parts of a system.

**WOG** - Water, Oil Gas. Pressure rating for valves handling this products. This does not include steam.

## Limited Warranty

DIXON VALVE AND COUPLING COMPANY, LLC (herein called "Dixon") warrants the products described herein and manufactured by Dixon to be free from defects in material and workmanship for a period of one (1) year from date of shipment by Dixon under normal use and service. Its sole obligation under this warranty being limited to repairing or replacing, as hereinafter provided, at its option any product found to Dixon's satisfaction to be defective upon examination by it, provided that such product shall be returned for inspection to Dixon's factory within three (3) months after discovery of the defect. The repair or replacement of defective products will be made without charge for parts or labor. This warranty shall not apply to: (a) parts or products not manufactured by Dixon, the warranty of such items being limited to the actual warranty extended to Dixon by its supplier; (b) any product that has been subject to abuse, negligence, accident, or misapplication; (c) any product altered or repaired by others than Dixon; and (d) to normal maintenance services and the replacement of service items (such as washers, gaskets, and lubricants) made in connection with such services. To the extent permitted by law, this limited warranty shall extend only to the buyer and any other person reasonably expected to use or consume the goods who is injured in person by any breach of the warranty. No action may be brought against Dixon for an alleged breach of warranty unless such action is instituted within one (1) year from the date the cause of action accrues. This limited warranty shall be construed and enforced to the fullest extent allowable by applicable law.

Other than the obligation of Dixon set forth herein, Dixon disclaims all warranties, express or implied, including but not limited to any implied warranties of merchantability or fitness for a particular purpose, and any other obligation or liability. The foregoing constitutes Dixon's sole obligation with respect to damages, whether direct, incidental, or consequential, resulting from the use or performance of the product.

Some products and sizes may be discontinued when stock is depleted or may require a minimum quantity for ordering.

---

## About This Catalog and Our Products

This catalog is intended as a product offering. It is not a user or technical manual. Information in this catalog is subject to change without notice. We may modify product design and specification without notice and without any obligation to modify or substitute products previously purchased. All users and distributors of products sold through this catalog are strongly encouraged to contact Dixon with questions on use, compatibilities, coupling procedures, and life of product. Our full-time engineering and test staff are always available to recommend uses and to assist distributors and users with questions.



---

### Safety



Safety logos, which appear throughout our catalog, are used as a reminder that the user should carefully review for the appropriateness of the product for the media, application, and environment in which it will be used.

NOTE: Because of the health hazards associated with contamination and lead content in drinking water systems, Dixon couplings, unless otherwise specifically approved, are not recommended for potable water service and should not be used in applications where drinking water will contact the wetted surfaces of the coupling.

All Dixon products are shipped in cartons with the following warning:

**"WARNING:** This product contains lead, a chemical known to the State of California to cause cancer and birth defects or other reproductive harm."

---

## Trademarks

Delrin® and Zytel® are registered trademarks of E.I. duPont Nemours and Company.

Kalrez® is a registered trademark of DuPont Dow Elastomers.

All other trademarks appearing in the Dixon illustrated price list are the property of their respective owners.

---

## Copyright

Copyright © 2022 by Dixon Valve and Coupling, LLC

All rights reserved. This book is copyrighted material. Use, reproduction or copying of it by anyone other than Dixon® is strictly forbidden without its express written consent.

NOTE: Reasonable care has been taken in preparing this catalog. Dixon Valve & Coupling Company, LLC reserves the right to make corrections.



