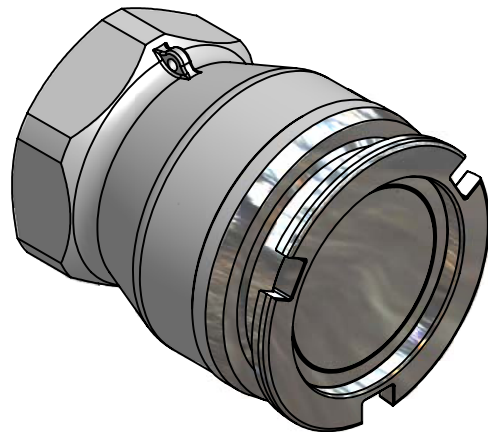
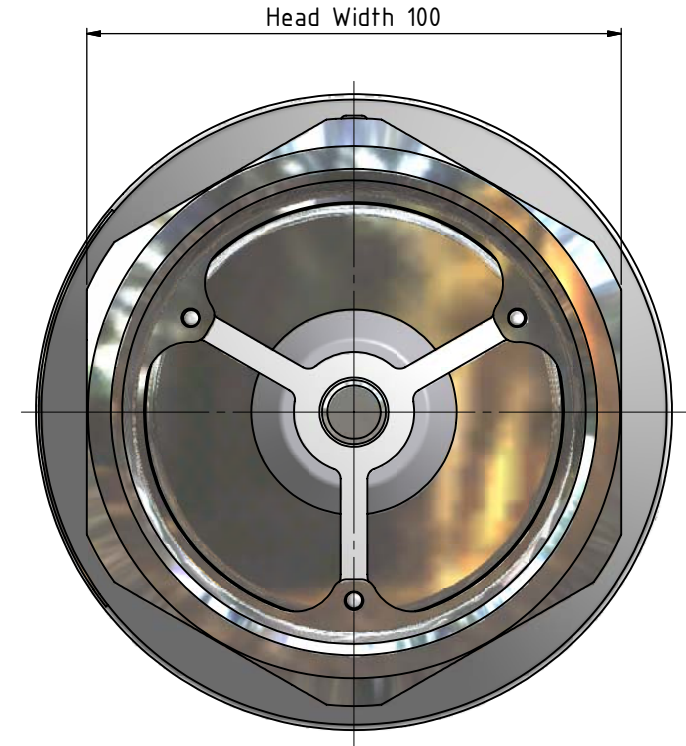
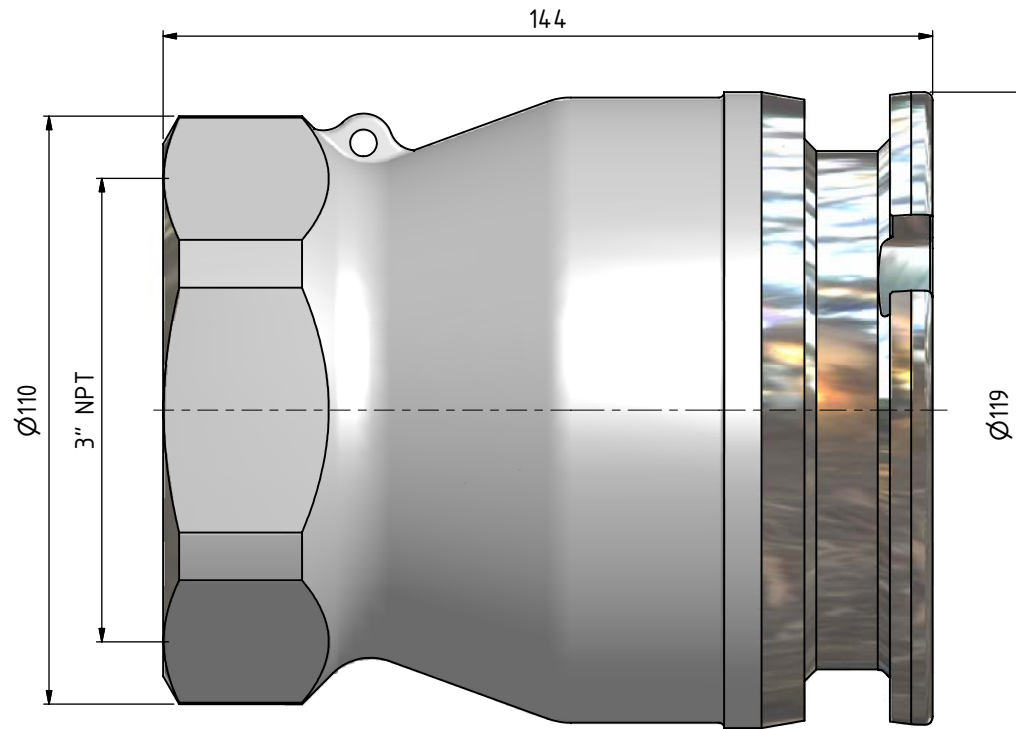



Notice: This drawing contains proprietary information and shall not be used or reproduced or its contents disclosed in whole or in part, without the prior written consent of the Mann Teknik AB



Dimensions are in metric.

Detail No:		Material		Ytbeh./Treatment	
		Designed/drawn by P. Nyberg		Scale: 1:1	
		Checked G. Kopplin		Date 2007-05-15	
		Approved T. Mann			
Tank Unit 3" Connection: 3" NPT				Data nr./Comp No. T415B4401	
				Blad/Sheet 1 / 1	
				Drawing No. T415B4401-1	
				Rev.	

NO.	Revision comprises	Date	Sign.	Appr by
-----	--------------------	------	-------	---------