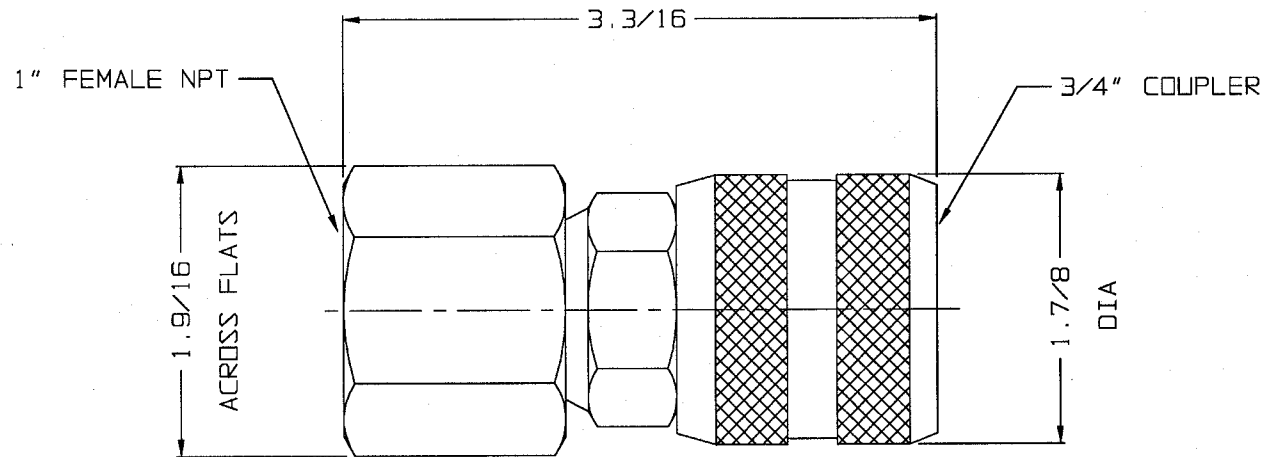


DC7028

SIZE
A



TOLERANCES (UNLESS NOTED)		DIXON VALVE & COUPLING CO.		
DECIMAL ± -		U. S. A.		
FRACTION ± 1/32		TITLE		
ANGLE ± -		1" FEMALE NPT x 3/4" 'AIR CHIEF' COUPLER		
SCALE:	DRAWN BY:	ENG CHECK:	MFG CHECK:	APPROVAL:
NONE	2/14/94 <i>Dixon</i>			
MAT'L	STEEL	DC7028		SIZE A



The Right Connection™