

### Feature

Cast aluminum, Epoxy powder coated  
 ISO 5211 connection  
 Torque range: 443 - 4425 inlb  
 Manual override handwheel  
 Travel 90° (travel time: 13 - 60 seconds)  
 Electric connections 2 x 1/2" NPT  
 Automatic declutch  
 Self-locking gear  
 Enclosure protection NEMA 4X  
 CSA standard certified

3 point control (ON-OFF)  
 2 adjustable limit switches (250VAC-5A or 48VDC-2.5A)  
 Torque limiter (for CUTAQ30 and CUTAQ50)  
 Motor duty rating: S4-30%. Up to 360 starts per hour at peak of operation

Available in the following versions:  
 - 115/120 VAC 50/60 Hz supply  
 - 24 VDC supply

Working temperature: -4°F - +140°F



### Technical data

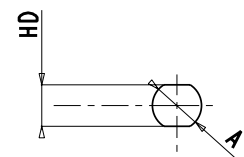
Item	3PT Model	P. Supply	Max Torque [in lb]	Power * [w]	Operating time
CUTAQ05-02-120-3PT-0	CUTAQ05	115-120VAC	443	15	23 sec
CUTAQ10-04-120-3PT-0	CUTAQ10	115-120VAC	885	15	36 sec
CUTAQ10-05-120-3PT-0	CUTAQ10	115-120VAC	885	15	36 sec
CUTAQ15-06-120-3PT-0	CUTAQ15	115-120VAC	1328	30	43 sec
CUTAQ30-08-120-3PT-0	CUTAQ30	115-120VAC	2655	40	50 sec
CUTAQ50-10-120-3PT-0	CUTAQ50	115-120VAC	4425	60	50 sec
CUTAQ50-12-120-3PT-0	CUTAQ50	115-120VAC	4425	60	50 sec
CUTAQ05-02-024-3PT-0	CUTAQ05	24VDC	443	30	13 sec
CUTAQ10-04-024-3PT-0	CUTAQ10	24VDC	885	30	21 sec
CUTAQ10-05-024-3PT-0	CUTAQ10	24VDC	885	30	21 sec
CUTAQ15-06-024-3PT-0	CUTAQ15	24VDC	1328	30	25 sec
CUTAQ30-08-024-3PT-0	CUTAQ30	24VDC	2655	50	35 sec
CUTAQ50-10-024-3PT-0	CUTAQ50	24VDC	4425	50	60 sec
CUTAQ50-12-024-3PT-0	CUTAQ50	24VDC	4425	50	60 sec

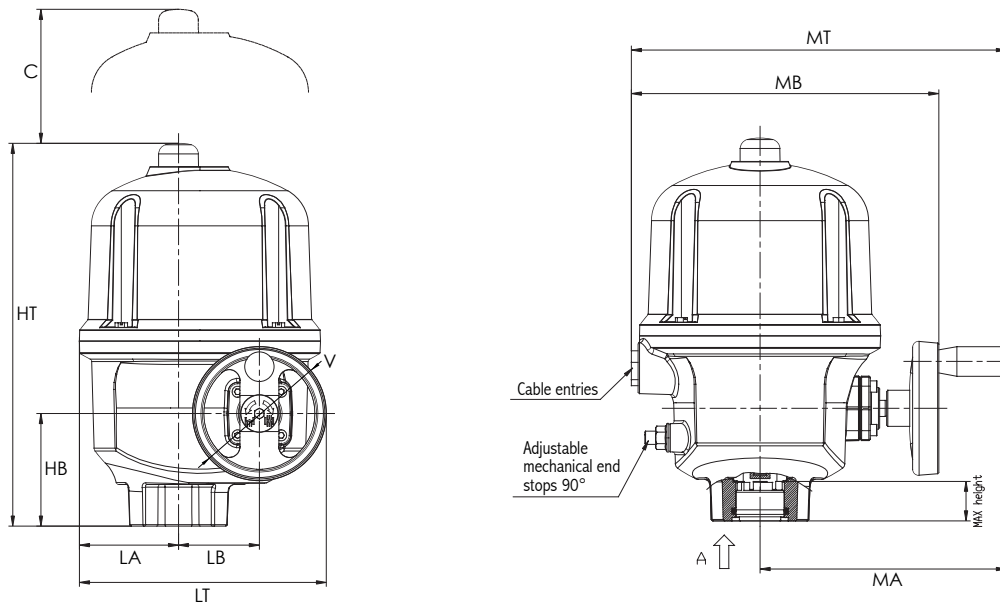
\*Mechanical Power of the electrical motor given for an actuator torque equal to 35% of Max Torque

### Dimension

3PT Model-Size	Flange ISO 5211	Double D Connection Diameter A [in]	Double D Connection Width HD [in]
CUTAQ05-02	F05 / F07	0.496	0.394
CUTAQ10-04	F05 / F07	0.621	0.472
CUTAQ10-05	F05 / F07	0.744	0.551
CUTAQ15-06	F05 / F07	0.744	0.551
CUTAQ30-08	F07 / F10	0.870	0.669
CUTAQ50-10	F07 / F10	1.120	0.866
CUTAQ50-12	F07 / F10 / F12*	1.244	0.945

\* F12: with included adaptor





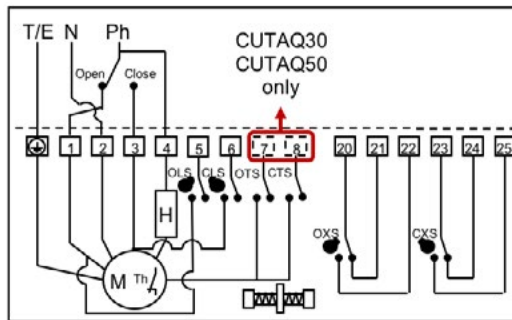
3PT Model	LA [in]	LB [in]	LT [in]	MA [in]	MB [in]	MT [in]	HT [in]	HB [in]	φV [in]	Max. Ht [in]	Wt [lb]
CUTAQ05	2.91	2.38	7.26	7.24	9.04	11.02	11.25	3.31	3.94	1.18	22
CUTAQ10	2.91	2.38	7.26	7.24	9.04	11.02	11.25	3.31	3.94	1.18	22
CUTAQ15	2.91	2.38	7.26	7.24	9.04	11.02	11.25	3.31	3.94	1.18	22
CUTAQ30	3.38	2.91	10.24	12.21	13.66	16.81	12.93	4.39	6.31	1.77	33
CUTAQ50	3.38	2.91	10.24	12.21	13.66	16.81	12.93	4.39	7.88	1.77	33

\* 4.0" allowance C on the top is recommended for disassembly

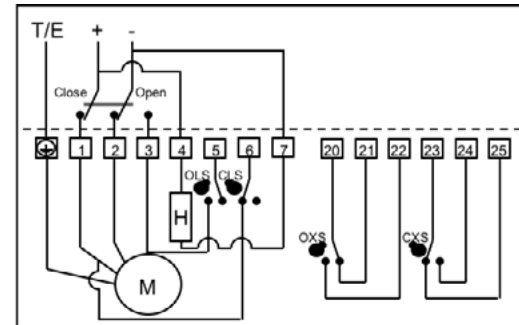
### Wiring diagrams

	Designation
OLS	Open limit switch
CLS	Close limit switch
OXS	Auxiliary limit switch 1
CXS	Auxiliary limit switch 2
OTS	Open torque switch
CTS	Close torque switch
M	Motor
H	Integral heater
N	Wiring to neutral
Ph	Wiring to phase
T/E	Earth

#### 115V /120V



#### 24VDC



#### 24VDC (CUTAQ30 & CUTAQ50)

