

# Chicago Valves & Controls

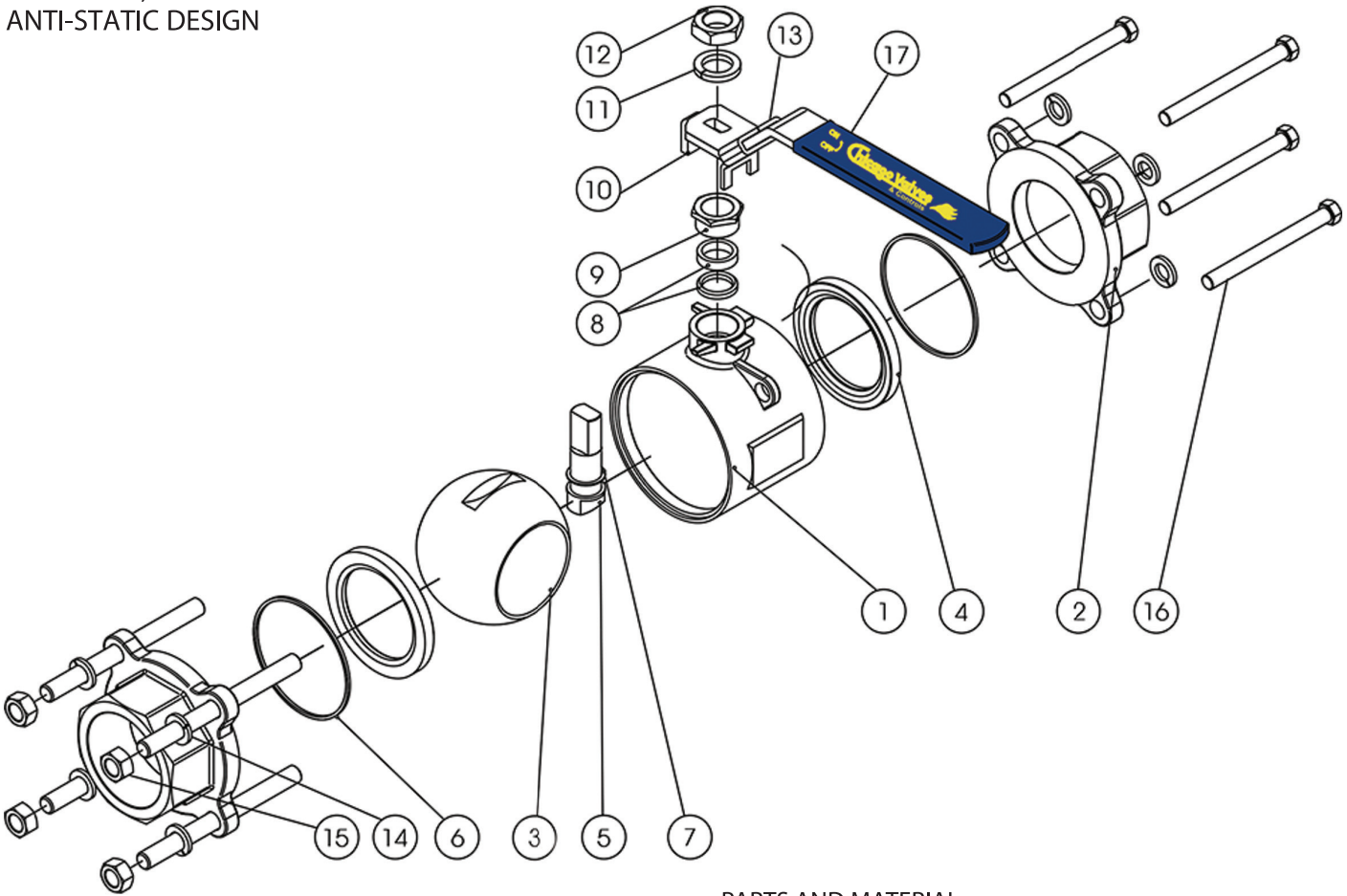


**SERIES 33**

**FULL PORT 3PC BALL VALVE**

1000 CWP (1/4"-2")  
 316 STAINLESS STEEL - ASTM A351 CF8M  
 CARBON STEEL - ASTM A216 WCB (ENDS)  
 STEAM RATING: 150 PSI WSP  
 VACUUM SERVICE TO 29" Hg  
 BLOWOUT PROOF STEM  
 THREADED, SOCKET WEL D / BUTT WELD ENDS  
 ANTI-STATIC DESIGN

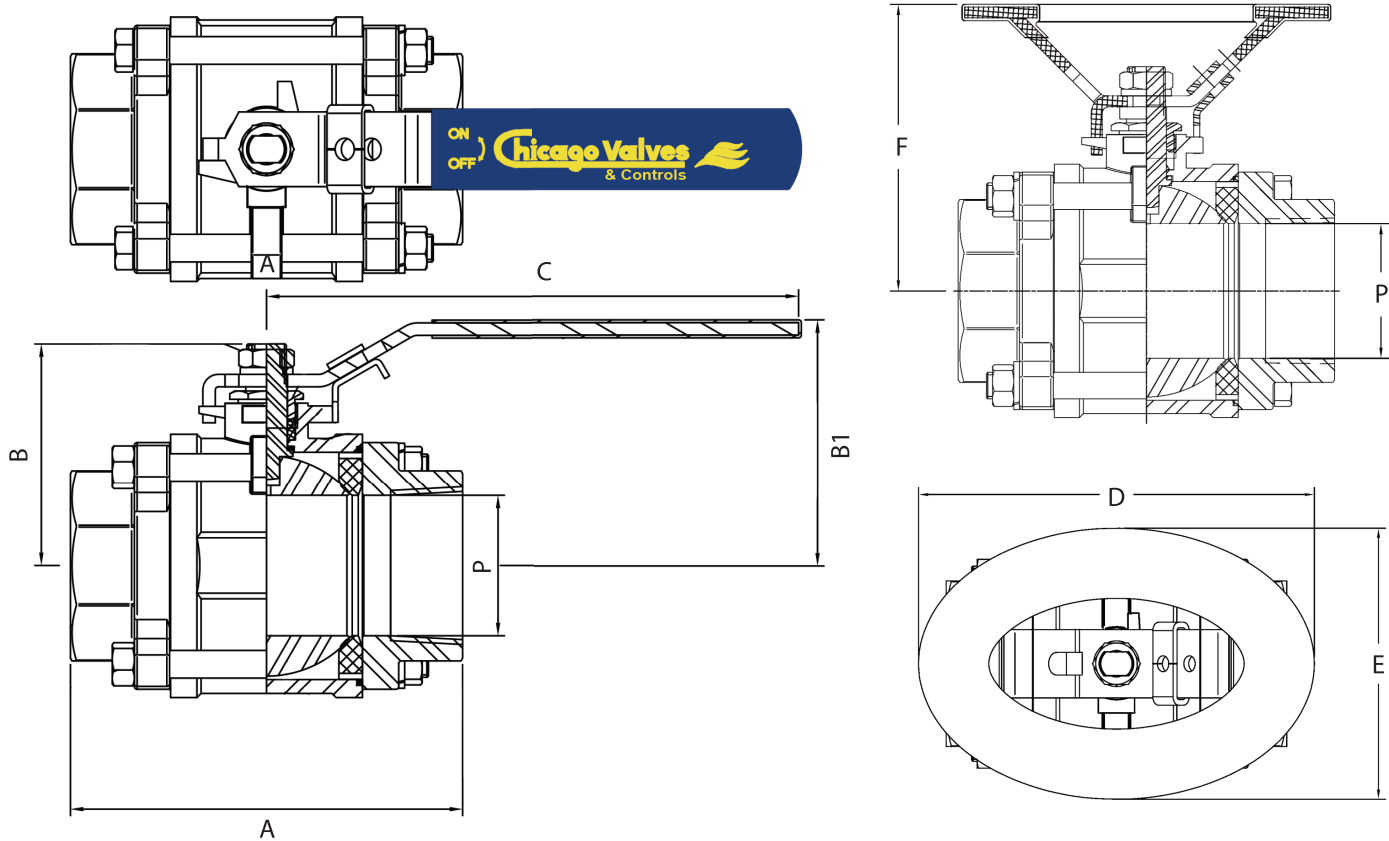
Series 33



PARTS AND MATERIAL

PART NO.	PART NAME	QTY.	MATERIAL
1	Body	1	316 Stainless Steel ASTM A351 CF8M
2	Ends Cap	2	Carbon Steel ASTM A216 WCB 316 Stainless Steel ASTM A351 CF8M
3	Ball	1	316 Stainless Steel
4	Seat	2	RTFE
5	Stem	1	316 Stainless Steel
6	Body Seals	2	PTFE
7	Thrust Washer	1	Carbon Fill PTFE
8	Stem Packing	3	PTFE
9	Gland Packing	1	300 Series Stainless Steel
10	Handle	1	300 Series Stainless Steel
11	Handle Washer	1	300 Series Stainless Steel
12	Handle Nut	1	300 Series Stainless Steel
13	Locking Device	1	300 Series Stainless Steel
14	Spring Washer	8	300 Series Stainless Steel
15	Nuts	8	300 Series Stainless Steel
16	Body Bolts	8	300 Series Stainless Steel
17	Handle Sleeve	1	PVC

Series 33



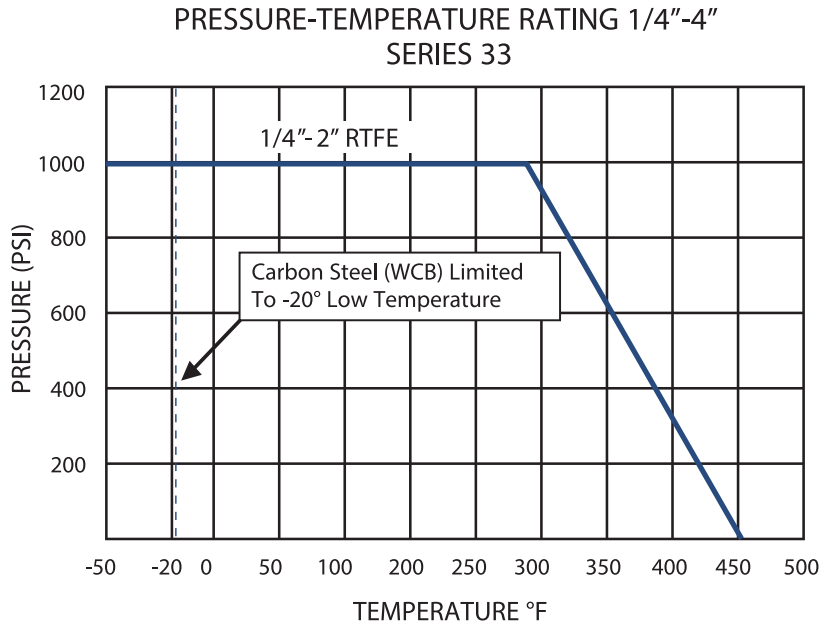
**DIMENSIONS (INCHES)**

SIZE	A	B	B1	C	D	E	F	P
1/4"	2.22	1.55	1.70	4.02	4.02	2.48	2.68	0.41
3/8"	2.30	1.55	1.70	4.02	4.02	2.48	2.68	0.50
1/2"	2.46	1.75	2.10	5.07	4.02	2.48	2.68	0.60
3/4"	2.87	1.90	2.20	5.07	4.02	2.48	3.00	0.79
1"	3.32	2.35	2.80	6.03	5.20	3.19	3.62	1.00
1 1/4"	3.76	2.60	3.20	6.03	5.20	3.19	3.84	1.25
1 1/2"	4.47	2.90	3.30	7.33	5.20	3.19	4.09	1.50
2"	5.23	3.15	3.65	7.33	5.20	3.19	4.31	2.00

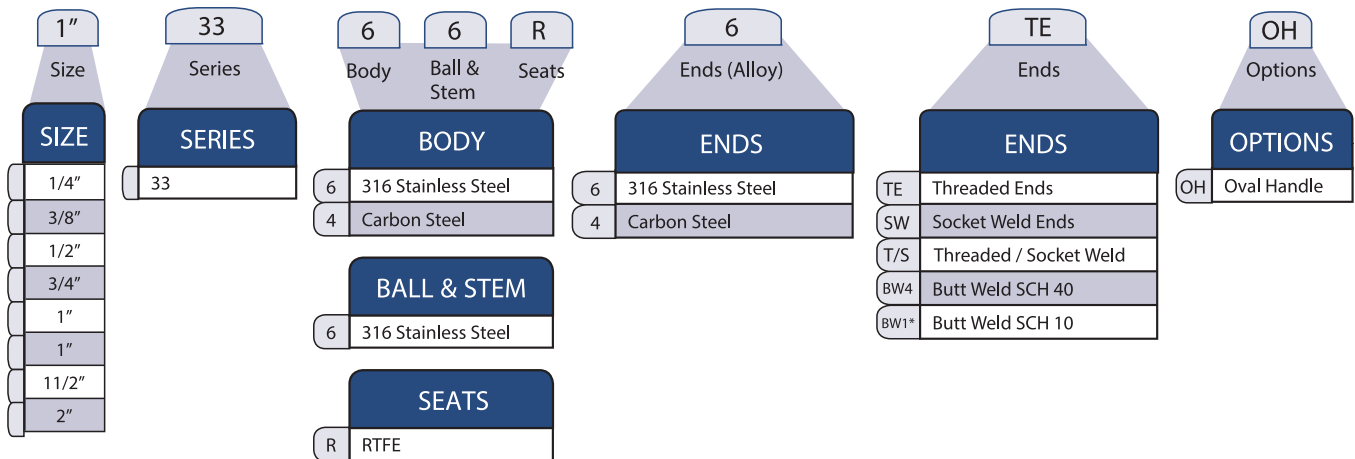
## APPLICABLE STANDARDS

SHELL TEST	ASME B16.34
SEAT TEST	ASME B16.34
THREADED AND SOCKET WELD ENDS	ASME B16.11
BUTT WELD ENDS	ASME B16.25

SIZE	CV (GPM)	WEIGHT (LBS)
1/4"	6.0	0.84
3/8"	7.0	0.84
1/2"	10	1.17
3/4"	25	1.54
1"	35	2.14
1 1/4"	46	3.26
1 1/2"	80	4.94
2"	110	7.63



## HOW TO ORDER



\*6-316 Stainless Steel

**Chicago Valves**  
& Controls



Toll-Free (833) 831-2312

Local (312) 637-3557

Fax: (312) 637-3543

E-Mail: [sales@chicagovalves.com](mailto:sales@chicagovalves.com)

[www.chicagovalves.com](http://www.chicagovalves.com)

885 Cambridge Dr.

Elk Grove Village, Illinois 60007 U.S.A.