

Chicago Valves & Controls

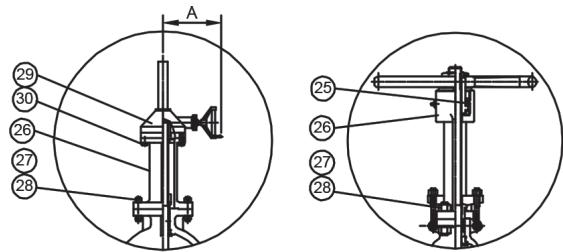


CAST STEEL

GATE, GLOBE & CHECK

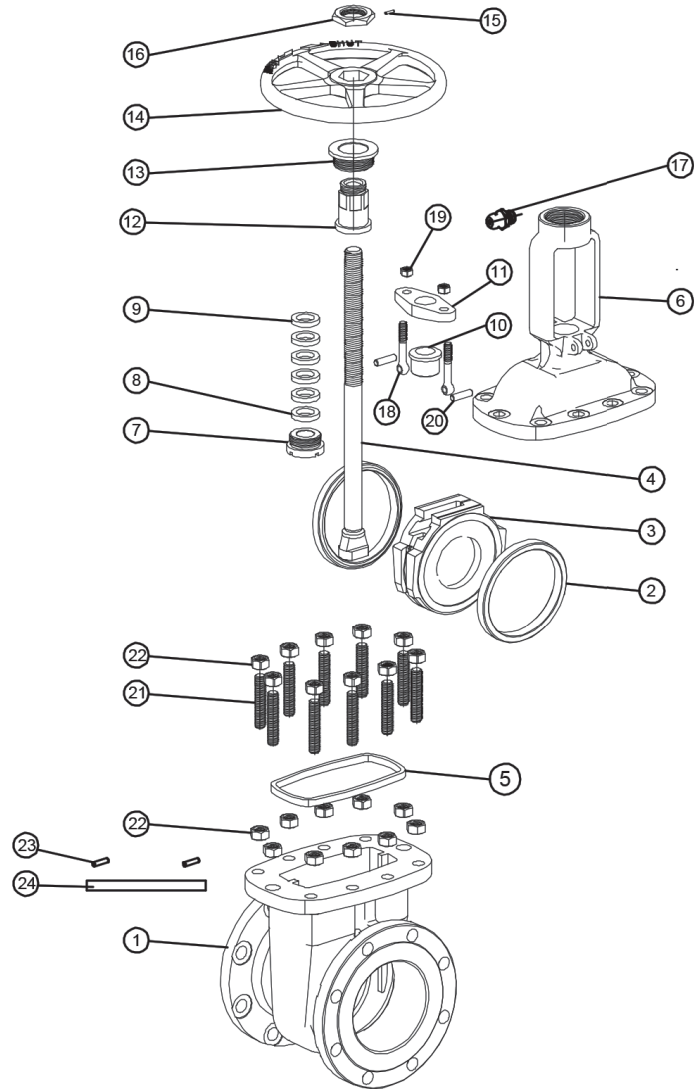
OUTSIDE SCREW AND YOKE
 BOLTED BONNET
 FLEXIBLE WEDGE FULLY GUIDED
 INTEGRATED SEATS
 RISING STEM AND NON-RISING HAND WHEEL
 TRIM 8
 NACE MR 0175

Cast Steel Gate



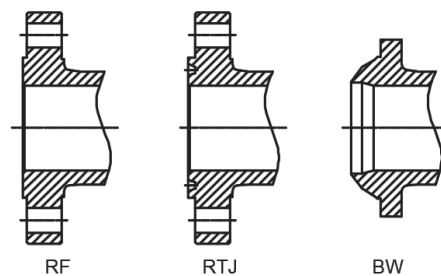
PARTS & MATERIAL

PART NO.	PART NAME	QTY.	MATERIAL
1	Body	1	ASTM A216 WCB
2	Seat Ring	2	ASTM A105
	Seat Ring Surface	2	HF(STL.6/CoCr-A)
3	Wedge	1	ASTM A216 WCB
	Wedge Seating Surface	1	13CR(ER410)
4	Stem	1	ASTM A182 F6a
5	Gasket	1	F304 or F316+Flexible Graphite
6	Bonnet	1	ASTM A216 WCB
7	Back Seat	1	ASTM A276 410
8	Distance Ring	1	ASTM A276 410
9	Packing	SEE TABLE	F304+Graphite+C.I.
10	Packing	SEE TABLE	Flexible Graphite+C.I.
11	Gland	1	ASTM A276 410
12	Gland Flange	1	ASTM A216 WCB
13	Stem Nut	1	ASTM A439-D2
14	Gland Nut	1	Carbon Steel
15	Handwheel	1	Ductile Iron
16	Screw	1	Carbon Steel
17	Lock Nut	1	Carbon Steel
18	Grease Nipple	1	Carbon Steel or A182
19	Eye Bolt	2	ASTM A193 B7
20	Eye Nut	2	ASTM A194 2H
21	Pin	2	Carbon Steel
22	Bolt	SEE TABLE	ASTM A193 B7
23	Nut	SEE TABLE	ASTM A194 2H
24	Rivet	2	AISI 304
25	Name Plate	1	AISI 304
26	Axletree	2	Carbon Steel
27	Yoke	1	ASTM A216 WCB
28	Yoke Bolt	4	ASTM A193 B7
29	Yoke Nut	8	ASTM A194 2H
30	Gear Box	1	Carbon Steel
31	Hex Bolt	1set	Carbon Steel

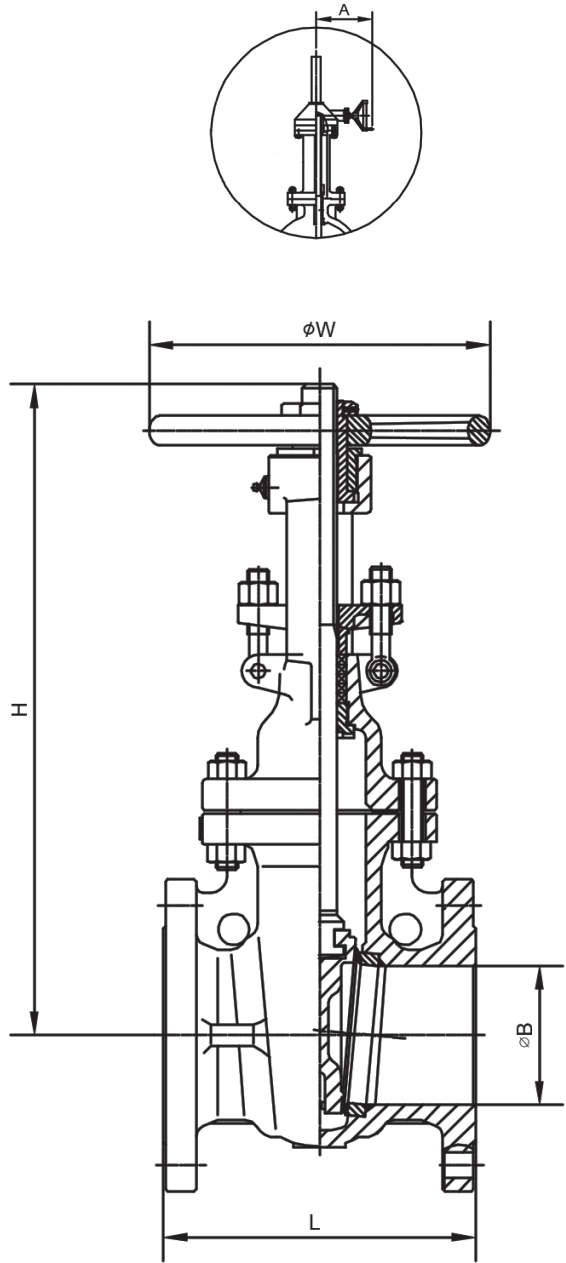


APPLICABLE STANDARDS

BASIC DESIGN	API 600
FACE TO FACE DIMENSION	ASME B16.10
END FLANGE DIMENSIONS	ASME B16.5 ASME B16.47-A&B(>26") ASME B16.25
TEST STANDARD	API 598



Cast Steel Gate



CV AND WEIGHTS

SIZE	NPS		2"	2 1/2"	3"	4"	5"	6"	8"	10"	12"	14"	16"	18"	20"	24"
WT	LB	150	40	60	75	110	141	171	269	397	573	844	1108	1322	1649	2489
		300	57	79	110	154	214	318	458	652	1028	1680	2004	2615	3298	5505
		600	73	129	139	238	397	476	1014	1482	1870	2380	2872	4328	6270	8675
		900	163	194	214	326	-	758	1312	2220	2694	4784	6195	8576	12170	18916
		1500	163	191	295	545	-	1116	2032	3378	1960	-	-	-	-	-
CV	CV	150	170.6	233.1	423.7	1079.2	2210.1	3389.2	6758.6	10581.2	16310.3	19912.4	22741.3	33636.6	45285.0	66147.3
		300	170.6	233.1	423.7	1079.2	2210.1	3389.2	6758.6	10581.2	16310.3	19912.4	22741.3	33636.6	45285.0	66147.3
		600	170.6	233.1	423.7	1079.2	2210.1	3389.2	6758.6	10581.2	16310.3	19912.4	22741.3	33636.6	45285.0	66147.3
		900	170.6	233.1	423.7	1079.2	-	2210.1	3389.2	6758.6	16310.3	19912.4	22741.3	33636.6	45285.0	66147.3
		1500	170.6	233.1	423.7	1079.2	-	3389.2	6758.6	10581.2	16310.3	-	-	-	-	-

Cast Steel Gate

150LB CAST GATE DIMENSIONS (INCHES)

SIZE	NPS	2"	2 1/2"	3"	4"	5"	6"	8"	10"	12"	14"	16"	18"	20"	24"
L (RF)	In	7.00	7.50	8.00	9.00	10.00	10.50	11.50	13.00	14.00	15.00	16.00	17.00	18.00	20.00
L (RTJ)	In	7.50	8.00	8.50	9.50	10.50	11.00	12.00	13.50	14.50	15.50	16.50	17.50	18.50	20.50
L (BW)	In	8.50	9.50	11.12	12.00	15.00	15.88	16.50	18.00	19.75	22.50	24.00	26.00	28.00	32.00
A	In	-	-	-	12.20	-	12.20	12.20	12.20	13.58	13.58	13.58	16.54	16.54	16.54
B	In	2.00	2.52	3.00	4.00	5.00	6.00	8.00	10.00	12.00	13.25	15.25	17.25	19.25	23.25
H	In	13.00	14.02	15.75	18.70	21.30	23.43	29.02	34.53	40.08	45.71	50.47	563.93	63.11	73.35
W	In	7.87	9.84	9.84	9.84	11.81	11.81	13.78	15.75	17.72	19.69	22.05	25.20	25.20	28.35

*Gear Operator Recommended

300LB CAST GATE DIMENSIONS (INCHES)

SIZE	NPS	2"	2 1/2"	3"	4"	5"	6"	8"	10"	12"	14"	16"	18"	20"	24"
L (RF-BW)	In	8.50	9.50	11.12	12.00	15.00	15.88	16.50	18.00	19.75	30.00	33.00	36.00	39.00	45.00
L (RTJ)	In	9.12	10.12	11.74	12.62	15.62	16.50	17.12	18.62	20.37	30.62	33.62	36.62	39.75	45.88
A	In	-	-	-	12.20	-	12.20	12.20	13.58	13.58	13.58	16.54	16.54	16.54	19.88
B	In	2.00	2.50	3.00	4.00	5.00	6.00	8.00	10.00	12.00	13.25	15.25	17.00	19.02	23.00
H	In	14.06	14.80	17.32	19.84	22.13	25.87	30.59	36.30	42.48	46.61	52.24	59.57	64.29	75.43
W	In	7.87	9.84	9.84	11.81	11.81	13.78	15.75	17.72	19.69	22.05	25.20	25.20	28.35	28.35

*Gear Operator Recommended

600LB CAST GATE DIMENSIONS (INCHES)

SIZE	NPS	2"	2 1/2"	3"	4"	5"	6"	8"	10"	12"	14"	16"	18"	20"	24"
L (RF-BW)	In	11.50	13.00	14.00	17.00	20.00	22.00	26.00	31.00	33.00	35.00	39.00	43.00	47.00	55.00
L (RTJ)	In	11.62	13.11	14.12	17.12	20.12	22.12	26.14	31.14	33.11	35.12	39.13	43.11	47.25	55.35
A	In	-	-	-	12.20	-	13.58	13.58	16.54	16.54	19.88	19.88	19.88	19.88	24.02
B	In	2.00	2.52	3.00	4.00	5.00	6.00	7.87	9.76	11.73	12.87	14.76	16.50	18.27	22.01
H	In	14.69	16.73	17.91	21.46	23.82	26.61	34.84	39.76	45.35	50.55	54.72	58.66	64.96	77.60
W	In	9.84	9.84	11.81	13.78	15.75	17.72	19.69	25.20	25.20	27.95	27.95	27.95	27.95	31.50

*Gear Operator Recommended

Cast Steel Gate

900LB CAST GATE DIMENSIONS (INCHES)

SIZE	NPS	2"	2 1/2"	3"	4"	6"	8"	10"	12"	14"	16"	18"	20"	24"
L (RF-BW)	In	14.50	16.50	15.00	18.00	24.00	29.00	33.00	38.00	40.50	44.50	48.00	52.00	61.00
L (RTJ)	In	14.61	16.61	15.12	18.11	24.13	29.13	33.11	38.11	40.87	44.88	48.50	52.52	61.73
A	In	-	-	-	-	13.58	16.54	16.54	19.88	19.88	24.02	24.02	24.02	24.02
B	In	1.89	2.24	2.87	3.86	5.75	7.52	9.37	11.10	12.24	13.98	15.75	17.48	20.98
H	In	15.75	19.29	19.29	21.46	29.13	35.63	41.02	45.67	49.21	52.36	59.21	65.67	75.98
W	In	9.84	11.81	11.81	13.78	18.11	24.02	24.02	27.95	27.95	31.50	31.50	31.50	31.50

*Gear Operator Recommended

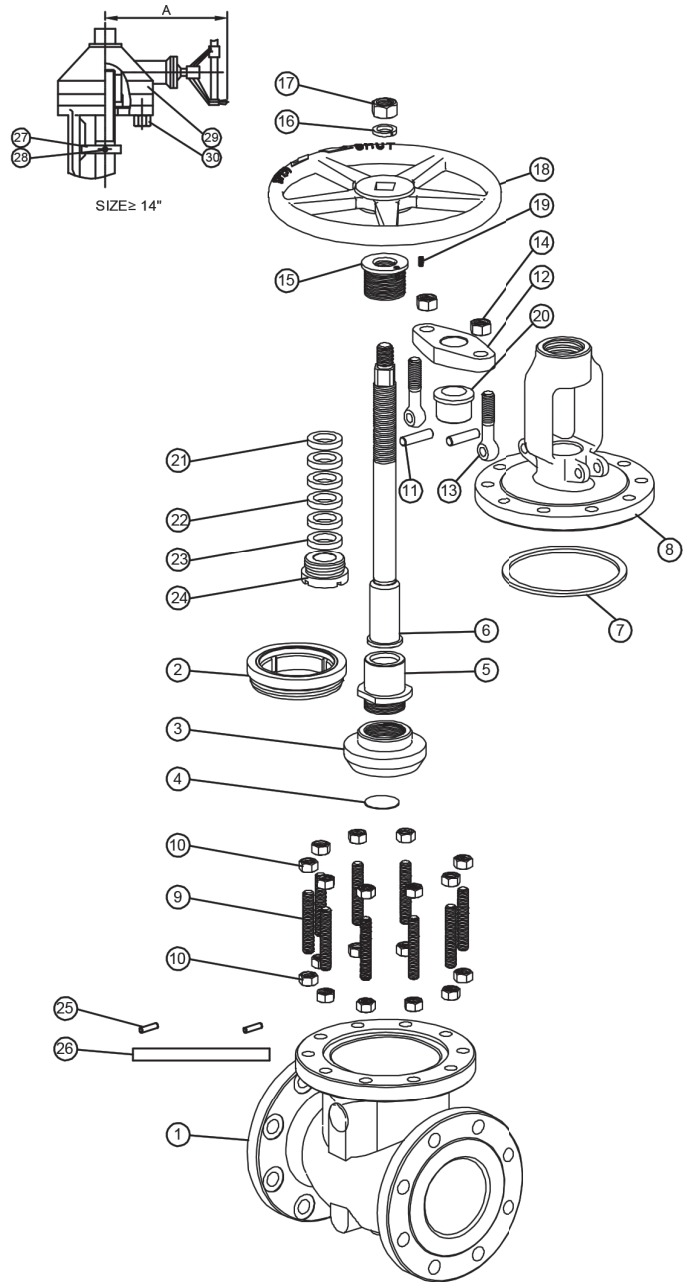
1500LB CAST GATE DIMENSIONS (INCHES)

SIZE	NPS	2"	2 1/2"	3"	4"	6"	8"	10"	12"
L (RF-BW)	In	14.50	16.50	18.50	21.50	22.75	32.75	39.00	44.50
L (RTJ)	In	14.61	16.61	18.62	21.62	28.00	33.11	39.37	45.12
A	In	-	-	-	-	13.58	16.54	19.88	19.88
B	In	1.89	2.24	2.76	3.62	5.35	7.01	8.74	10.35
H	In	15.75	19.29	19.69	22.05	31.89	36.54	42.52	45.67
W	In	11.81	11.81	13.78	19.69	18.11	24.02	27.95	27.95

*Gear Operator Recommended

OUTSIDE SCREW AND YOKE
 BOLTED BONNET
 WELDED SEATS
 LOOSE DISC
 RISING STEM AND NON-RISING HAND WHEEL
 NACE MR-0175

Cast Steel Globe

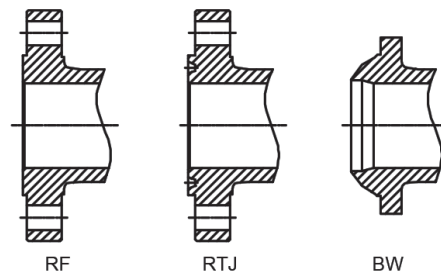


PARTS & MATERIAL

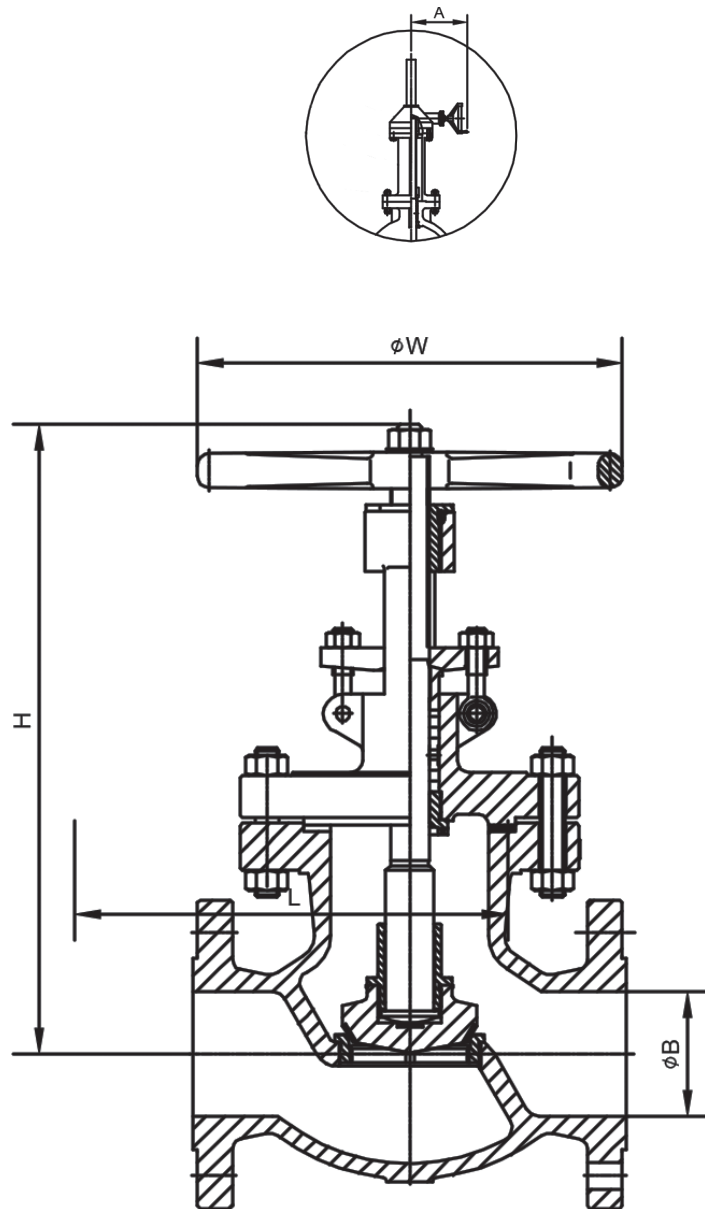
PART NO.	PART NAME	QTY.	MATERIAL
1	Body	1	ASTM A216 WCB
2	Seat Ring	1	ASTM A105
	Seat Ring Surface	1	HF(STL.6/CoCr-A)
3	Disc	1	ASTM A105
	Disc Seating Surface	1	13CR(ER410)
4	Thrust Plate	1	13CR
5	Disc Cover	1	ASTM A276 410
6	Bonnet	1	ASTM A182 F6a
7	Gasket	1	F304 or F316+Flexible Graphite
8	Bonnet	1	ASTM A216 WCB
9	Bolt	SEE TABLE	ASTM A193 B7
10	Nut	SEE TABLE	ASTM A194 2H
11	Pin	2	Carbon Steel
12	Gland Flange	1	ASTM A216 WCB
13	Eye Bolt	2	ASTM A193 B7
14	Eye Nut	2	ASTM A194 2H
15	Stem Nut	1	ASTM A139 D2
16	Gasket	1	Carbon Steel
17	Handwheel Nut	1	Carbon Steel
18	Handwheel	1	Ductile Iron
19	Screw	1	Carbon Steel
20	Gland	1	ASTM A276410
21	Packing	SEE TABLE	F304+Graphite+Cl.
22	Packing	SEE TABLE	Flexible Graphite+Cl.
23	Back Seat	1	ASTM A276 110
24	Rivet	2	AISI 304
25	Name Plate	1	AISI 304
26	Guide	1	Carbon Steel
27	Pin	1	Carbon Steel
28	Gear Box	1	Carbon Steel
29	Hex Bolt	1Set	Carbon Steel

APPLICABLE STANDARDS

BASIC DESIGN	ASME B16.34
FACE TO FACE DIMENSION	ASME B16.10
END FLANGE DIMENSIONS	ASME B16.5 ASME B16.25
TEST STANDARD	API 598



Cast Steel Globe



CV AND WEIGHTS

SIZE	NPS		2"	2 1/2"	3"	4"	5"	6"	8"	10"	12"	14"	16"	18"	20"	24"
WT	LB	150	49	68	88	130	165	212	355	613	1116	1144	1786	2293	2584	4480
		300	64	90	121	174	287	326	644	908	1252	1594	2363	2961	-	-
		600	77	128	113	258	-	606	935	1513	1981	3075	3858	-	-	-
		900	216	287	322	443	-	1030	1565	1918	2976	-	-	-	-	-
		1500	216	287	408	672	-	1486	1587	-	-	-	-	-	-	-
CV	CV	150	54.5	95	134.0	238.4	356.7	510.9	881.8	1380.5	1990.5	2430	3204.6	3756.5	4606.8	6686.3
		300	54.5	95	134	238.4	-	510.9	881.8	1380.5	1990.5	2430	3204	3756.5	-	-
		600	54.5	95	134.0	238.4	-	510.9	881.8	1380.5	1990.5	2430	3204	-	-	-
		900	54.5	95	134.0	238.4	-	510.9	881.8	1380.5	1990.5	-	-	-	-	-
		1500	54.5	95	134.0	238.4	-	510.9	881.8	-	-	-	-	-	-	-

Cast Steel Globe

150LB CAST GLOBE DIMENSIONS (INCHES)

SIZE	NPS	2"	2 1/2"	3"	4"	5"	6"	8"	10"	12"	14"	16"	18"	20"	24"
L (RF-BW)	In	8.00	8.50	9.50	11.50	14.00	16.00	19.50	24.50	27.50	31.00	36.00	38.50	38.50	51.00
L (RTJ)	In	8.50	9.00	10.00	12.00	14.50	16.50	20.00	25.00	28.00	31.50	36.50	39.02	39.02	51.50
A	In	-	-	-	12.20	-	12.20	13.58	16.54	16.54	19.88	19.88	19.88	19.88	24.02
B	In	2.00	2.52	3.00	4.00	5.00	6.00	8.00	10.00	12.00	13.25	15.25	17.25	19.25	23.25
H	In	12.83	13.78	13.94	17.72	17.99	18.86	21.65	25.43	32.84	35.63	39.37	45.67	43.31	51.97
W	In	7.87	9.84	9.84	11.81	11.81	13.78	15.75	17.72	22.05	27.95	27.95	27.95	27.95	31.50

*Gear Operator Recommended

300LB CAST GLOBE DIMENSIONS (INCHES)

SIZE	NPS	2"	2 1/2"	3"	4"	5"	6"	8"	10"	12"	14"	16"	18"
L (RF-BW)	In	10.50	11.50	12.50	14.00	15.75	17.50	22.00	24.50	28.00	33.00	34.00	38.50
L (RTJ)	In	11.14	12.13	13.11	14.61	16.38	18.11	22.64	25.12	28.62	33.62	34.65	39.09
A	In	-	-	-	-	-	13.58	16.54	16.54	19.88	19.88	19.88	19.88
B	In	2.00	2.52	3.00	4.00	5.00	6.00	8.00	10.00	12.00	13.25	15.25	17.01
H	In	12.80	15.35	16.14	19.92	20.55	22.24	31.89	32.17	34.29	36.22	41.54	45.67
W	In	7.07	9.84	9.84	11.81	13.78	15.75	19.69	22.05	22.05	27.95	27.95	27.95

*Gear Operator Recommended

600LB CAST GLOBE DIMENSIONS (INCHES)

SIZE	NPS	2"	2 1/2"	3"	4"	6"	8"	10"	12"	14"	16"
L (RF-BW)	In	11.50	13.00	14.00	17.00	22.00	26.00	31.00	33.00	35.00	39.00
L (RTJ)	In	11.62	13.11	14.13	17.13	22.13	26.14	31.12	33.11	35.11	39.13
A	In	-	-	-	13.58	16.54	19.88	19.88	19.88	21.02	24.02
B	In	2.00	2.52	3.00	4.00	6.00	7.88	9.76	11.73	12.88	14.76
H	In	14.76	19.02	18.39	21.54	29.69	32.87	34.13	39.45	44.96	47.64
W	In	9.84	11.81	13.78	15.75	19.60	27.95	27.95	27.95	31.50	31.50

*Gear Operator Recommended

Cast Steel Globe

900LB CAST GLOBE DIMENSIONS (INCHES)

SIZE	NPS	2"	2 1/2"	3"	4"	6"	8"	10"	12"
L (RF-BW)	In	14.50	16.50	15.00	18.00	24.00	29.00	33.00	38.00
L (RTJ)	In	14.61	16.61	15.12	18.11	24.13	29.13	33.11	38.11
A	In	-	-	-	16.54	19.88	19.88	19.88	24.02
B	In	1.87	2.24	2.87	3.90	5.75	7.48	9.37	11.10
H	In	18.31	22.99	22.83	28.74	31.18	33.70	38.43	45.39
W	In	13.78	15.75	15.75	24.02	27.95	27.95	27.95	31.50

*Gear Operator Recommended

1500LB CAST GLOBE DIMENSIONS (INCHES)

SIZE	NPS	2"	2 1/2"	3"	4"	6"	8"
L (RF-BW)	In	14.50	16.50	18.50	21.50	27.75	32.75
L (RTJ)	In	14.61	16.61	18.62	21.61	27.99	33.11
A	In	-	-	-	16.54	13.50	24.02
B	In	1.87	2.24	2.76	3.62	5.35	7.01
H	In	18.31	22.99	25.75	26.22	34.96	43.11
W	In	13.78	15.75	17.72	24.02	27.95	31.50

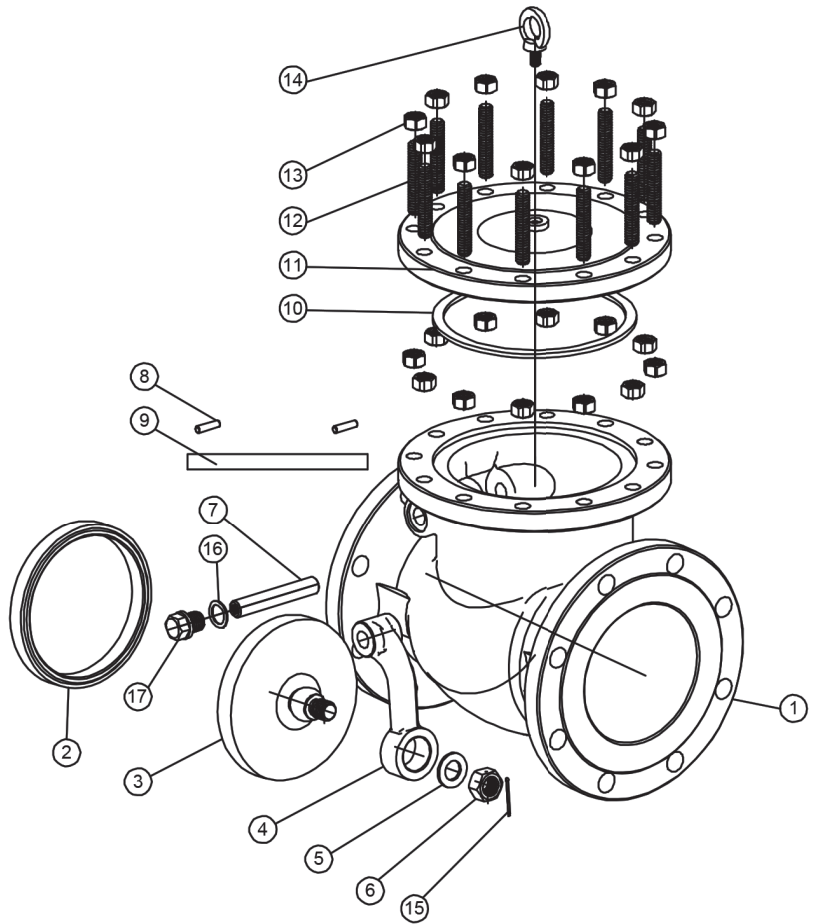
*Gear Operator Recommended

BOLTED COVER
 SWING TYPE
 INTEGRAL SEAT
 NACE MR-0175

Cast Steel Check

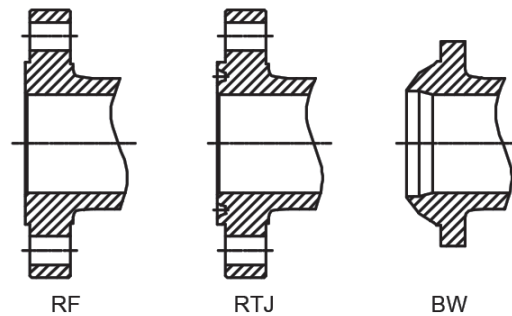
PARTS & MATERIAL

PART NO.	PART NAME	QTY.	MATERIAL
1	Body	1	ASTM A216 WCB
2	Seat Ring	1	ASTM A105
	Seat Ring Surface	1	HF(STL.6/CoCr-A)
3	Disc	1	ASTM A105
	Disc Seating Surface	1	13CR(ER410)
4	Hinge	1	ASTM A216 WCB
5	Washer	1	ASTM A276 410
6	Nut	1	ASTM A276 410
7	Pin	1	ASTM A276 410
8	Rivet	2	AISI 304
9	Name Plate	1	AISI 304
10	Gasket	1	F304 or F316+Flexible Graphite
11	Bonnet	1	ASTM A216 WCB
12	Bolt	SEE TABLE	ASTM A193 B7
13	Nut	SEE TABLE	ASTM A194 2H
14	Eye Bolt	1	Carbon Steel
15	Pin	1	AISI 304
16	Gasket	1	Soft Iron or F316
17	Plug	1	ASTM A276 410 or A182 F316

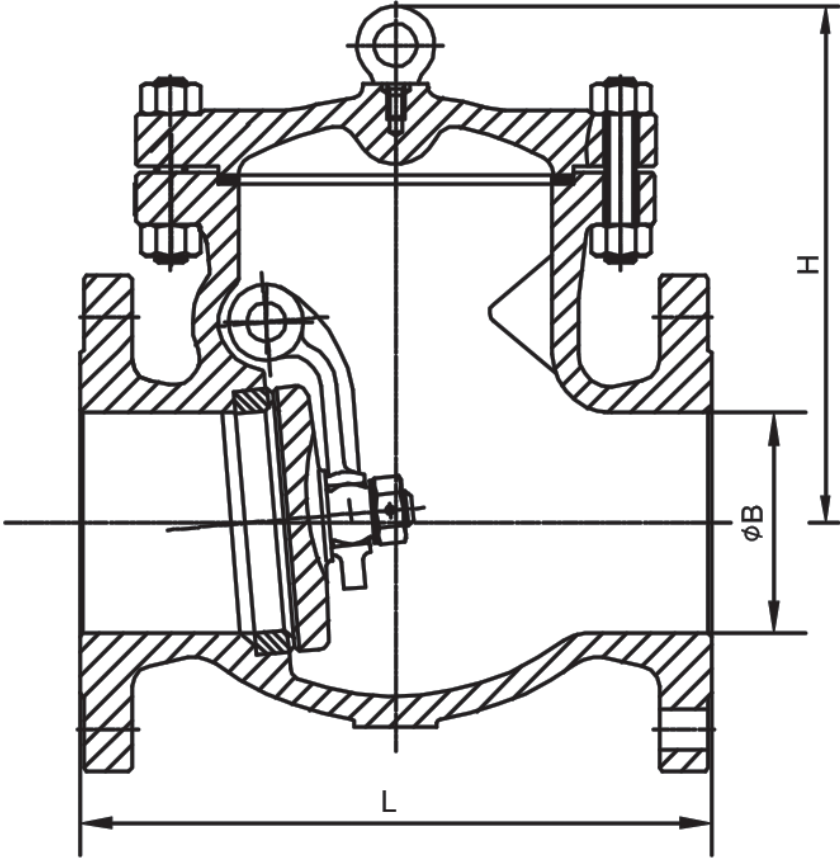


APPLICABLE STANDARDS

BASIC DESIGN	ASME B16.34
FACE TO FACE DIMENSIONS	ASME B16.10
END FLANGE DIMENSIONS	ASME B16.5 ASME B16.47 A&B (>26") ASME B16.25
TEST STANDARD	API 598



Cast Steel Check



CV AND WEIGHTS

SIZE	NPS		2"	2 1/2"	3"	4"	5"	6"	8"	10"	12"	14"	16"	18"	20"	24"
WT	LB	150	38	53	62	93	119	150	260	395	666	884	1124	1407	1580	2562
		300	46	62	88	132	185	238	406	657	937	1499	1852	2260	2910	4321
		600	80	93	100	185	362	441	794	1299	1713	2081	2690	3572	4672	6834
		900	135	163	179	318	-	628	1210	1687	2359	3307	4696	-	-	-
		1500	135	163	278	478	-	950	2183	3285	4343	-	-	-	-	-
CV	CV	150	105.8	123.2	235.0	391.1	151.1	875.1	1386.8	2171.2	2977.8	3635.5	4152.0	6161.2	7015.5	10217.5
		300	105.8	123.2	235.0	394.1	451.1	875.1	1386.8	2171.2	2977.8	3635.5	4152.0	6164.2	7015.5	10247.5
		600	105.8	123.2	235.0	394.1	451.1	875.1	1386.8	2171.2	2977.8	3635.5	4152.0	6164.2	7015.5	10247.5
		900	105.8	123.2	235.0	394.1	-	875.1	1386.8	2171.2	2977.8	3635.5	4152.0	-	-	-
		1500	105.8	123.2	235.0	394.1	-	875.1	1386.8	2171.2	2977.8	-	-	-	-	-

Cast Steel Check

150LB CAST SWING CHECK DIMENSIONS (INCHES)

SIZE	NPS	2"	2 1/2"	3"	4"	5"	6"	8"	10"	12"	14"	16"	18"	20"	24"
L (RF-BW)	In	8.00	8.50	9.50	11.50	13.00	14.00	19.50	24.50	27.50	31.00	34.00	38.50	38.50	51.00
L (RTJ)	In	8.50	9.00	10.00	12.00	13.50	14.50	20.00	25.00	28.00	31.50	34.50	39.00	39.00	51.50
B	In	2.00	2.52	3.00	4.00	5.00	6.00	8.00	10.00	12.00	13.25	15.25	17.25	19.25	23.25
H	In	5.28	6.06	6.61	8.90	10.31	10.55	13.31	15.75	18.43	20.59	21.85	23.66	24.65	28.54

*Gear Operator Recommended

300LB CAST SWING CHECK DIMENSIONS (INCHES)

SIZE	NPS	2"	2 1/2"	3"	4"	5"	6"	8"	10"	12"	14"	16"	18"	20"	24"
L (RF-BW)	In	10.50	11.50	12.50	14.00	15.75	17.50	21.00	24.50	28.00	33.00	34.00	38.50	40.00	53.00
L (RTJ)	In	11.14	12.13	13.11	14.61	16.38	18.11	21.62	25.12	28.62	33.62	34.61	39.13	40.75	53.86
B	In	2.00	2.52	3.00	4.00	5.00	6.00	8.00	10.00	12.00	13.25	15.25	17.01	19.02	22.99
H	In	5.95	6.22	7.09	9.96	10.98	11.85	14.13	17.44	19.65	22.76	24.10	26.61	28.31	30.67

*Gear Operator Recommended

600LB CAST SWING CHECK DIMENSIONS (INCHES)

SIZE	NPS	2"	2 1/2"	3"	4"	5"	6"	8"	10"	12"	14"	16"	18"	20"	24"
L (RF-BW)	In	11.50	13.00	14.00	17.00	20.00	22.00	26.00	31.00	33.00	35.00	39.00	43.00	47.00	55.00
L (RTJ)	In	11.62	13.11	14.13	17.13	20.12	22.13	26.14	31.14	33.11	33.31	39.13	43.11	47.25	55.39
B	In	2.00	2.52	3.00	4.00	5.00	6.00	7.88	9.76	11.73	12.87	14.78	16.50	18.27	22.01
H	In	6.02	7.58	7.40	10.43	13.58	14.17	18.58	21.58	23.82	24.33	27.87	31.42	30.51	32.99

*Gear Operator Recommended

Cast Steel Check

900LB CAST SWING CHECK DIMENSIONS (INCHES)

SIZE	NPS	2"	2 1/2"	3"	4"	6"	8"	10"	12"	14"	16"
L (RF-BW)	In	14.50	16.50	15.00	18.00	24.00	29.00	33.00	38.00	40.50	44.50
L (RTJ)	In	14.61	16.62	15.12	18.11	24.13	29.13	33.11	38.11	40.87	44.88
B	In	2.00	2.52	3.00	4.00	6.00	7.88	9.76	11.73	12.87	14.76
H	In	9.45	11.58	11.58	12.76	17.05	23.15	22.99	25.59	25.83	29.53

*Gear Operator Recommended

1500LB CAST GLOBE DIMENSIONS (INCHES)

SIZE	NPS	2"	2 1/2"	3"	4"	6"	8"	10	12
L (RF-BW)	In	14.50	16.50	18.50	21.50	27.75	32.75	39.00	45.50
L (RTJ)	In	14.61	16.62	18.62	21.62	27.99	33.11	39.37	45.12
B	In	2.00	2.52	2.76	3.62	5.35	7.01	8.71	10.35
H	In	9.45	11.58	12.80	15.83	18.43	20.88	22.05	25.59

*Gear Operator Recommended

Chicago Valves & Controls cast Steel GGC Parts Quantity

Valve	Size	LB	NO.8 Packing	NO.9 Packing	NO.21 Bolt	NO.22 Nut	NO.30 HexBolt
Gate	2"	150LB	2	4	4	8	
		300LB	2	5	10	20	
		600LB	2	5	10	20	
		900LB	2	5	10	20	
		1500LB	2	5	10	20	
Globe	2"	150LB	2	4	6	12	
		300LB	2	5	8	16	
		600LB	2	5	10	20	
		900LB	2	5	10	20	4
		1500LB			10	20	4
Check	2"	150LB			6	12	
		300LB			10	20	
		600LB			10	20	
		900LB			12	24	
		1500LB			12	24	
Gate	2.5"	150LB	2	4	8	16	
		300LB	2	5	10	20	
		600LB	2	5	8	16	
		900LB					
		1500LB					
Globe	2.5"	150LB	2	4	8	16	
		300LB	2	5	10	20	
		600LB	2	5	8	16	
		900LB					
		1500LB					
Check	2.5"	150LB			8	16	
		300LB			8	16	
		600LB			12	24	
		900LB			8	16	
		1500LB					
Gate	3"	150LB	2	4	8		
		300LB	2	5	10	20	4
		600LB	2	5	12	24	
		900LB	2	5	12	24	
		1500LB	2	5	12	24	4
Globe	3"	150LB	2	4	8	16	
		300LB	2	5	10	20	
		600LB	2	5	10	20	
		900LB					
		1500LB					
Check	3"	150LB					
		300LB					
		600LB					
		900LB					
		1500LB					

Chicago Valves & Controls cast Steel GGC Parts Quantity

Valve	Size	LB	NO.8 Packing	NO.9 Packing	NO.21 Bolt	NO.22 Nut	NO.30 HexBolt
Gate	4"	150LB	2	4	8	16	
		300LB	2	5	12	24	4
		600LB	2	5	12	24	4
		900LB	2	5	12	24	
		1500LB	2	5	12	24	4
Globe	4"	150LB	2	4	10	20	4
		300LB	2	5	10	20	
		600LB	2	5	10	20	
		900LB	2	5	12	24	8
		1500LB					
Check	4"	150LB			10	20	
		300LB			12	24	
		600LB			12	24	
		900LB			12	24	
		1500LB			14	28	
Gate	5"	150LB	2	4	10	20	
		300LB					
		600LB	2	5	12	24	
		900LB					
		1500LB					
Globe	5"	150LB	2	4	12	24	
		300LB	25		12	24	
		600LB					
		900LB					
		1500LB					
Check	5"	150LB			12	24	
		300LB			12	24	
		600LB			8	16	
		900LB					
		1500LB					
Gate	6"	150LB	2	4	10	20	
		300LB	2	5	16	32	4
		600LB	2	5	16	32	4
		900LB	2	5	16	32	
		1500LB	2	5	16	32	
Globe	6"	150LB	2	4	12	24	4
		300LB	2	5	16	32	4
		600LB	2	5	16	32	8
		900LB	2	5	16	32	8
		1500LB	2	5	14	28	8
Check	6"	150LB			12	24	
		300LB			16	32	
		600LB			14	28	
		900LB			12	24	
		1500LB			16	32	

Chicago Valves & Controls cast Steel GGC Parts Quantity

Valve	Size	LB	NO.8 Packing	NO.9 Packing	NO.21 Bolt	NO.22 Nut	NO.30 HexBolt
Gate	8"	150LB	2	4	12	24	
		300LB	2	5	16	32	4
		600LB	2	5	16	32	4
		900LB	2	5	18	36	8
		1500LB	2	5	16	32	
Globe	8"	150LB	2	4	12	24	4
		300LB	2	5	16	32	8
		600LB	2	5	16	32	8
		900LB					
		1500LB			16	32	8
Check	8"	150LB			12	24	
		300LB			16	32	
		600LB			16	32	
		900LB			16	32	
		1500LB			12	24	
Gate	10"	150LB	2	4	14	28	4
		300LB	2	5	22	44	
		600LB	2	5	20	40	8
		900LB	2	5	16	32	8
		1500LB	2	5	16	32	8
Globe	10"	150LB	2	4	16	32	8
		300LB	2	5	20	40	8
		600LB	2	5	20	40	8
		900LB					
		1500LB					
Check	10"	150LB			16	32	
		300LB			20	40	
		600LB			16	32	
		900LB			18	36	
		1500LB					

Chicago Valves & Controls cast Steel GGC Parts Quantity

Valve	Size	LB	NO.8 Packing	NO.9 Packing	NO.21 Bolt	NO.22 Nut	NO.30 HexBolt
Gate	12"	150LB	2	4	14	28	4
		300LB	2	5	20	40	4
		600LB	2	5	24	48	8
		900LB					
		1500LB	2	5	20	40	8
Globe	12"	150LB	2	4	16	32	8
		300LB	2	5	20	40	8
		600LB	2	5	20	40	8
		900LB					
		1500LB					
Check	12"	150LB			14	28	
		300LB			18	36	
		600LB			20	40	
		900LB			20	40	
		1500LB					
Gate	14"	150LB	2	4	16	32	4
		300LB	2	5	24	48	4
		600LB	2	5	24	48	8
		900LB					
		1500LB					
Globe	14"	150LB	2	4	16	32	8
		300LB	2	5	24	48	8
		600LB	2	5	24	48	8
		900LB					
		1500LB					
Check	14"	150LB			16	32	
		300LB			24	48	
		600LB			18	36	
		900LB					
		1500LB					

Chicago Valves & Controls cast Steel GGC Parts Quantity

Valve	Size	LB	NO.8 Packing	NO.9 Packing	NO.21 Bolt	NO.22 Nut	NO.30 HexBolt
Gate	16"	150LB	2	4	22	44	4
		300LB	2	5	20	40	8
		600LB	2	5	24	48	8
		900LB					
		1500LB					
Globe	16"	150LB	2	4	20	40	8
		300LB	2	5	24	48	8
		600LB	2	5	24	48	8
		900LB					
		1500LB					
Check	16"	150LB			20	40	
		300LB			24	48	
		600LB			24	48	
		900LB					
		1500LB					
Gate	18"	150LB	2	4	18	32	8
		300LB	2	5	28	56	8
		600LB					
		900LB					
		1500LB					
Globe	18"	150LB					
		300LB					
		600LB					
		900LB					
		1500LB					
Check	18"	150LB			20	40	
		300LB			24	48	
		600LB			24	48	
		900LB					
		1500LB					

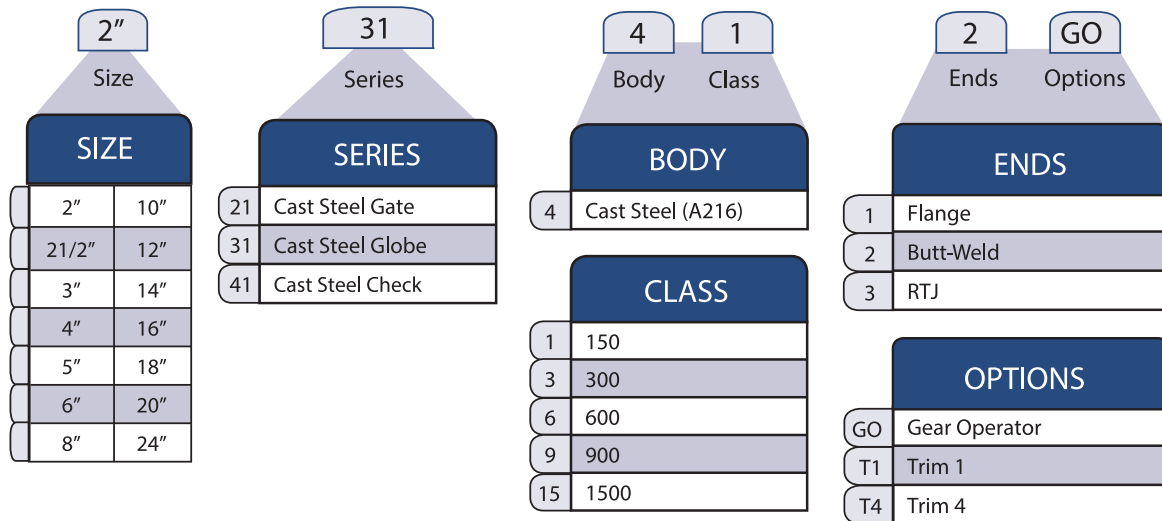
Chicago Valves & Controls cast Steel GGC Parts Quantity								
Valve	Size	LB	NO.8 Packing	NO.9 Packing	NO.21 Bolt	NO.22 Nut	NO.30 HexBolt	
Gate	20"	150LB	2	4	18	36		
		300LB	2	5	28	56	8	
		600LB						
		900LB						
		1500LB						
Globe	20"	150LB						
		300LB						
		600LB						
		900LB						
		1500LB						
Check	20"	150LB			22	44		
		300LB			24	48		
		600LB			24	48		
		900LB						
		1500LB						
Gate	24"	150LB	2	4	20	40	8	
		300LB	2	5	24	48	8	
		600LB	2	5	24	48	8	
		900LB						
		1500LB						
Globe	24"	150LB	2	4	24	48	8	
		300LB						
		600LB						
		900LB						
		1500LB						
Check	24"	150LB			24	48		
		300LB			24	48		
		600LB			24	48		
		900LB						
		1500LB						

PRESSURE-TEMPERATURE RATINGS CAST STEEL GATE, GLOBE & CHECK

A 216 Gr. WCB ⁽¹⁾

TEMP. °F	WORKING PRESSURE BY CLASS, psig						
	150	300	600	900	1500	2500	4500
-20 to100	285	740	1,480	2,220	3,705	6,170	11,110
200	260	680	1,360	2,035	3,395	5,655	10,185
300	230	655	1,310	1,965	3,270	5,450	9,815
400	200	635	1,265	1,900	3,170	5,280	9,505
500	170	605	1,205	1,810	3,015	5,025	9,040
600	140	570	1,135	1,705	2,840	4,730	8,515
650	125	550	1,100	1,650	2,745	4,575	8,240
700	110	530	1,060	1,590	2,665	4,425	7,960
750	95	505	1,015	1,520	2,535	4,230	7,610
800	80	410	825	1,235	2,055	3,430	6,170
850	65	320	640	955	1,595	2,655	4,785
900	50	230	460	690	1,150	1,915	3,455
950	35	135	275	410	685	1,145	2,055
1,000	20	85	170	255	430	715	1,285

HOW TO ORDER



Toll-Free (833) 831-2312

Local (312) 637-3557

Fax: (312) 637-3543

E-Mail: sales@chicagovalves.com

www.chicagovalves.com

885 Cambridge Dr.

Elk Grove Village, Illinois 60007 U.S.A.