

Chicago Valves & Controls



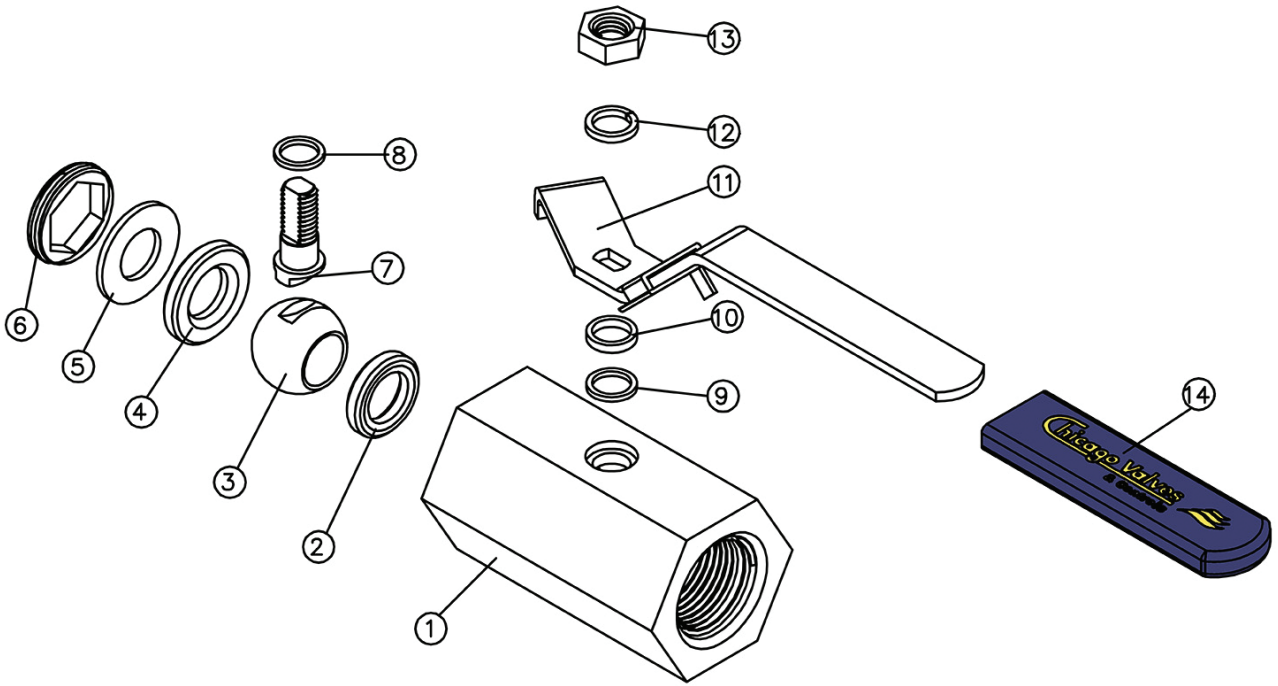
SERIES 10

UNIBODY DESIGN THREADED

BALL VALVE

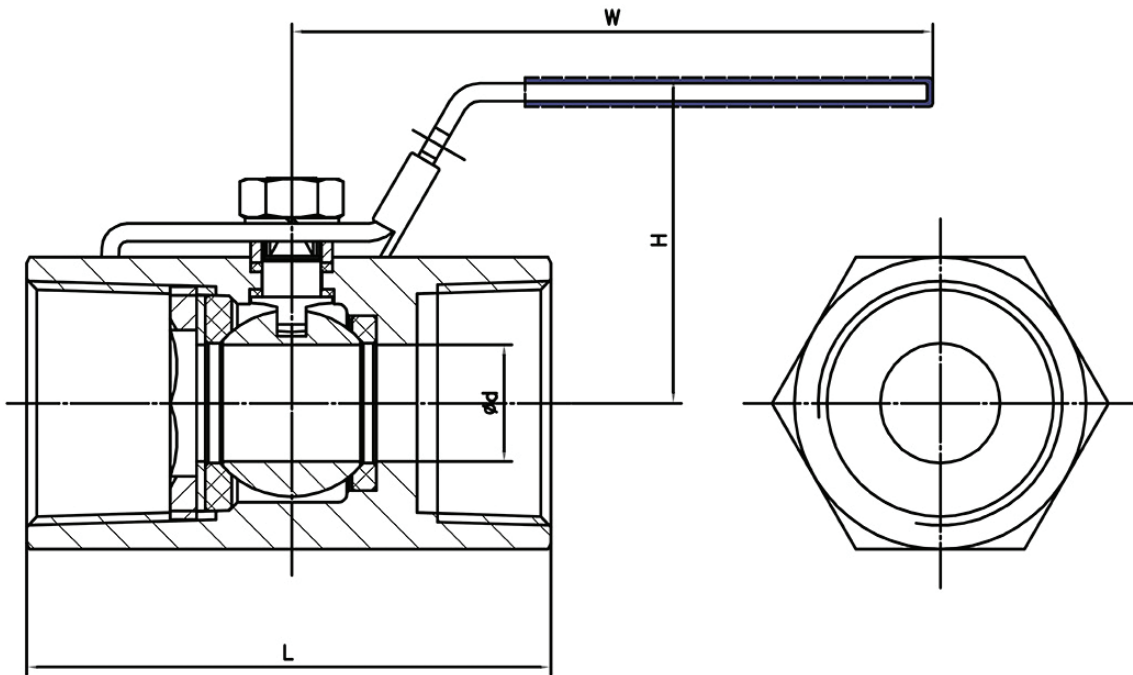
2000 CWP
 CARBON STEEL ASTM A-105
 BLOW-OUT PROOF STEM
 VACUUM SERVICE TO 29" Hg
 STEAM RATING 150PSI WSP
 LOCKABLE LEVER HANDLE
 NACE MR1075
 ANTI-STATIC DESIGN

Series 10



PARTS & MATERIAL

PART NO.	PART NAME	QTY.	MATERIAL
1	Body	1	Forged Steel A105
2	Seat	2	RTFE
3	Ball	1	304 Stainless Steel
4	Washer	1	304 Stainless Steel
5	Seat Retainer	1	304 Stainless Steel
6	Stem	1	304 Stainless Steel
7	Thrust Washer	1	Carbon Fill PTFE
8	Stem Packing	1	PTFE
9	Gland Packing	1	304 Stainless Steel
10	Handle	1	300 Series Stainless Steel
11	Spring Washer	1	300 Series Stainless Steel
12	Handle Nut	1	300 Series Stainless Steel
13	Handle Sleeve	1	PVC



DIMENSIONS (INCHES)

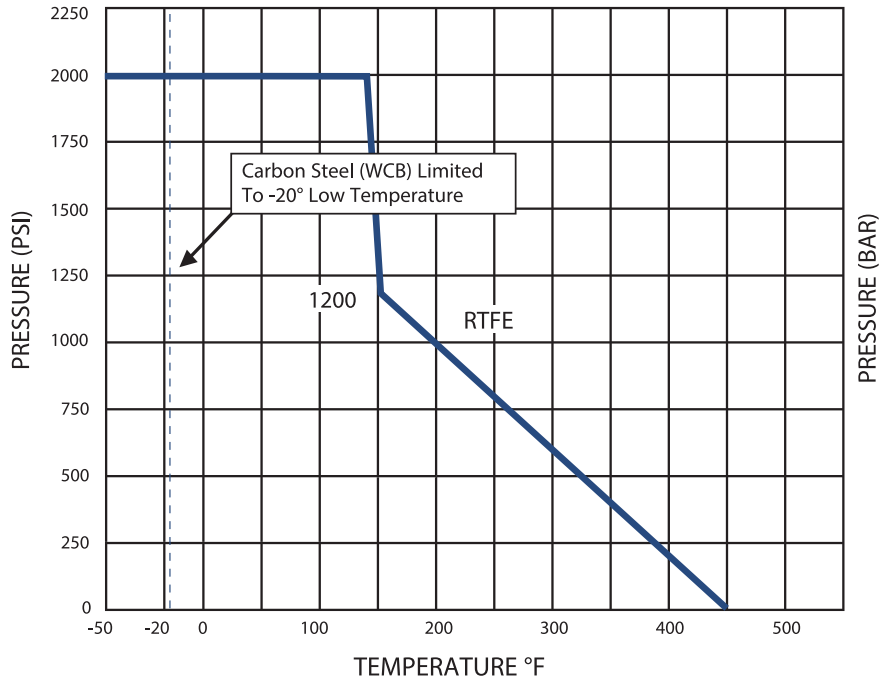
SIZE	d	L	H	W
1/4"	0.20	1.65	1.97	3.94
3/8"	0.28	2.05	2.05	3.94
1/2"	0.35	2.44	2.17	4.72
3/4"	0.74	2.76	2.28	4.72
1"	0.59	3.39	2.36	5.32
1-1/4"	0.79	3.66	2.44	5.91
1-1/2"	0.98	4.02	2.56	5.91
2"	1.26	4.49	2.68	6.30

APPLICABLE STANDARDS

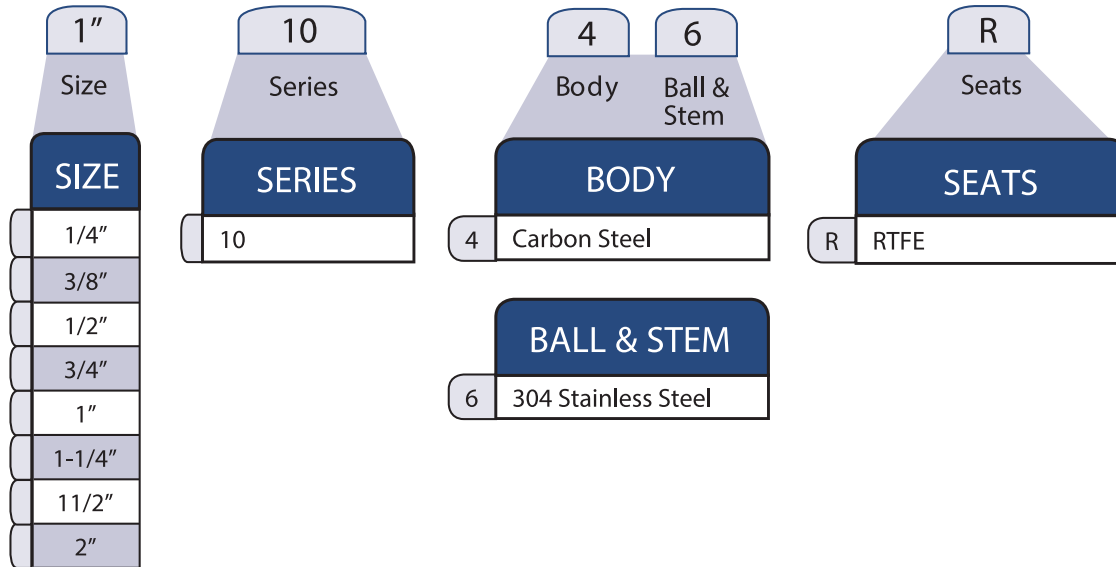
NACE MR-1075	
THREADED ENDS	ASME B16.11

SIZE	CV (GPM)	WEIGHT (LBS)
1/4"	2	0.4
3/8"	2.5	0.5
1/2"	5	0.7
3/4"	10	1
1"	15	1.9
1 1/4"	30	3.1
1 1/2"	50	3.5
2"	70	6.0

PRESSURE-TEMPERATURE RATINGS SERIES 10



HOW TO ORDER



Toll-Free (833) 831-2312

Local (312) 637-3557

Fax: (312) 637-3543

E-Mail: sales@chicagovalves.com

www.chicagovalves.com

885 Cambridge Dr.

Elk Grove Village, Illinois 60007 U.S.A.