

Chicago Valves & Controls



SERIES 81/FS81

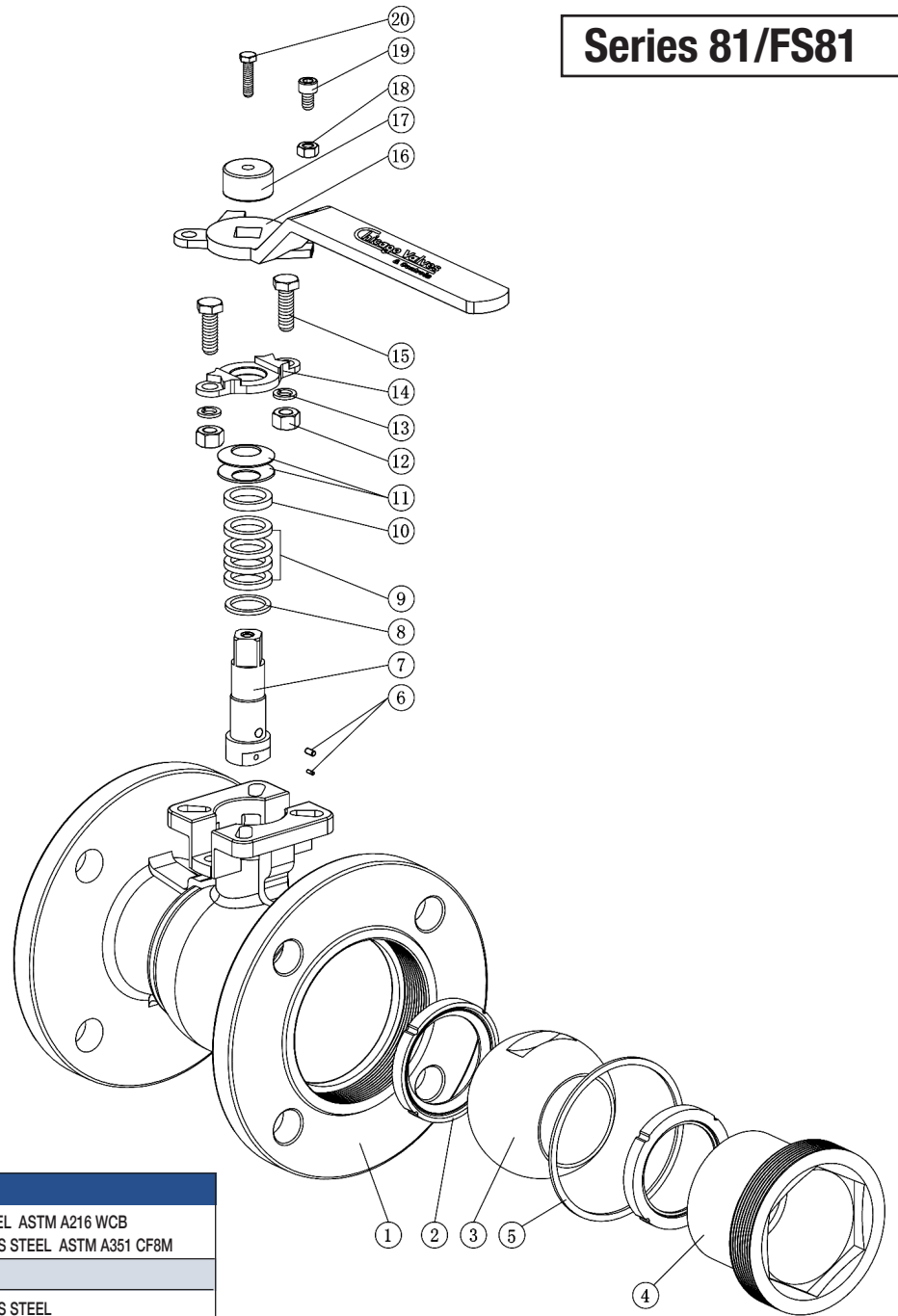
FLANGED STANDARD PORT

BALL VALVE CLASS 150

1" - 4" 150#

Series 81/FS81

CARBON STEEL - AST A216 WCB
 316 STAINLESS STEEL - ASTM C8FM
 ANTI-STATIC DEVICE
 LIVE LOADED STEM
 DIRECT MOUNTED PAD
 ELEVATED PAD ALLOWED TO ADJUST
 GLAND PACKING FLANGE WHILE
 REMOVING ACTUATOR OR HANDLE
 NACE MR0175



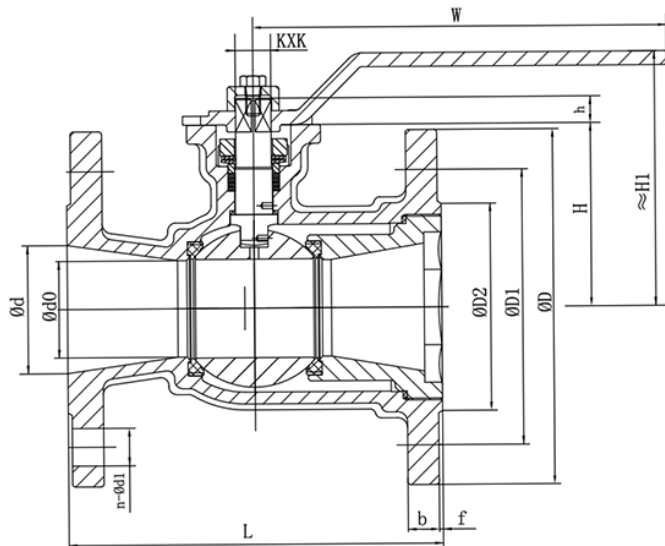
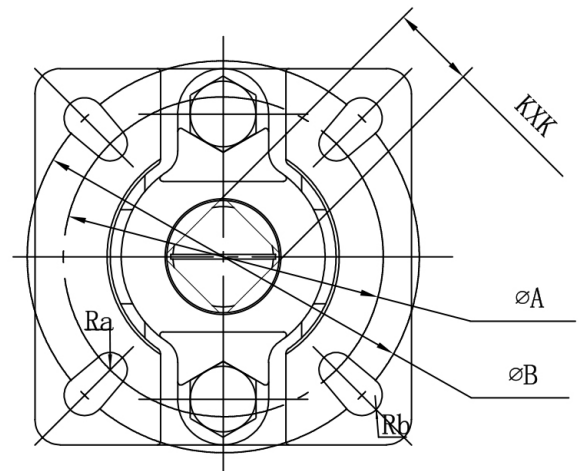
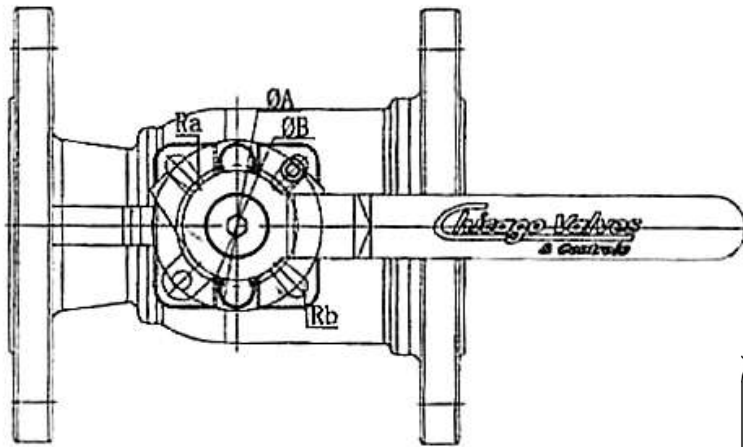
PARTS & MATERIAL

PART NO	PART NAME	QTY	MATERIAL
1	BODY	1	CARBON STEEL ASTM A216 WCB 316 STAINLESS STEEL ASTM A351 CF8M
2	SEAT	2	RTFE
3	BALL	1	316 STAINLESS STEEL
4	SEAT RETAINER	1	AS #1 (BODY)
5	BODY SEAL	1	PTFE, GRAPHITE
6	ANTI-STATIC BALL	2	300 SERIES STAINLESS STEEL HARD DRAWN STAINLESS STEEL
7	STEM	1	316 STAINLESS STEEL
8	THRUST BEARING	1	XN (CARBON FILL TFM)
9	STEM PACKING	4	TFM, GRAPHITE
10	GLAND PACKING	1	300 SERIES STAINLESS STEEL
11	BELLEVILLE WASHER	2	300 SERIES STAINLESS STEEL
12	GLAND FLANGE NUT	2	300 SERIES STAINLESS STEEL
13	SPRING WASHER	2	300 SERIES STAINLESS STEEL
14	GLAND FLANGE	1	304 SERIES STAINLESS STEEL
15	GLAND FLANGE BOLT	2	300 SERIES STAINLESS STEEL
16	HANDLE	1	304 SERIES STAINLESS STEEL
17	STEM COVER	1	304 SERIES STAINLESS STEEL
18	NUT STOPPER	1	300 SERIES STAINLESS STEEL
19	BOLT STOPPER	1	300 SERIES STAINLESS STEEL
20	STEM COVER BOLT	1	300 SERIES STAINLESS STEEL

Series 81/FS81

DIMENSIONS (INCHES)

NOMINAL DIAMETER	L	d	d0	D2	D1	D	b	f	n-Ød1	H	h	H1	W	Ra	Rb	KXK	A	B
1"	5.00	0.98	0.79	2.01	3.13	4.33	0.41	0.08	4-Ø0.63	2.36	0.37	3.62	7.09	0.12	0.14	0.43X0.43	F04	F05
1½"	6.50	1.58	1.26	2.87	3.87	4.92	0.50	0.08	4-Ø0.63	2.99	0.43	4.41	8.27	0.14	0.17	0.55X0.55	F05	F07
2"	7.00	1.97	1.58	3.62	4.75	5.91	0.56	0.08	4-Ø0.75	3.35	0.55	4.76	8.27	0.14	0.17	0.55X0.55	F05	F07
2½"	7.48	2.56	1.97	4.13	5.50	7.09	0.63	0.08	4-Ø0.75	3.66	0.55	5.23	10.24	0.17	0.22	0.67X0.67	F07	F10
3"	7.99	3.15	2.56	5.00	6.00	7.48	0.69	0.08	4-Ø0.75	4.41	0.67	6.22	12.99	0.17	0.22	0.67X0.67	F07	F10
4"	9.02	3.94	3.15	9.06	7.50	9.06	0.88	0.08	8-Ø0.75	7.92	0.67	6.73	12.99	0.17	0.22	0.67X0.67	F07	F10

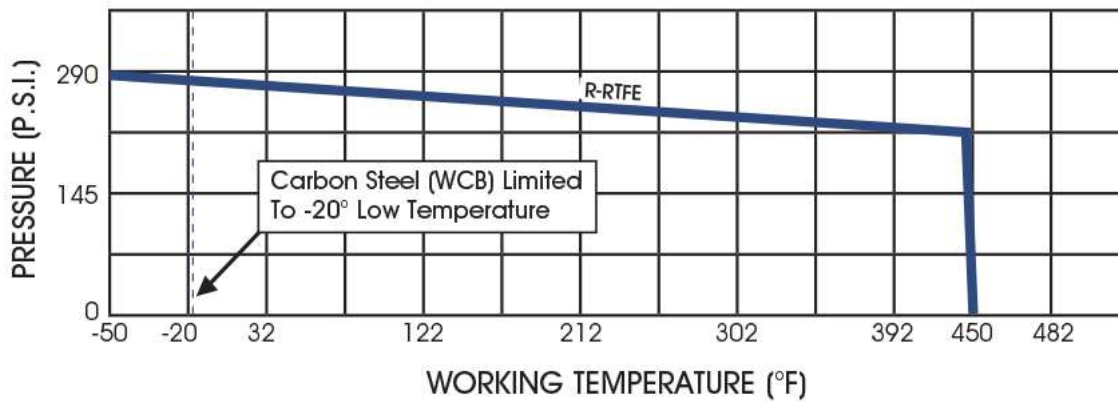


APPLICABLE STANDARDS

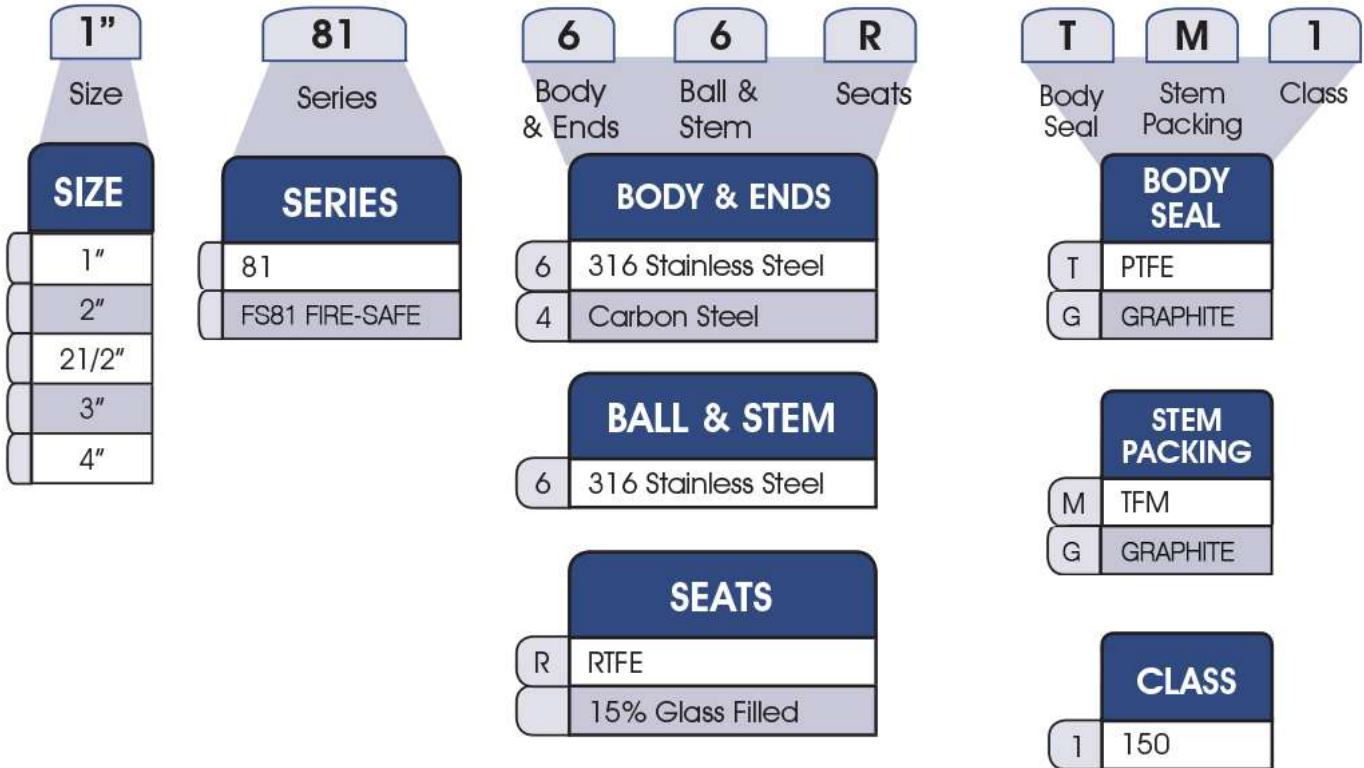
BASIC DESIGN	ASME B16.34
FACE TO FACE DIMENSION	ASME B16.10
FLANGE DIMENSIONS	ASME B16.5
TEST	API 598
MOUNTED PADS DIEM	ISO 5211
FIRE SAFE TEST	API 607 6 th EDITION
NACE	MR 0175

SIZE	CV (GPM)	WEIGHT IN LBS.
1"	25	4.50
1½"	82	9.00
2"	120	15.00
2½"	240	21.50
3"	350	33.50
4"	720	52.00

PRESSURE-TEMPERATURE RATINGS SERIES 81



HOW TO ORDER



Chicago Valves
& Controls



Toll-Free (833) 831-2312

Local (312) 637-3557

Fax: (312) 637-3543

E-Mail: sales@chicagovalves.com

www.chicagovalves.com

885 Cambridge Dr.

Elk Grove Village, Illinois 60007 U.S.A.