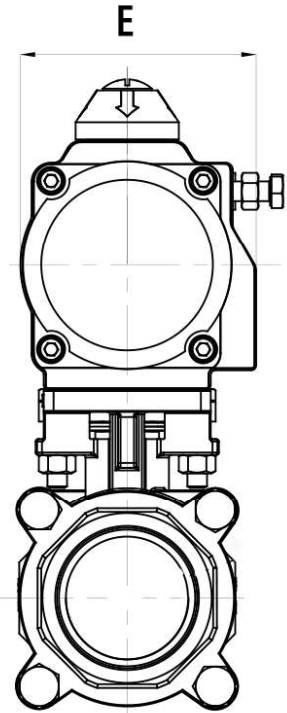
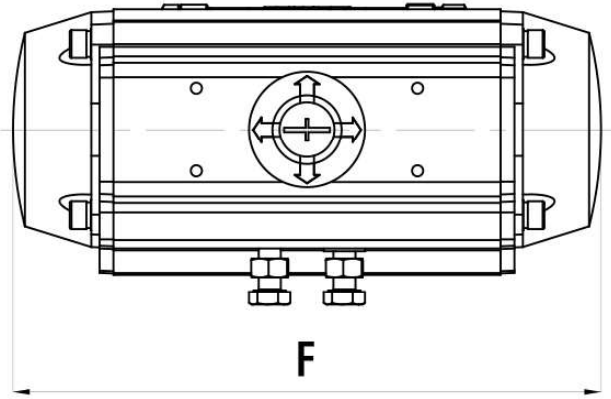
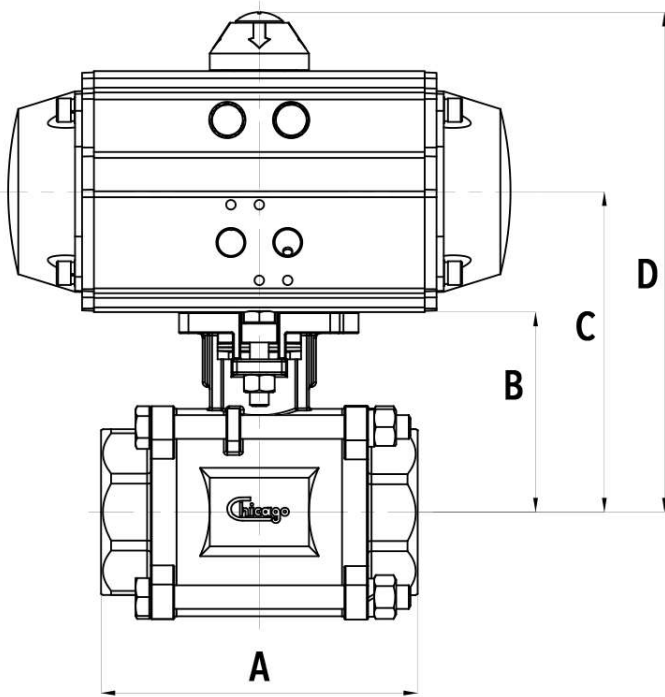


AUTOMATED BALL VALVES DIMENSIONS

SERIES 35 AND CXL PNEUMATIC ACTUATOR, DOUBLE ACTING & SPRING RETURN - 60 PSI AIR SUPPLY



DOUBLE ACTING

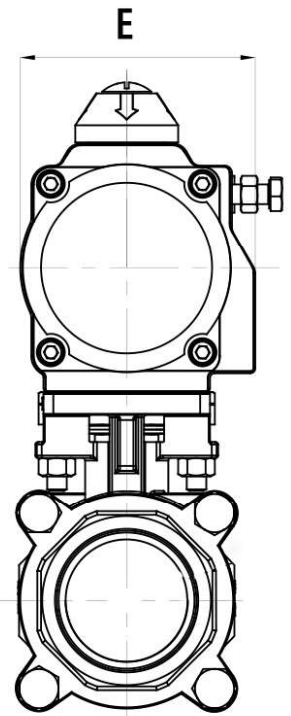
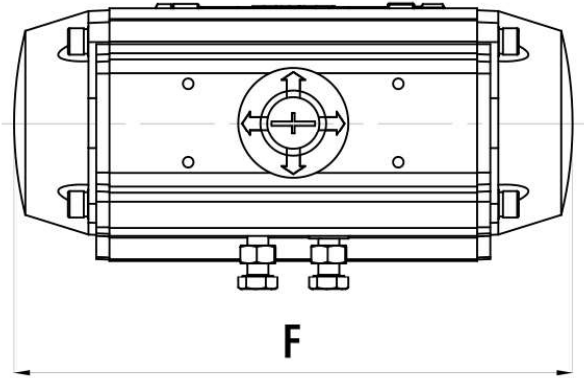
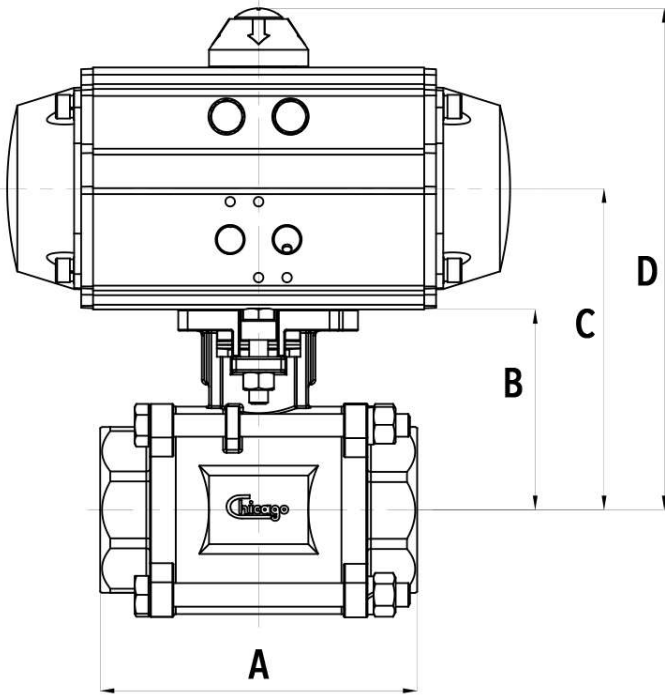
	A	B	C	D	E	F	ACTUATOR MODEL
1/2"	0.59	1.44	2.80	5.06	2.73	5.83	050
3/4"	0.79	1.69	3.03	5.27	2.73	5.83	050
1"	0.98	2.17	3.84	6.42	3.23	6.26	063
1 1/4"	1.26	2.40	4.41	7.32	3.23	6.26	063
1 1/2"	1.50	2.95	4.96	7.87	3.78	8.39	075
2"	1.97	3.35	5.35	8.27	3.78	8.39	075
2 1/2"	2.56	4.76	7.26	10.71	4.13	9.80	085
3"	3.15	5.16	7.66	11.10	4.80	10.67	100
4"	3.94	5.91	8.78	12.80	5.55	12.40	115

SPRING RETURN

	A	B	C	D	E	F	ACTUATOR MODEL
1/2"	0.59	1.44	2.80	5.06	2.73	5.83	050
3/4"	0.79	1.64	3.37	5.94	3.23	6.26	063
1"	0.98	2.17	3.84	7.09	3.78	8.39	075
1 1/4"	1.26	2.40	4.41	7.32	3.78	8.39	075
1 1/2"	1.50	2.95	5.22	8.38	4.13	9.80	085
2"	1.97	3.35	5.62	8.78	4.13	9.80	085
2 1/2"	2.56	4.76	7.61	12.04	5.55	12.40	115
3"	3.15	5.16	8.01	12.44	5.55	12.40	115
4"	3.94	5.91	9.00	13.39	5.95	13.62	125

AUTOMATED BALL VALVES DIMENSIONS

SERIES 35 AND CXL PNEUMATIC ACTUATOR, DOUBLE ACTING & SPRING RETURN - 80 PSI AIR SUPPLY



DOUBLE ACTING

	A	B	C	D	E	F	ACTUATOR MODEL
1/2"	0.59	1.44	2.80	5.06	2.73	5.83	050
3/4"	0.79	1.69	3.03	5.27	2.73	5.83	050
1"	0.98	2.17	3.84	6.42	3.23	6.26	063
1 1/4"	1.26	2.40	4.41	7.32	3.23	6.26	063
1 1/2"	1.50	2.95	4.96	7.87	3.78	8.39	075
2"	1.97	3.35	5.35	8.27	3.78	8.39	075
2 1/2"	2.56	4.76	7.26	10.19	4.13	9.80	085
3"	3.15	5.16	7.43	11.59	4.13	9.80	085
4"	3.94	5.91	8.41	11.85	4.80	10.67	100

SPRING RETURN

	A	B	C	D	E	F	ACTUATOR MODEL
1/2"	0.59	1.44	2.80	5.06	2.73	5.83	050
3/4"	0.79	1.69	3.36	5.94	3.23	6.26	063
1"	0.98	2.17	3.84	6.42	3.23	6.26	063
1 1/4"	1.26	2.40	4.41	7.32	3.78	8.39	075
1 1/2"	1.50	2.95	4.96	7.87	3.78	8.39	075
2"	1.97	3.35	5.62	10.19	4.13	9.80	085
2 1/2"	2.56	4.76	7.26	10.70	4.80	10.67	100
3"	3.15	5.16	8.01	12.44	5.55	12.40	115
4"	3.94	5.91	8.76	13.19	5.55	12.40	115