

# SWING CHECK VALVES

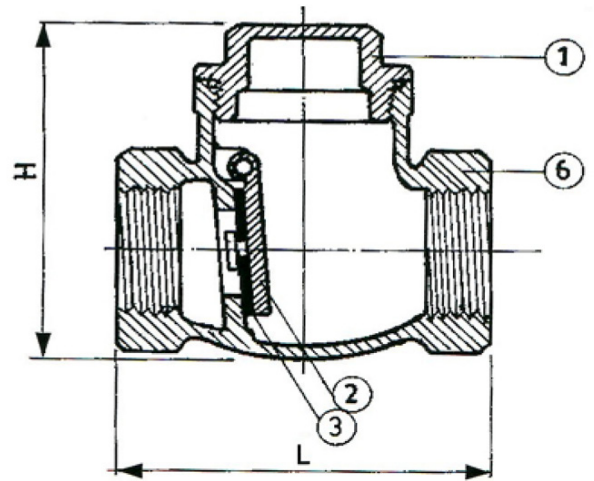
## Full Floating Clapper Assembly



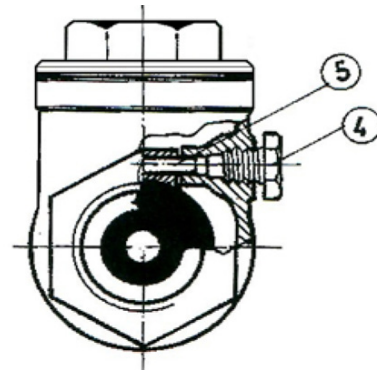
CHECK VALVE RUBBER SEAT 200# PSI

- Built for a tight seal on backflow
  - Water, oil & gas - 200 PSI
  - 1/2" to 2" NPT
  - Cast Brass Construction
- NOT recommended for pulsating or vibrating service

NO.	DESCRIPTION	MATERIAL
1	Cap	Brass (ASTM-UNS B584 C857 10)
2	Disc	Brass (ASTM-UNS B584 C857 10)
3	Disc Holder	Brass (ASTM-UNS B584 C857 10)
4	Seat Packing	RUBBER NBR (SAE NO 1052)
5	Pin	Brass (ASTM-UNS B584 C857 10)
6	Body	Brass (ASTM-UNS B584 C857 10)



ITEM #	SIZE	H	L
6520105A	1/2"	1.44"	2.09"
6520110A	3/4"	1.58"	2.36"
6520115A	1"	1.79"	2.62"
6520120A	1-1/4"	2.05"	3.19"
6520125A	1-1/2"	2.19"	3.55"
6520130A	2"	2.74"	4.22"



System No.		Location		Spec Section		Paragraph	
Submitted By		Date		Approved		Date	