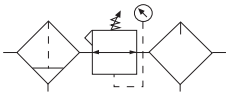


Combination C26

= "Most Popular"

B

Filters, Regulators, Lubricators



C26-02-000

Features

- Components Integrated into Single Unit
- Metal Bowl with Sight Gauge Option
- Pressure Gauge Standard
- Integral Plastic Bowl / Bowl Guard
- Quick Disconnect Bowl
- Standard Self-relieving

Specifications

Flow Capacity*	1/4	35.0 SCFM (16.5 dm ³ /s)
	3/8	60.0 SCFM (28.3 dm ³ /s)
	1/2	128 SCFM (60.4 dm ³ /s)

Gauge Ports (2)	NPT / BSPP-G	1/4
-----------------	--------------	-----

Port Threads	NPT	1/4, 3/8, 1/2
--------------	-----	---------------

Pressure & Temperature Ratings –		
Plastic Bowl		0 to 150 PSIG (0 to 10.3 bar)
		32°F to 125°F (0°C to 52°C)
Metal Bowl		0 to 200 PSIG (0 to 13.8 bar)
		32°F to 175°F (0°C to 80°C)

Standard Filtration	5 Micron
---------------------	----------

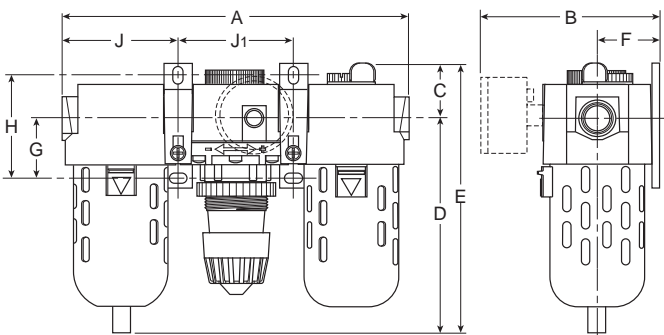
Weight	10.5 lb. (4.7 kg)
--------	-------------------

* Inlet pressure 150 PSIG (10.3 bar). Pressure drop 5 PSID (0.3 bar).

"F" Series Filters, Type "A" 5 micron elements: All Wilkerson Type "A" 5 micron elements **meet or exceed ISO Class 3** for maximum particle size and concentration of solid contaminants.

Materials of Construction


Body	Zinc
Bonnet, Knob	PBT
Bowls –	
Plastic Bowl	Polycarbonate
Metal Bowl	Zinc
Diaphragm	Nitrile / Zinc
Filter Element	Polypropylene
Seals –	
Plastic Bowl	Nitrile
Metal Bowl	Fluorocarbon
Sight Dome	Nylon
Springs	Steel
Suggested Lubricant	Airline Oil F442001
Valve Assembly	Brass / Nitrile / Acetal



Dimensions

Model	Inches (mm)	A	B	C	D	E	F	G	H	J	J ₁
Standard Unit with End Blocks C26-XX-000		12.35 (314)	4.80 (122)	1.60 (41)	6.40 (162.6)	8.00 (203)	1.50 (38)	1.74 (44)	2.98 (75.7)	6.17 (157)	3.35 (85.1)

Note: For Kits and Repair Parts, see individual pages for Filters, Regulators, and Lubricators.

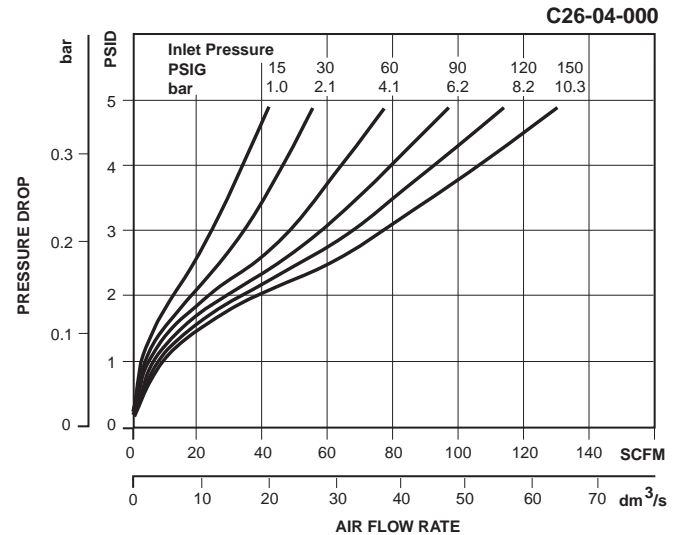
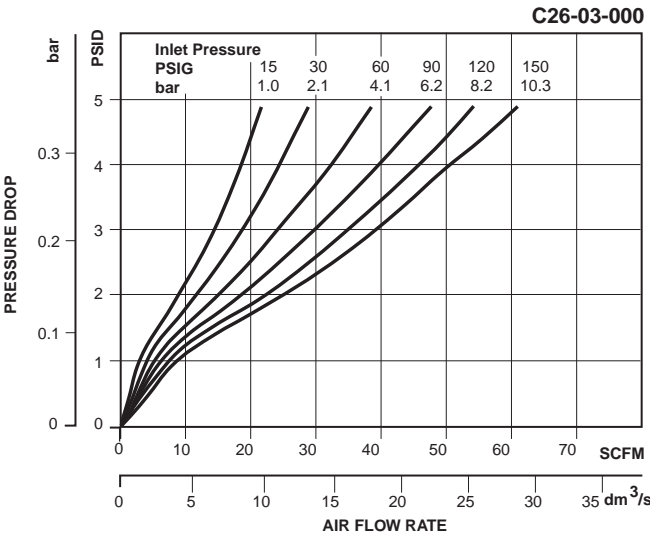
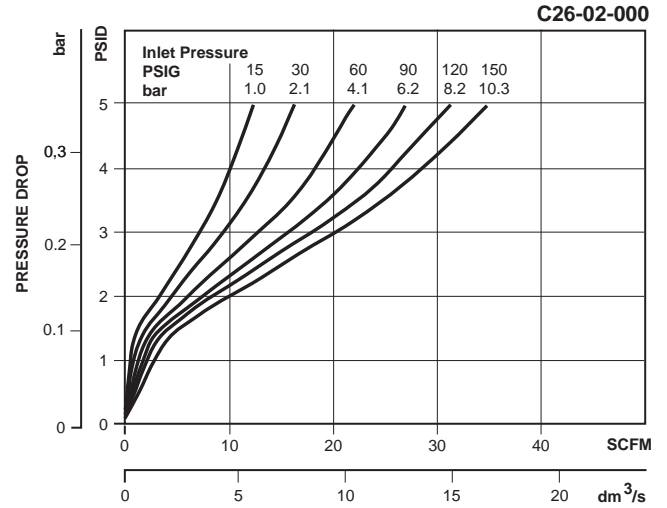
 WARNING
Product rupture can cause serious injury. Do not connect regulator to bottled gas. Do not exceed maximum primary pressure rating.

CAUTION:

REGULATOR PRESSURE ADJUSTMENT – The working range of knob adjustment is designed to permit outlet pressures within their full range. Pressure adjustment beyond this range is also possible because the knob is not a limiting device. This is a common characteristic of most industrial regulators, and limiting devices may be obtained only by special design.

For best performance, regulated pressure should always be set by increasing the pressure up to the desired setting.

 = "Most Popular"



B
Filters, Regulators, Lubricators

Ordering Information

Model Type	Port Size	Plastic Bowl / Bowl Guard with End Blocks 0 to 125 PSIG (0 to 8.5 bar)	Metal Bowl / Sight Gauge 0 to 125 PSIG (0 to 8.5 bar)
C26	1/4	C26-02-000	C26-02-G00
	3/8	C26-03-000	C26-03-G00
	1/2	C26-04-000	C26-04-G00

Options - To order an option supplied with the unit model, add the appropriate coded suffix letter in the designated position of the model number.