

Butterfly Valve

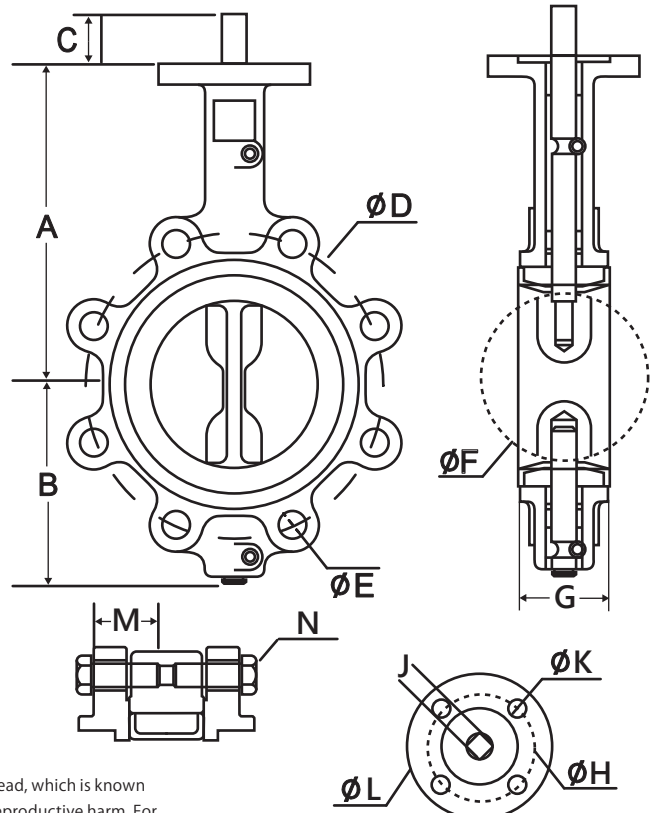


Lug Style • Epoxy-Coated Ductile Iron Body • Stainless Steel Disc



BFV-Lug

CRN# 0C16661.2



Features

- Designed for commercial and industrial applications up to 225 PSI
- Easily accepts actuator with ISO 5211 mounting flange
- Available in EPDM, PTFE, Buna-N, or Viton® seats
- Seat to flange seal eliminates the need for flange gaskets
- Series 600 Lug bodies are bidirectional for dead end service
- Epoxy coated finish
- Ideal for mounting pneumatic/electrical actuators
- Square stem for direct mount
- Wetted surfaces contain less than .25% lead content

Approvals

- API 609
- MSS SP-67
- NSF 61 / NSF 372*



WARNING: This product can expose you to chemicals including lead, which is known to the State of California to cause cancer, birth defects or other reproductive harm. For more information go to www.P65Warnings.ca.gov.

Material Specifications

No.	Part	Materials
1	Body	Ductile Iron - Epoxy Coated
2	Seat	*Varies*
3	Lower Shaft*	410 Stainless Steel
4	Disc	CF8M Stainless Steel
5	Upper Shaft	410 Stainless Steel
6	Locating Pin (2)	Carbon Steel
7	Bushing (3)	PTFE
8	O-ring (2)	EPDM

Note: 2" - 12" only, 14" - 36" are pin through shaft style

Seat Temperature Ranges

	Size	Buna-N	EPDM*	Viton	PTFE
Temperature range (° F)	2" - 36"	10 to 180	-30 to 250	10 to 275	-20 to 250
Inline service (psi)	2" - 12"	225	225	225	225
	14" - 36"	150	150	150	150
Dead end service w/down stream flange (psi)	2" - 12"	225	225	225	100
Dead end service w/o down stream flange (psi)	2" - 12"	100	100	100	50

When ordering butterfly valves please specify the seat in the _ space with the following letter designations:

E = EPDM	P = PTFE	V = VITON	B = BUNA
----------	----------	-----------	----------

When ordering butterfly valves please specify the handle with the following letter designations:

L = Lever Handle	B = Bare Stem	G = Gear Operator	-
------------------	---------------	-------------------	---

Dimensions

Part No.	Size	A	B	C	D	E	F	G	H	J	K	L	M	N	Weight	90° Cv
600-02DS_L	2"	6.34	3.46	1.26	4.74	4 : 5/8"	2.07	1.65	1.97	0.35	4 : 0.28	3.03	1.50	5/8-11UNC	9.7	135
600-212DS_L	2-1/2"	6.89	3.82	1.26	5.50	4 : 5/8"	2.54	1.77	1.97	0.35	4 : 0.28	3.03	1.50	5/8-11UNC	11.02	220
600-03DS_L	3"	7.13	4.06	1.26	6.00	4 : 5/8"	3.10	1.77	1.97	0.35	4 : 0.28	3.03	1.50	5/8-11UNC	12.13	302
600-04DS_L	4"	7.87	4.80	1.26	7.50	8 : 5/8"	4.09	2.03	2.76	0.43	4 : 0.35	3.54	1.75	5/8-11UNC	18.3	600
600-05DS_L	5"	8.39	5.31	1.26	8.50	8 : 3/4"	4.85	2.17	2.76	0.55	4 : 0.35	3.54	1.75	3/4-10UNC	24.14	1022
600-06DS_L	6"	8.90	5.79	1.26	9.51	8 : 3/4"	6.13	2.17	2.76	0.55	4 : 0.35	3.54	2.00	3/4-10UNC	26.14	1579
600-08DS_B	8"	10.24	7.20	1.61	11.75	8 : 3/4"	7.97	2.36	4.02	0.67	4 : 0.47	4.92	2.00	3/4-10UNC	41.6	3136
600-10DS_G	10"	11.50	7.99	1.61	14.25	12 : 7/8"	9.86	2.64	4.02	0.87	4 : 0.47	4.92	2.25	7/8-9UNC	77.16	5340
600-12DS_G	12"	13.27	9.53	1.61	17.01	12 : 7/8"	11.87	2.97	4.02	0.87	4 : 0.47	5.51	2.50	7/8-9UNC	111.55	8250
600-14DS_G	14"	14.49	10.71	1.77	18.74	12 : 1"	13.12	2.97	4.02	0.87	4 : 0.47	5.51	2.50	1-8UNC	154.32	11917
600-16DS_G	16"	15.75	13.11	2.02	21.26	16 : 1"	15.34	4.02	5.51	1.06	4 : 0.71	6.89	3.00	1-8UNC	264.55	16388
600-18DS_G	18"	16.54	14.33	2.02	22.76	16 : 1-1/8"	17.34	4.49	5.51	1.06	4 : 0.71	6.89	3.50	1-1/8-7UNC	326.28	21705
600-20DS_G	20"	18.90	15.31	2.53	25.00	20 : 1-1/8"	19.35	5.00	5.51	1.42	4 : 0.71	6.89	4.00	1-1/8-7UNC	473.99	27908
600-24DS_G	24"	22.13	17.83	2.76	29.51	20 : 1-1/4"	23.33	5.94	6.50	1.42	4 : 0.91	10.88	4.50	1-1/4-7UNC	650.36	43116
600-30DS_G	30"	25.98	21.23	2.76	35.98	28 : 1-1/4"	29.30	6.57	10.00	1.77	8 : 0.71	11.81	2.76	1-1/4-7UNC	939.17	58875
600-36DS_G	36"	28.35	25.84	2.76	42.76	32 : 1-1/2"	34.04	7.99	10.00	2.17	8 : 0.71	11.81	3.54	1-1/2-6UNC	1604.96	86375

*U-type Butterfly Valve, dimensions and drawings available upon request

Note: Information subject to change without notice.

060723