

Full flow gauge ports**High efficiency oil and particle removal****Excellent flow and regulation characteristics****Technical data****B07****Fluid:**

Compressed air, neutral gases
NOTE: Contact technical support for use with other media.

Maximum pressure

Transparent bowl: 150 psig (10 bar)
Metal bowl: 250 psig (17 bar)
Particle removal: 5µm

Operating temperature*

Transparent bowl:
-30° to 125°F (-34° to 50°C)
Metal bowl:
-30° to 150°F (-34° to 65°C)
* Air supply must be dry enough to avoid ice formation at temperatures below 35°F (2°C)

B39**Fluid:**

Compressed air
Maximum pressure
Transparent bowl: 150 psig (10 bar)
Metal bowl: 250 psig (17 bar)
Particle removal:
Down to 0.01 µm
Maximum remaining oil content in outlet air:
0.01 ppm at 70°F (20°C) with an inlet oil concentration of 17 ppm.

Operating temperature*

Transparent bowl:
-30° to 125°F (-34° to 50°C)
Metal bowl:
-30° to 150°F (-34° to 65°C)
* Air supply must be dry enough to avoid ice formation at temperatures below 35°F (2°C)

Materials**B07**

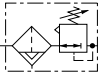
Body: zinc
Bonnet: acetal
Valve: brass/nitrile
Valve seat: acetal
Transparent bowl: polycarbonate
Metal: zinc
Element: sintered polypropylene
Elastomers: chloroprene, nitrile

B39

Body: zinc
Bonnet: acetal
Valve: brass/nitrile
Valve seat: acetal
Transparent bowl: Polycarbonate
Metal: zinc
Element: synthetic fiber and polyurethane foam
Elastomers: chloroprene, nitrile

Ordering information

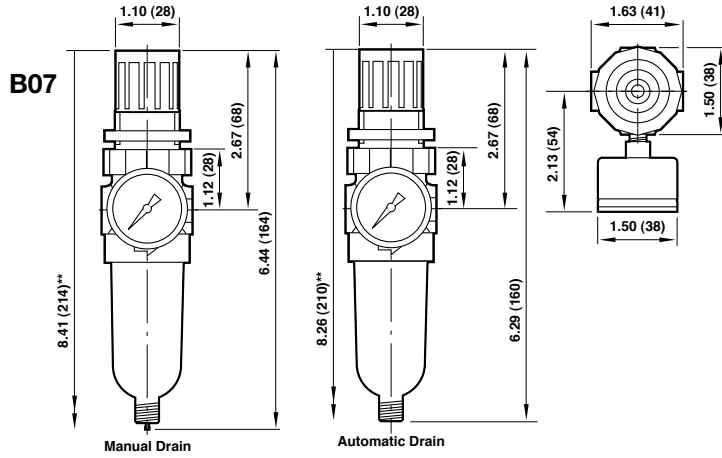
Models listed include PTF threads, transparent bowl, relieving diaphragm, gauge, automatic drain, 5 to 100 psig (0.3 to 7 bar) outlet pressure adjustment range*

ISO Symbol	Port Size	Model Number	Flow scfm (dm ³ /s)	Weight lbs (kg)	Service kit
 Automatic Drain Relieving	1/8"	B07-102-A1KA	13 (6.2 dm ³ /s) †	0.57 (0.26)	3820-02
	1/4"	B07-202-A1KA	14 (6.5 dm ³ /s) †	0.57 (0.26)	3820-02
	1/4"	B39-202-A0KA	4.0 (1.9) ††	0.57 (0.26)	3407-66

* Outlet pressure can be adjusted to pressures in excess of, and less than, those specified. Do not use these units to control pressures outside of the specified ranges.

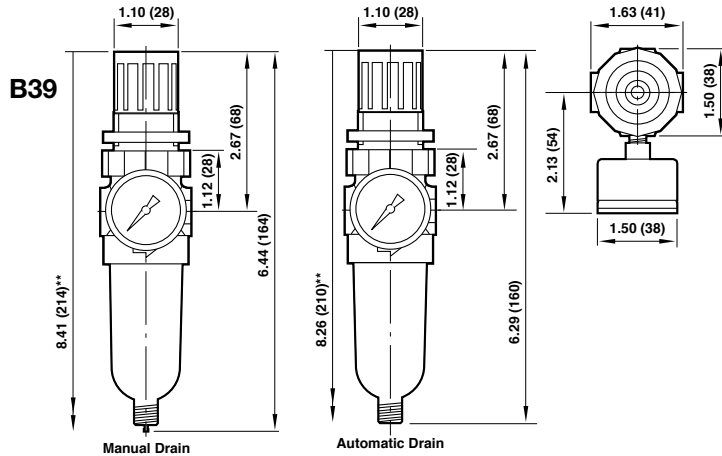
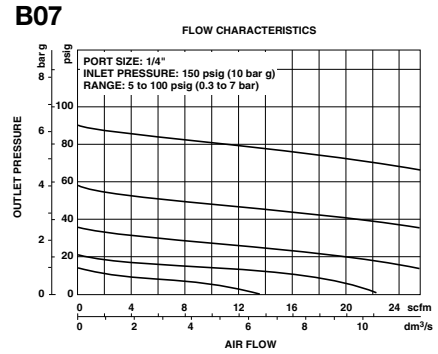
† Typical flow with 100 psig (7 bar) inlet pressure, 90 psig (6.3 bar) set pressure and a 15 psig (1 bar) drop from set.

†† Maximum flow with 90 psig (6.3 bar) inlet pressure to maintain stated oil removal performance

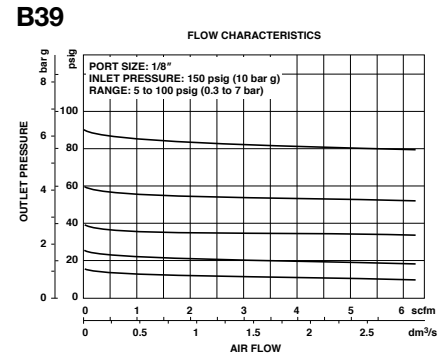


** Minimum clearance to remove bowl
Panel mounting hole diameter 1.19" (30 mm)
Panel thickness: 0.25" (6 mm)

Typical Performance Characteristics



** Minimum clearance to remove bowl
Panel mounting hole diameter 1.19" (30 mm)
Panel thickness: 0.25" (6 mm)



Dimensions in inches (mm)