

Building connections that last™



Series 9541 & Series 9542

PVC Ball Valve, Threaded & Slip Datasheet



PVC Ball Valve, Threaded Series 9541

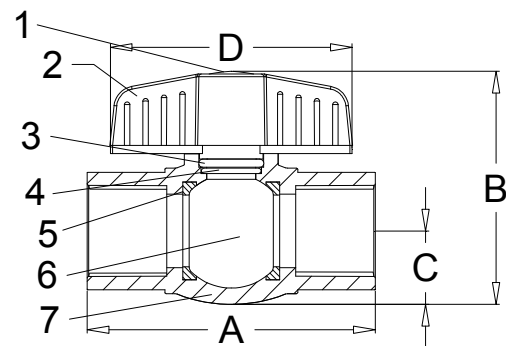


Design Features

- NSF certified to NSF/ANSI 14
- NSF certified to NSF/ANSI 61 Annex G Lead-Free
- IPS
- NPT threads
- 150 psi @ 180°F
- Produced using virgin PVC resins

Parts & Materials

No.	Part	Material
1	Cap	ABS
2	Handle	ABS
3	O-Ring	EPDM
4	O-Ring	EPDM
5	Seat	PTFE
6	Ball	PVC & ABS
7	Body	PVC



Dimensions

Size	Part Number	Weight	A	B	C	D
In		Lb	In	In	In	In
½	02939541G	0.2	3.16	2.46	0.71	2.74
¾	02939541I	0.2	3.61	2.98	0.87	3.01
1	02939541K	0.4	4.19	3.39	1.06	3.53
1-¼	02939541L	0.5	4.76	3.80	1.21	3.54
1-½	02939541M	0.8	5.13	4.32	1.46	4.42
2	02939541N	1.4	5.93	5.36	1.83	5.53

PVC Ball Valve, Slip Series 9542

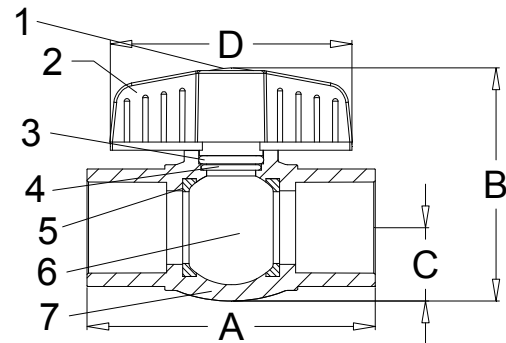


Design Features

- NSF certified to NSF/ANSI 14
- NSF certified to NSF/ANSI 61 Annex G Lead-Free
- Schedule 40/80 PVC
- 150 psi @73°F
- Molded in place construction
- IPS

Parts & Materials

No.	Part	Material
1	Cap	ABS
2	Handle	ABS
3	O-Ring	EPDM
4	O-Ring	EPDM
5	Seat	PTFE
6	Ball	PVC & ABS
7	Body	PVC



Dimensions

Size	Part Number	Weight	A	B	C	D
In		Lb	In	In	In	In
½	02939542G	0.2	3.16	2.46	0.71	2.74
¾	02939542I	0.2	3.61	2.98	0.87	3.01
1	02939542K	0.4	4.19	3.39	1.06	3.53
1-¼	02939542L	0.5	4.76	3.80	1.21	3.54
1-½	02939542M	0.8	5.13	4.32	1.46	4.42
2	02939542N	1.4	5.93	5.36	1.83	5.53

About ASC Engineered Solutions

ASC Engineered Solutions is defined by quality—in its products, services and support. With more than 1,400 employees, the company's portfolio of precision-engineered piping support, valves and connections provides products to more than 4,000 customers across industries, such as mechanical, industrial, fire protection, oil and gas, and commercial and residential construction. Its portfolio of leading brands includes ABZ Valve®, AFCON®, Anvil®, Anvil EPS, Anvil Services, Basic-PSA, Beck®, Catawissa, Cooplet®, FlexHead®, FPPI®, Grevlok®, J.B. Smith, Merit®, North Alabama Pipe, Quadrant®, SCI®, Sharpe®, SlideLOK®, SPF® and SprinkFLEX®. With headquarters in Commerce, CA, and Exeter, NH, ASC also has ISO 9001:2015 certified production facilities in PA, TN, IL, TX, AL, LA, KS, and RI.



asc-es.com

Building connections that last™

