

Building connections that last™

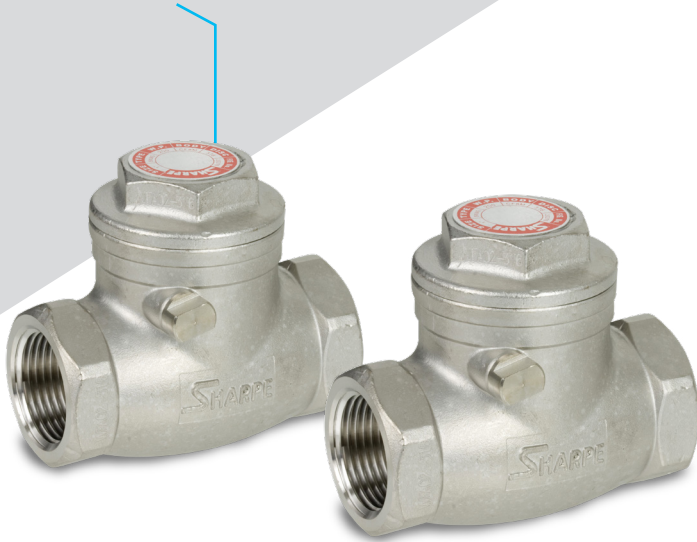


# Series 20276

## Swing Check Valve Datasheet



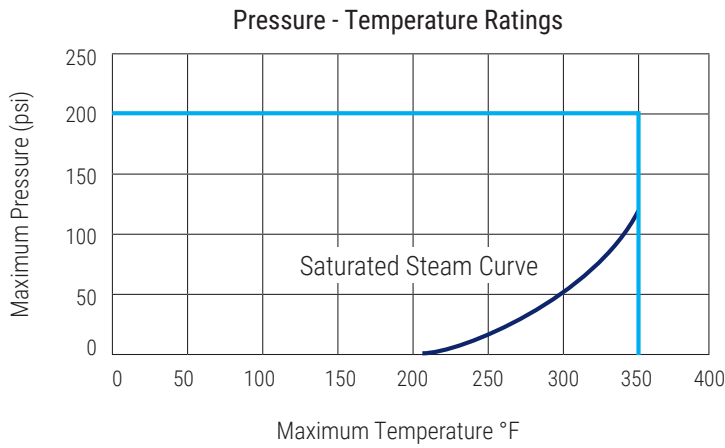
# Swing Check Valve Series 20276



## Design Features

- 200 WOG
- 316 stainless steel
- Threaded in cap
- Threaded or socket weld ends
- Hydrostatic shell test at 300 psi

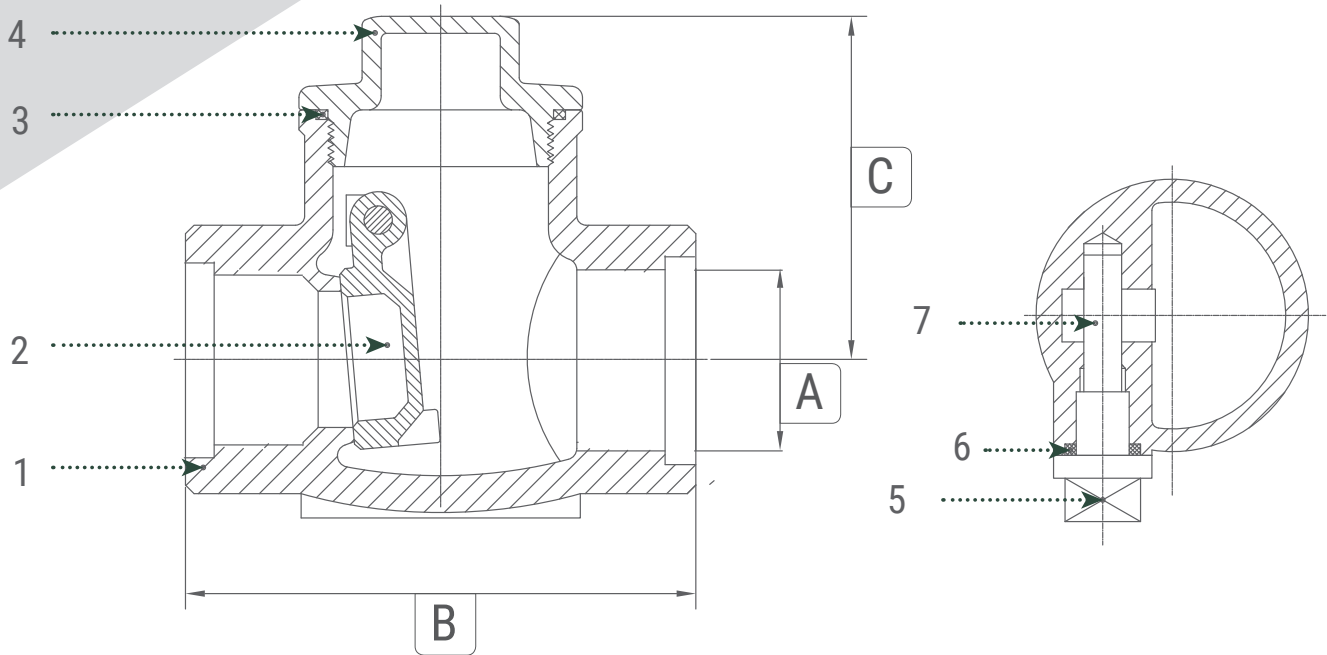
## Technical Information



asc-es.com

Building connections that last™

# Swing Check Valves Series 20276



## Parts & Materials

No.	Part Name	Qty.	Material
1	Body	1	316 Stainless Steel
2	Disc	1	316 Stainless Steel
3	Seal	1	PTFE
4	Bonnet	1	316 Stainless Steel
5	Plug	1	316 Stainless Steel
6	Seal	1	PTFE
7	Pin	1	316 Stainless Steel

## Dimensions (Inches)

Size	A	B	C
¼	0.55	2.54	1.85
⅜	0.69	2.54	1.85
½	0.85	2.54	1.85
¾	1.06	2.93	2.07
1	1.32	3.51	2.24
1¼	1.66	4.10	2.73
1½	1.90	4.68	2.89
2	2.40	5.42	3.18
2½	2.88	6.08	3.55
3	3.50	7.29	3.94

### Note:

Due to continuous development of our product range, we reserve the right to change the dimensions and information for this product as required.

Swing Check Valves  
**Series 20276**



How to order Series 20276

**1 - 20276 - TE = 1 - 20276 - TE**

Size                      Series                      Ends                      Size                      Series                      Ends

Size	Series	Ends
1/4	20276	TE Threaded
3/8		SW Socket Weld
1/2		
3/4		
1		
1-1/4		
1-1/2		
2		
2-1/2		
3		

### **About ASC Engineered Solutions**

ASC Engineered Solutions is defined by quality—in its products, services and support. With more than 1,400 employees, the company's portfolio of precision-engineered piping support, valves and connections provides products to more than 4,000 customers across industries, such as mechanical, industrial, fire protection, oil and gas, and commercial and residential construction. Its portfolio of leading brands includes ABZ Valve®, AFCON®, Anvil®, Anvil EPS, Anvil Services, Basic-PSA, Beck®, Catawissa, Cooplet®, FlexHead®, FPPI®, Gruklok®, J.B. Smith, Merit®, North Alabama Pipe, Quadrant®, SCI®, Sharpe®, SlideLOK®, SPF® and SprinkFLEX®. With headquarters in Commerce, CA, and Exeter, NH, ASC also has ISO 9001:2015 certified production facilities in PA, TN, IL, TX, AL, LA, KS, and RI.



[asc-es.com](http://asc-es.com)

Building connections that last™

FC-DS-SERIES-20276-v01 20210810

