

Building connections that last™



# Series 700 & Series 800

Anti-Siphon Frost Free Sillcocks Datasheet



# Anti-Siphon Frost Free Sillcock, MIP x SWT Series 700



## Design Features

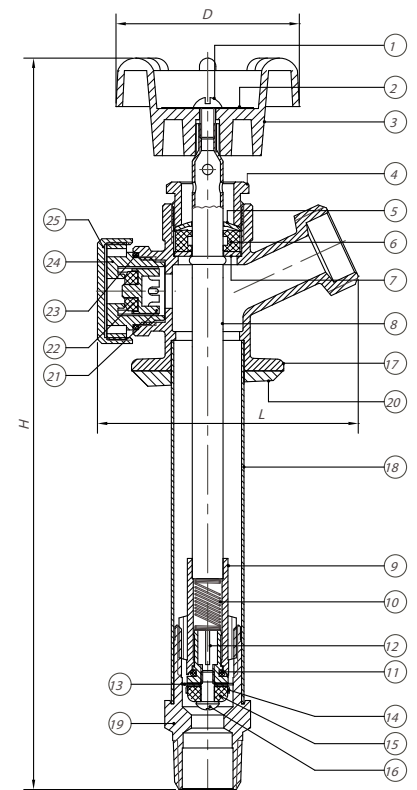
- ¾ MHT outlet
- ½" MIP x ½" SWT inlet
- Chrome plated brass body
- Vacuum breaker
- Metal handle (plastic handle available)
- IAPMO/UPC listed
- CSA approved
- ASSE approved
- ISO 9001:2008 manufacturer

**Note:** Product contains brass which does not meet federal and state requirements for drinking water.

**WARNING:** Cancer and Reproductive Harm - [www.P65Warnings.ca.gov](http://www.P65Warnings.ca.gov)

## Parts & Materials

No.	Part	Material
1	Handle Bolt	Brass B-124, C37700
2	Name Plate	Aluminium
3	Hand-Wheel	Zinc
4	Bonnet	Brass B16 C36000
5	Washer	304 Stainless Steel
6	Packing	NBR
7	Washer	304 Stainless Steel
8	Stem Pipe	Brass (Copper Alloy Nos. 27000)
9	Stem	Brass B16 C36000
10	Spring	304 Stainless Steel
11	O-Ring	NBR
12	Spring Seat	Brass B16 C36000
13	Flapper	NBR
14	Seat Holder	Brass B-124, C37700
15	Seat Packing	NBR
16	Seat Screw	Brass B-124, C37700
17	Body	Brass B584 C85700
18	Pipe Flow	Brass (Copper Alloy Nos. 27000)
19	Nipple	Brass B16 C36000
20	Flange Packing	Formocon FM090 CF500P
21	Floating	Formocon FM090 CF500P
22	Floating Pack	NBR
23	O-Ring	NBR
24	Bolt Packing	Formocon FM090 CF500P
25	Cap	Brass B16 C36000



## Dimensions

Length	Part Number	Weight	A	B	C
In		Lb	In	In	In
4	0190704IG	1.0	3.07	8.64	2.21
6	0190706IG	1.0	3.07	10.66	2.21
8	0190708IG	1.1	3.07	12.66	2.21
10	0190710IG	1.1	3.07	14.68	2.21
12	0190712IG	1.2	3.07	16.72	2.21
14	0190714IG	1.3	3.07	18.73	2.21



# Anti-Siphon Frost Free Sillcock, MIP x FIP Series 800



## Design Features

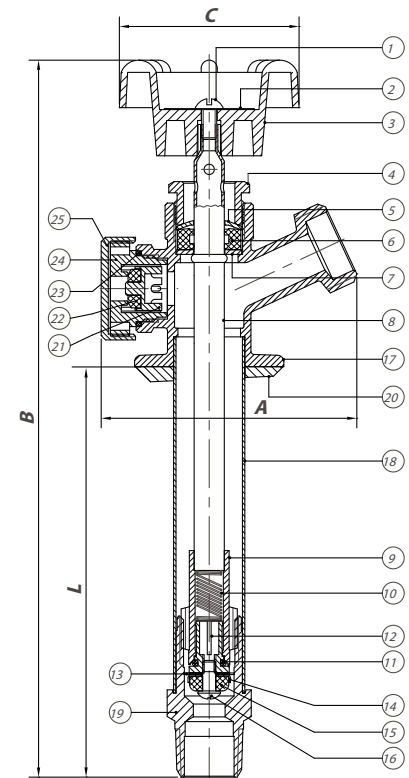
- ¾" MHT outlet
- ¾" MIP x ½" FIP inlet
- Chrome plated brass body
- Vacuum breaker
- Metal handle (plastic handle available)
- IAPMO/UPC listed
- CSA approved
- ASSE approved
- ISO 9001:2008 manufacturer

**Note:** Product contains brass which does not meet federal and state requirements for drinking water.

**! WARNING:** Cancer and Reproductive Harm – [www.P65Warnings.ca.gov](http://www.P65Warnings.ca.gov)

## Parts & Materials

No.	Part	Material
1	Handle Bolt	Brass B-124, C37700
2	Name Plate	Aluminium
3	Hand-Wheel	Zinc
4	Bonnet	Brass B16 C36000
5	Washer	304 Stainless Steel
6	Packing	NBR
7	Washer	304 Stainless Steel
8	Stem Pipe	Brass (Copper Alloy Nos. 27000)
9	Stem	Brass B16 C36000
10	Spring	304 Stainless Steel
11	O-Ring	NBR
12	Spring Seat	Brass B16 C36000
13	Flapper	NBR
14	Seat Holder	Brass B-124, C37700
15	Seat Packing	NBR
16	Seat Screw	Brass B-124, C37700
17	Body	Brass B584 C85700
18	Pipe Flow	Brass (Copper Alloy Nos. 27000)
19	Nipple	Brass B16 C36000
20	Flange Packing	Formocon FM090 CF500P
21	Floating	Formocon FM090 CF500P
22	Floating Pack	NBR
23	O-Ring	NBR
24	Bolt Packing	Formocon FM090 CF500P
25	Cap	Brass B16 C36000



## Dimensions

Length	Part Number	Weight	A	B	C
In		Lb	In	In	In
4	0190804IG	1.0	3.07	8.64	2.21
6	0190806IG	1.0	3.07	10.66	2.21
8	0190808IG	1.1	3.07	12.66	2.21
10	0190810IG	1.1	3.07	14.68	2.21
12	0190812IG	1.2	3.07	16.72	2.21
14	0190814IG	1.3	3.07	18.73	2.21



### **About ASC Engineered Solutions**

ASC Engineered Solutions is defined by quality—in its products, services and support. With more than 1,400 employees, the company's portfolio of precision-engineered piping support, valves and connections provides products to more than 4,000 customers across industries, such as mechanical, industrial, fire protection, oil and gas, and commercial and residential construction. Its portfolio of leading brands includes ABZ Valve®, AFCON®, Anvil®, Anvil EPS, Anvil Services, Basic-PSA, Beck®, Catawissa, Cooplet®, FlexHead®, FPPI®, Gruklok®, J.B. Smith, Merit®, North Alabama Pipe, Quadrant®, SCI®, Sharpe®, SlideLOK®, SPF® and SprinkFLEX®. With headquarters in Commerce, CA, and Exeter, NH, ASC also has ISO 9001:2015 certified production facilities in PA, TN, IL, TX, AL, LA, KS, and RI.



[asc-es.com](http://asc-es.com)

Building connections that last™

FC-DS-SERIES-700-800-v01 20211213

