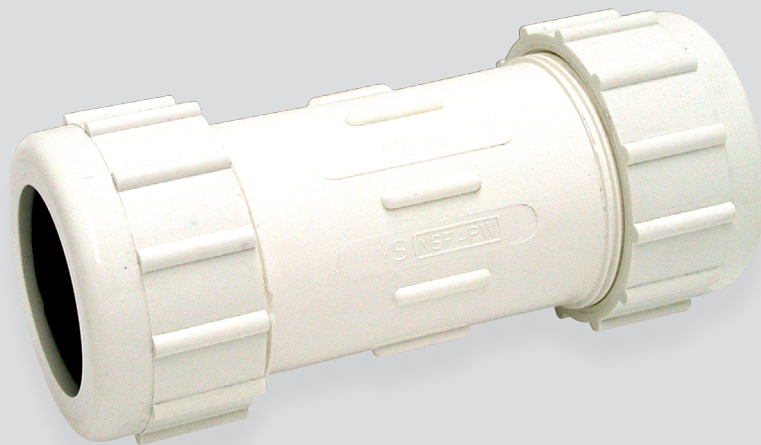


Building connections that last™



Series 62

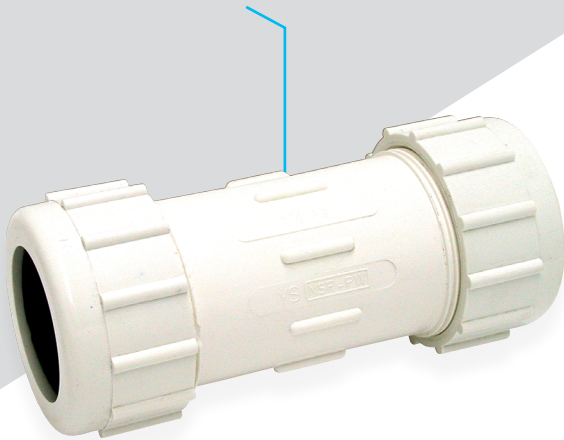
PVC Compression Coupling Datasheet



SCI

An ASC Engineered Solution

PVC Compression Coupling Series 62

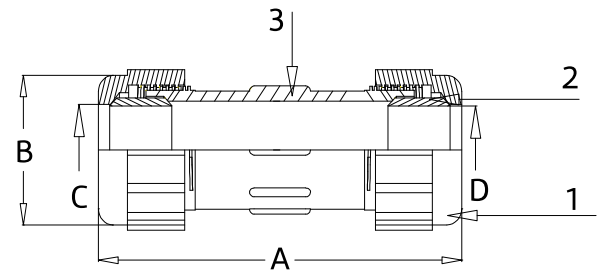


Design Features

- Max. 150 psi @ 73°F
- Iron pipe sizes
- Certified to NSF/ANSI 61 / Annex G Lead-Free

Parts & Materials

No.	Part	Material
1	Nut	PVC
2	Gasket	Rubber
3	Body	PVC



Dimensions

Size	Part Number	Weight	A	B	C	D
In		Lb	In	In	In	In
½	02943200G	0.3	5.24	1.69	0.89	0.82
¾	02943200I	0.4	5.53	1.95	1.13	1.00
1	02946214	0.5	6.09	2.20	1.35	1.30
1-¼	02946216	0.8	6.47	2.66	1.33	1.60
1-½	02946218	0.9	6.90	2.92	2.00	1.85
2	02946220	1.3	7.70	3.43	2.43	2.30
2-½	02946225	2.3	9.80	4.09	3.00	2.80
3	02946230	3.7	10.90	4.74	3.60	3.45
4	02946240	5.3	12.00	5.80	4.60	4.45

About ASC Engineered Solutions

ASC Engineered Solutions is defined by quality—in its products, services and support. With more than 1,400 employees, the company's portfolio of precision-engineered piping support, valves and connections provides products to more than 4,000 customers across industries, such as mechanical, industrial, fire protection, oil and gas, and commercial and residential construction. Its portfolio of leading brands includes ABZ Valve®, AFCON®, Anvil®, Anvil EPS, Anvil Services, Basic-PSA, Beck®, Catawissa, Cooplet®, FlexHead®, FPPI®, Gruvlok®, J.B. Smith, Merit®, North Alabama Pipe, Quadrant®, SCI®, Sharpe®, SlideLOK®, SPF® and SprinkFLEX®. With headquarters in Commerce, CA, and Exeter, NH, ASC also has ISO 9001:2015 certified production facilities in PA, TN, IL, TX, AL, LA, KS, and RI.



asc-es.com

Building connections that last™

PS-DS-Series-62-v01 20210106

