

Building connections that last™

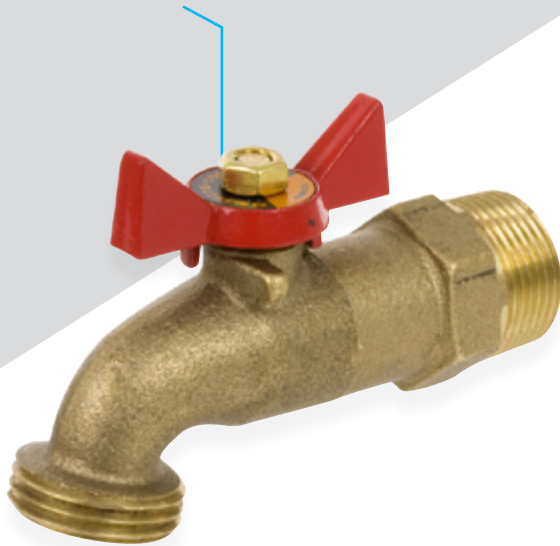


Series 164

Quarter Turn Hose Bibb,
MIP Datasheet




Quarter Turn Hose Bibb, MIP Series 164



Design Features

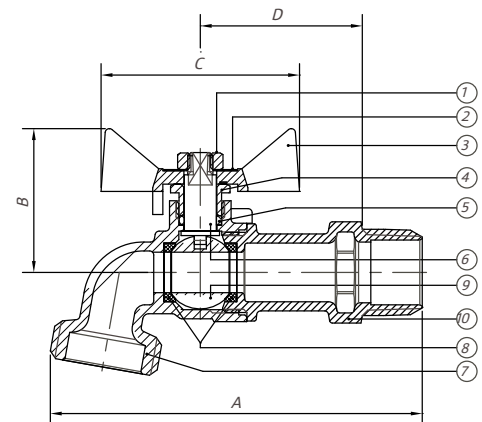
- 125 lb. CWP
- NPT x 3/4" NHT
- Forged brass
- Butterfly handle
- Quarter turn operation
- ISO 9001:2008 manufacturer

Note: Product contains brass which does not meet federal and state requirements for drinking water.

 **WARNING:** Cancer and Reproductive Harm - www.P65Warnings.ca.gov

Parts & Materials

No.	Part	Material
1	Wheel Nut	Brass B-124, C377000
2	Name Plate	Aluminium
3	Butterfly Handle	Zinc
4	Packing Nut	Brass B16 C36000
5	Packing	PTFE
6	Stem	Brass B16 C36000
7	Body	Brass B584 C85700
8	Ball Packing	PTFE
9	Ball	Brass B16 C36000
10	Bonnet	Brass B584 C85700



Dimensions

Size	Part Number	Weight	Inlet	A	B	C	D
In		Lb		In	In	In	In
1/2	0190164G	0.3	Male	3.62	1.40	1.93	1.58
3/4	0190164I	0.5	Male	3.62	1.40	1.93	1.58
3/4 x 1/2	0190164IG	0.4	Male x SWT	3.62	1.40	1.93	1.58

About ASC Engineered Solutions

ASC Engineered Solutions is defined by quality—in its products, services and support. With more than 1,400 employees, the company's portfolio of precision-engineered piping support, valves and connections provides products to more than 4,000 customers across industries, such as mechanical, industrial, fire protection, oil and gas, and commercial and residential construction. Its portfolio of leading brands includes ABZ Valve®, AFCON®, Anvil®, Anvil EPS, Anvil Services, Basic-PSA, Beck®, Catawissa, Cooplet®, FlexHead®, FPPI®, Gruvlok®, J.B. Smith, Merit®, North Alabama Pipe, Quadrant®, SCI®, Sharpe®, SlideLOK®, SPF® and SprinkFLEX®. With headquarters in Commerce, CA, and Exeter, NH, ASC also has ISO 9001:2015 certified production facilities in PA, TN, IL, TX, AL, LA, KS, and RI.



asc-es.com

Building connections that last™

FC-DS-Series-164-v01 20211208

