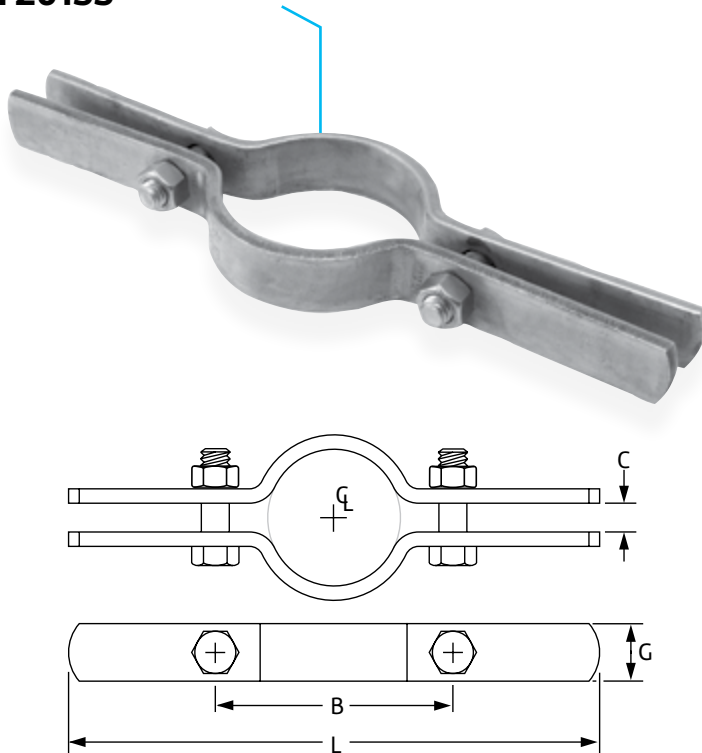


Extension Pipe or Riser Clamp Fig. 261SS



Size Range: ½" through 12"

Material: 304 stainless steel

Service: For support of stationary steel pipe risers or conduit.

Maximum Temperature: 650° F

Approvals: Complies with Federal Specification A-A-1192A (Type 8) WW-H-171-E (Type 8), ANSI/MSS SP-69 and MSS SP-58 (Type 8).

Installation: Clamp is fitted and bolted below a coupling, hub or welded lugs on steel pipe (2 lugs up to 3" pipe, 4 lugs up to 12" pipe).

Bolt torques should be per industry standards (see page 248). Clamp is designed for standard steel pipe O.D. and this must be considered in sizing the riser for other types of piping.

Ordering: Specify pipe size, figure number, name and finish.



Fig. 261SS: Dimensions (in) • Loads (lbs) • Torque (ft-lbs) • Weight (lbs)

Pipe Size	Max Load		Lugs	Weight	L	G Width	B	C	Bolt Diameter	Torque Values
	450° F	650° F								
½ - ¾	185	165	2	1.1	8 ⁷ / ₈	1	2 ⁷ / ₈	¾	¾	21
1	210	190		1.1	10		3 ¹ / ₈			
1¼	255	230		1.6			3 ¹ / ₂			
1½	340	305		1.6			3 ⁷ / ₈			
2	425	385	4	1.7	10 ¹ / ₄	1½	4 ¹ / ₄	½	7/16	32
2½	510	460		1.9	11 ¹ / ₄		4 ³ / ₄			
3	635	570		1.9	11 ³ / ₈		5 ¹ / ₂			
4	1,275	1,150		2.4	12 ⁷ / ₈		7			
5	1,360	1,225	4	3.6	13 ³ / ₄	2	8	½	½	46
6	1,380	1,240		4.0	14 ³ / ₄		9			
8	1,800	1,620		7.6	18 ¹ / ₂		12			
10				11.1	20 ¹ / ₄		13 ³ / ₄			
12				16.5	22 ³ / ₄		15 ³ / ₄			

PROJECT INFORMATION	APPROVAL STAMP
Project:	Approved
Address:	Approved as noted
Contractor:	Not approved
Engineer:	Remarks:
Submittal Date:	
Notes 1:	
Notes 2:	