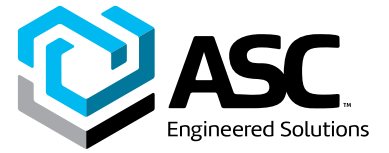


Building connections that last™



Series 16

Resilient Seated Butterfly Valve Datasheet



Resilient Seated Butterfly Valves Series 16



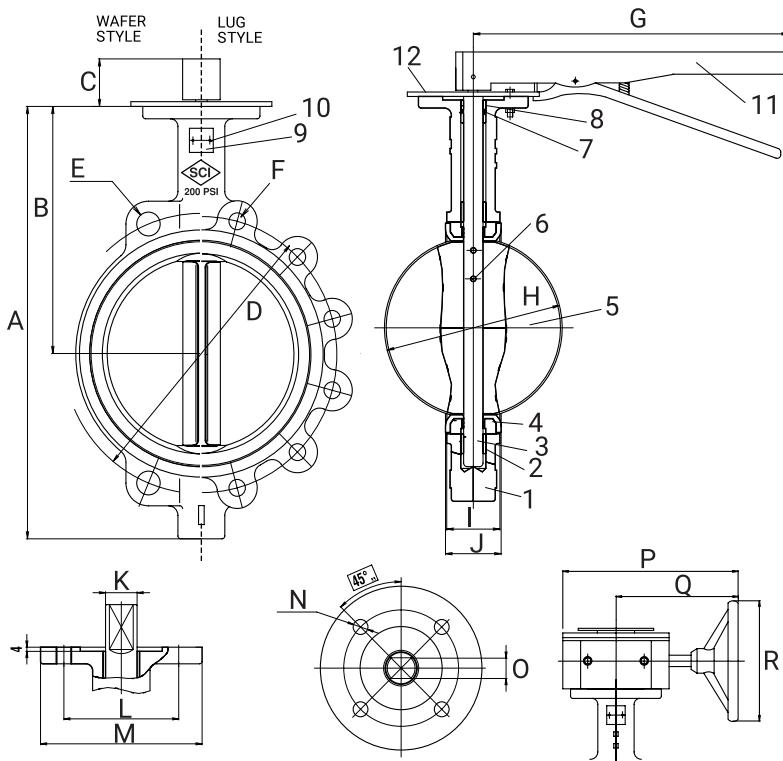
Design Features

- 200 PSI pressure rating (2"–12")
- 150 PSI pressure rating (14"–16")
- Buna-N Seat up to 180°F (82°C)
- EPDM Seat up to 220°F (104°C)
- Wafer Body – Cast Iron
- Lug Body – Ductile Iron
- Disc: Nickel plated ductile iron, or stainless steel
- Stem: Stainless steel
- Design: MSS SP-67, API 609
- Installs between ANSI Class 125/150 flanges
- Fusion bonded epoxy coating
- Phenolic backed cartridge seat
- Top flange: ISO 5211
- 24", 36", 48", 60" and 72" extensions
- Not designed for dead-end or steam service

Parts & Materials

No.	Part	Material
1	Wafer Body	Cast Iron ASTM A126
1	Lug Body	Ductile Iron ASTM A536
2	Bushing	PTFE
3	Stem	ASTM A582 416 SS ASTM A276 316 SS with Stainless Disc
4	Seat / Liner	Buna-N or EPDM
5	Disc	Ductile Iron Nickel Plated ASTM A536 or 316 SS / CF8M ASTM A276
6	Taper Pin	ASTM A276 316 SS
7	O-ring	Buna-N or EPDM
8	Bushing	PTFE
9	Plate Rivet	Aluminium
10	Name Plate	Aluminium
11	Handle	Malleable Iron
12	Throttle Plate	Plated Steel

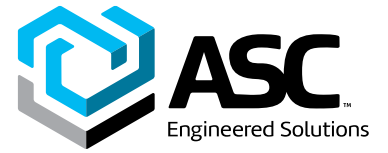
Resilient Seated Butterfly Valves Series 16



*Not designed for dead-end service or steam

Size	A	B	C	D	E	F	G	H	I	J	K	L	M	N	O	P	Q	R	Cap Screw
in	in	in	in	in	in		in	in	in	in	in	in	in	in	in	in	in	in	Length (Lug)
2	9.5	6.3	1.3	4.75	0.75	4 x 5/8"-11 UNC	10.5	2.1	1.7	1.8	0.50	1.97	2.6	0.28	0.40	7.9	5.8	5.9	1.25
2-1/2	10.4	6.9	1.3	5.50	0.75	4 x 5/8"-11 UNC	10.5	2.5	1.8	1.9	0.50	1.97	2.6	0.28	0.40	7.9	5.8	5.9	1.50
3	10.9	7.1	1.3	6.00	0.75	4 x 5/8"-11 UNC	10.5	3.1	1.8	1.9	0.50	1.97	2.6	0.28	0.40	7.9	5.8	5.9	1.50
4	12.4	7.9	1.3	7.50	0.75	8 x 5/8"-11UNC	10.5	4.1	2.1	2.2	0.62	2.76	3.5	0.39	0.47	7.9	5.8	5.9	1.75
5	13.4	8.4	1.3	8.50	0.88	8 x 3/4"-10UNC	10.5	4.9	2.1	2.3	0.74	2.76	3.5	0.39	0.55	7.9	5.8	5.9	1.75
6	14.4	8.9	1.3	9.50	0.88	8 x 3/4"-10UNC	10.5	6.1	2.2	2.3	0.74	2.76	3.5	0.39	0.55	7.9	5.8	5.9	2.00
8	17.1	10.2	1.6	11.75	0.88	8 x 3/4"-10UNC	14.1	8.0	2.4	2.5	0.87	4.02	4.9	0.47	0.66	12.4	9.4	11.8	2.25
10	19.5	11.5	1.6	14.25	1.00	12 x 7/8"- 9UNC	14.1	9.9	2.6	2.8	1.12	4.02	4.9	0.47	0.86	12.4	9.4	11.8	2.25
12	22.8	13.3	1.6	17.00	1.00	12 x 7/8"- 9UNC	14.1	11.9	3.0	3.2	1.24	4.02	4.9	0.47	0.94	12.2	8.9	11.8	2.50
14	25.0	14.5	1.8	18.75	1.12	12 x 1"- 8UNC	n/a	13.1	3.0	3.1	1.24	4.02	4.9	0.47	0.94	12.2	8.9	11.8	2.50
16	27.9	15.7	2.0	21.25	1.12	16 x 1"- 8UNC	n/a	15.3	3.4	3.5	1.31	5.51	6.9	0.71	1.10	15.7	10.6	11.8	2.50

Resilient Seated Butterfly Valves Series 16



Operating Torque and Weight

Size	General Service Torque by Valve Differential Pressure				Wafer Style Weight		Lug Style Weight	
	75 psi	100 psi	150 psi	200 psi	Lever	Gear	Lever	Gear
in	in/lb	in/lb	in/lb	in/lb	lb	lb	lb	lb
2	135	140	160	170	6.6	18.7	11.5	22.7
2-1/2	145	150	170	190	8.2	20.3	12.3	23.6
3	225	230	240	260	9.0	21.2	12.8	24.0
4	370	390	410	450	11.9	24.0	22.0	33.3
5	570	600	650	690	17.2	28.7	28.7	39.9
6	890	940	1,040	1,100	19.0	30.4	31.1	42.3
8	1,600	1,700	1,900	2,100	32.0	47.8	48.1	61.7
10	2,560	2,760	3,160	3,500	48.5	60.6	70.1	83.8
12	3,800	4,100	4,750	5,400	80.5	112.0	113.0	147.7
14	4,800	5,150	6,000	-	-	134.0	-	199.0
16	6,250	7,000	8,300	-	-	181.0	-	265.0



Resilient Seated Butterfly Valves Series 16



Example: 0160WSEL040
4" Wafer Style Butterfly Valve, 316 SS Disc,
EPDM Seat, 10-Position Lever Handle

How to order Series 16

0160W		S		E		L		040	
Valve Style		Disc Material		Seat		Operator		Size	
0160W	Wafer (Cast Iron)	S	316 Stainless Steel	E	EPDM	L	10 Position Lever Handle	020	2
0160L	Lug (Ductile Iron)	D	Nickel Plated Ductile Iron	N	Buna-N	G	Gear Operator	025	2-1/2
								030	3
								040	4
								050	5
								060	6
								080	8
								100	10
								120	12
								140	14
								160	16

Notes:

Responsibility for proper selection, use and maintenance of any product remains solely with the purchaser and end user. We reserve the right to modify or improve the designs or specifications of any product, at any time without notice.

Resilient Seated Butterfly Valves

Series 16



Example: 0160XT020240

0160XT		020		240	
Extension Kit		Valve Size		Length	
0160XT	Extension Kit	020	2	240	24
		024	2-1/2	360	36
		030	3	480	48
		040	4	600	60
		050	5	720	72
		060	6		
		080	8		
		100	10		
		120	12		
		140	14		
		160	16		



About ASC Engineered Solutions

ASC Engineered Solutions is defined by quality—in its products, services and support. With more than 1,400 employees, the company's portfolio of precision-engineered piping support, valves and connections provides products to more than 4,000 customers across industries, such as mechanical, industrial, fire protection, oil and gas, and commercial and residential construction. Its portfolio of leading brands includes ABZ Valve®, AFCON®, Anvil®, Anvil EPS, Anvil Services, Basic-PSA, Beck®, Catawissa, Cooplet®, FlexHead®, FPPI®, Gruklok®, J.B. Smith, Merit®, North Alabama Pipe, Quadrant®, SCI®, Sharpe®, SlideLOK®, SPF® and SprinkFLEX®. With headquarters in Commerce, CA, and Exeter, NH, ASC also has ISO 9001:2015 certified production facilities in PA, TN, IL, TX, AL, LA, KS, and RI.



asc-es.com

Building connections that last™

FC-DS-Series-16-v04 20221216

