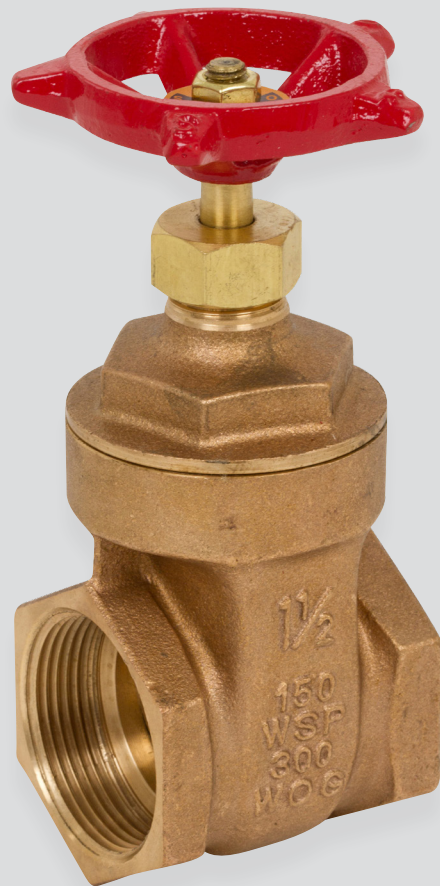


Building connections that last™



Series 9101L

Lead-Free Bronze Gate Valve,
Threaded Datasheet



Lead-Free Bronze Gate Valve, Threaded Series 9101L

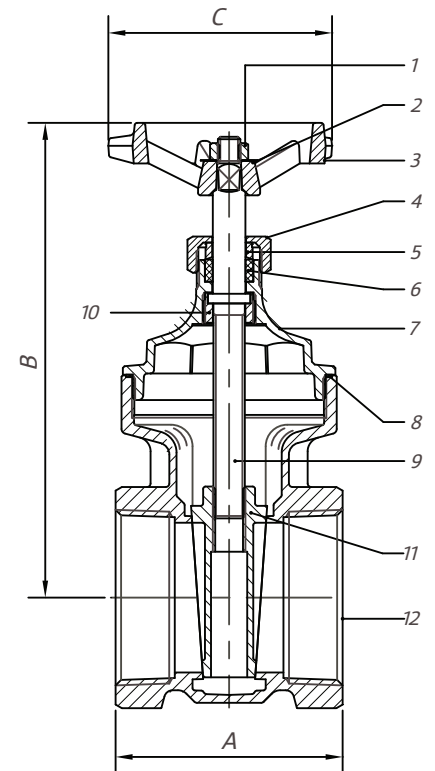


Design Features

- Certified to SWDA and California AB1953
- Certified to NSF/ANSI 61-8
- 300 lb. CWP, 150 lb. WSP
- Full port (1/2 - 3)
- Solid wedge disc
- Screwed in bonnet
- Non-rising stem
- Conforms to MSS SP-80
- Cast iron star handle
- ISO 9001:2008 manufacturer

Parts & Materials

No.	Part	Material
1	Wheel Nut	Hot Rolled SAE 1010R
2	Name Plate	Aluminium
3	Hand-Wheel	Cast Iron
4	Packing Nut	Brass B16 C36000
5	Gland Ring	Brass B16 C36000
6	Gland Packing	Graphite
7	Bonnet	Bronze B584 C84400
8	Gasket	Fibre
9	Stem	Brass B16 C36000
10	Locknut	Brass B16 C36000
11	Disc	Bronze B584 C84400
12	Body	Bronze B584 C84400



Dimensions

Size	Part Number	Weight	A	B	C
In		Lb	In	In	In
1/2	01719101GL	0.6	1.71	2.92	2.17
3/4	01719101IL	1.0	1.81	2.92	2.17
1	01719101KL	1.3	2.12	3.70	2.36
1-1/4	01719101LL	1.9	2.25	4.57	2.96
1-1/2	01719101ML	2.3	2.44	4.57	2.96
2	01719101NL	3.5	2.70	6.07	3.31

About ASC Engineered Solutions

ASC Engineered Solutions is defined by quality—in its products, services and support. With more than 1,400 employees, the company's portfolio of precision-engineered piping support, valves and connections provides products to more than 4,000 customers across industries, such as mechanical, industrial, fire protection, oil and gas, and commercial and residential construction. Its portfolio of leading brands includes ABZ Valve®, AFCON®, Anvil®, Anvil EPS, Anvil Services, Basic-PSA, Beck®, Catawissa, Cooplet®, FlexHead®, FPPI®, Gruklok®, J.B. Smith, Merit®, North Alabama Pipe, Quadrant®, SCI®, Sharpe®, SlideLOK®, SPF® and SprinkFLEX®. With headquarters in Commerce, CA, and Exeter, NH, ASC also has ISO 9001:2015 certified production facilities in PA, TN, IL, TX, AL, LA, KS, and RI.



asc-es.com

Building connections that last™

FC-DS-SERIES-9101L-v01 20211215

