

Building connections that last™



# Series 8501L & Series 8502L

Lead-Free Brass Gate Valves,  
Threaded and Sweat Datasheet



# Lead-Free Brass Gate Valve, Threaded Series 8501L

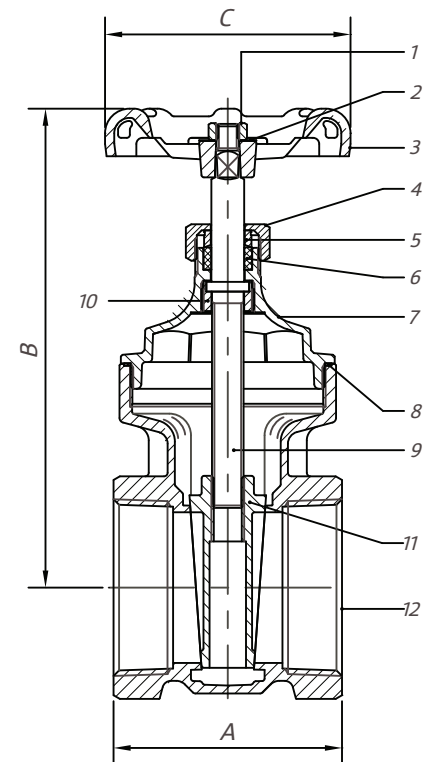


## Design Features

- California AB1953 lead-free approved
- Meets federal Safe Water Drinking Water Act, lead-free requirement
- 200 lb. WOG / 125 lb. WSP
- Full port (¼" - 3")
- Cast brass
- Screwed in bonnet
- Non-rising brass stem
- ANSI/NSF 61.8 approved
- ISO 9001:2008 manufacturer

## Parts & Materials

No.	Part	Material
1	Nut	Forged Steel ASTM-AISI-1010
2	Name Plate	Aluminium ASTM B-209, Alloy 1100
3	Hand-Wheel	Cast Iron ASTM A-48, Class No. 35
4	Stem	Brass B16 C36000
5	Packing Nut	Brass B16 C36000 (¼"-1")
6	Packing Nut	Cast Brass ASTM B-584, C85700 (1-½" -4")
7	Gland Follower	Brass ASTM B16, C36000
8	Packing	Graphite
9	Bonnet	Cast Brass ASTM B-584, C89550
10	Stem Lock Nut	Brass ASTM B-16, C36000
11	Disc	Cast Brass ASTM B-584, C89550
12	Body	Cast Brass ASTM B-584, C89550



## Dimensions

Size	Part Number	Weight	A	B	C
In		Lb	In	In	In
¼	01718501CL	0.5	1.71	2.91	2.09
⅜	01718501EL	0.5	1.71	2.91	2.09
½	01718501GL	0.6	1.71	2.91	2.09
¾	01718501IL	0.8	1.81	3.31	2.13
1	01718501KL	1.1	2.13	3.90	2.48
1-¼	01718501LL	1.8	2.25	4.61	2.72
1-½	01718501ML	2.2	2.44	5.08	3.15
2	01718501NL	3.3	2.70	5.99	3.53
2-½	01718501PL	6.4	3.70	7.88	3.95
3	01718501QL	9.7	4.02	8.83	4.37
4	01718501TL	17.0	4.53	9.89	5.00

# Lead-Free Brass Gate Valve, Sweat Series 8502L

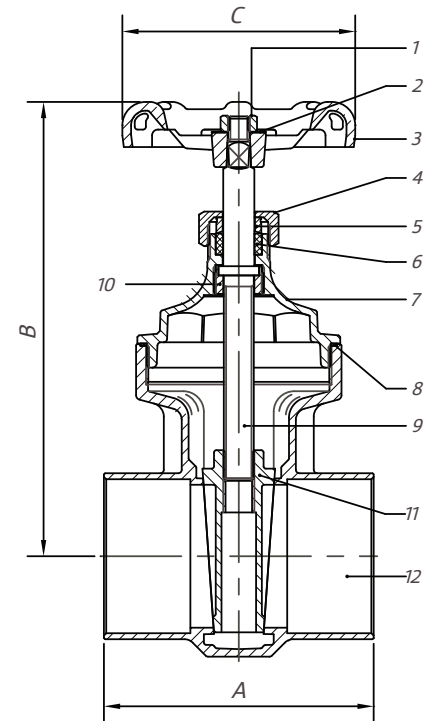


## Design Features

- California AB1953 lead-free approved
- Meets federal Safe Water Drinking Water Act, lead-free requirement
- 200 lb. WOG / 125 lb. WSP
- Full port (1/4" - 3")
- Cast brass
- Non-rising brass stem
- ANSI/NSF 61.8 approved
- ISO 9001:2008 manufacturer

## Parts & Materials

No.	Part	Material
1	Nut	Forged Steel ASTM-AISI-1010
2	Name Plate	Aluminium ASTM B-209, Alloy 1100
3	Hand-Wheel	Cast Iron ASTM A-48, Class No. 35
4	Stem	Brass B16 C36000
5	Packing Nut	Brass B16 C36000 (1/4"-1")
6	Packing Nut	Cast Brass ASTM B-584, C85700 (1-1/2" -4")
7	Gland Follower	Brass ASTM B16, C36000
8	Packing	Graphite
9	Bonnet	Cast Brass ASTM B-584, C89550
10	Stem Lock Nut	Brass ASTM B-16, C36000
11	Disc	Cast Brass ASTM B-584, C89550
12	Body	Cast Brass ASTM B-584, C89550



## Dimensions

Size	Part Number	Weight	A	B	C
In		Lb	In	In	In
3/8	01718502EL	0.5	1.69	2.91	2.09
1/2	01718502GL	0.6	1.69	2.91	2.09
3/4	01718502IL	0.8	2.32	3.31	2.13
1	01718502KL	1.1	2.72	3.90	2.48
1-1/4	01718502LL	1.8	2.94	4.61	2.72
1-1/2	01718502ML	2.2	3.33	5.08	3.15
2	01718502NL	3.3	3.98	5.99	3.53

### **About ASC Engineered Solutions**

ASC Engineered Solutions is defined by quality—in its products, services and support. With more than 1,400 employees, the company's portfolio of precision-engineered piping support, valves and connections provides products to more than 4,000 customers across industries, such as mechanical, industrial, fire protection, oil and gas, and commercial and residential construction. Its portfolio of leading brands includes ABZ Valve®, AFCON®, Anvil®, Anvil EPS, Anvil Services, Basic-PSA, Beck®, Catawissa, Cooplet®, FlexHead®, FPPI®, Gruvlok®, J.B. Smith, Merit®, North Alabama Pipe, Quadrant®, SCI®, Sharpe®, SlideLOK®, SPF® and SprinkFLEX®. With headquarters in Commerce, CA, and Exeter, NH, ASC also has ISO 9001:2015 certified production facilities in PA, TN, IL, TX, AL, LA, KS, and RI.



[asc-es.com](http://asc-es.com)

Building connections that last™

FC-DS-SERIES-8501L-8502L-v01 20211220

