

Building connections that last™



Series 9191L & Series 9192L

Lead-Free Brass Swing Check
Valve Datasheet



Lead-Free Brass Swing Check Valve, Threaded Series 9191L

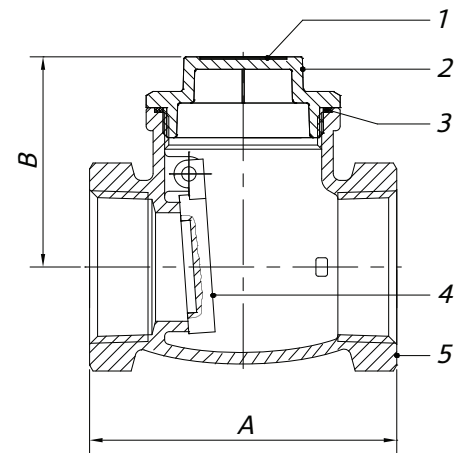


Design Features

- California AB1953 lead-free approved
- Meets federal Safe Water Drinking Water Act, lead-free requirement
- 200 lb. WOG/125 lb. WSP
- ANSI/NSF 61.8 approved
- Cast brass body
- Forged brass disc
- ISO 9001:2008 manufacturer

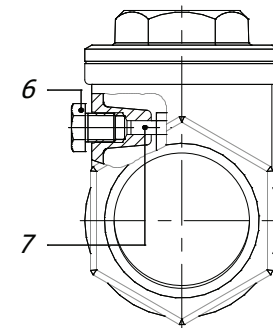
Parts & Materials

No.	Part	Material
1	Name Plate	Aluminium
2	Cap	Cast Brass Alloy C89550
3	Packing	Fibre "H"
4	Disc	Cast Brass Alloy C89550
5	Body	Cast Brass Alloy C89550
6	Screw	Brass ASTM B16-C36000
7	Pin	Brass ASTM B16-C36000



Dimensions

Size	Part Number	Weight	A	B
In		Lb	In	In
½	01739191GL	0.41	2.05	1.50
¾	01739191IL	0.54	2.32	1.58
1	01739191KL	0.74	2.72	1.77
1-¼	01739191LL	1.33	3.11	2.01
1-½	01739191ML	1.65	3.51	2.17
2	01739191NL	2.61	4.29	2.64
2-½	01739191PL	4.5	5.14	3.10
3	01739191QL	6.6	5.77	3.80
4	01739191TL	11.4	6.84	4.25



Lead-Free Brass Swing Check Valve, Sweat Series 9192L

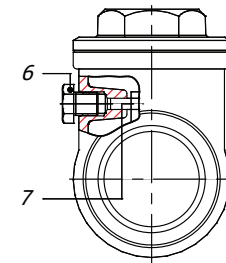
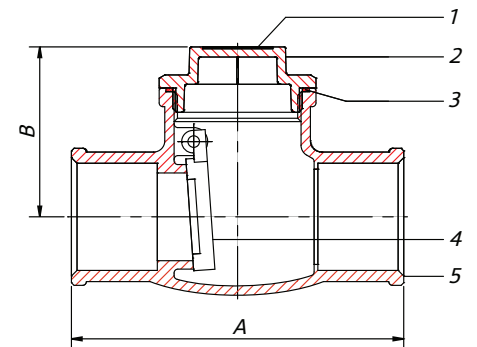


Design Features

- California AB1953 lead-free approved
- Meets federal Safe Water Drinking Water Act, lead-free requirement
- 200 lb. WOG/125 lb. WSP
- ANSI/NSF 61.8 approved
- Cast brass body
- Forged brass disc
- ISO 9001:2008 manufacturer

Parts & Materials

No.	Part	Material
1	Name Plate	Aluminium
2	Cap	Cast Brass Alloy C89550
3	Packing	Fibre "H"
4	Disc	Cast Brass Alloy C89550
5	Body	Cast Brass Alloy C89550
6	Screw	Brass ASTM B16-C36000
7	Pin	Brass ASTM B16-C36000



Dimensions

Size	Part Number	Weight	A	B
In		Lb	In	In
½	01739192GL	0.40	2.09	1.50
¾	01739192IL	0.63	2.96	1.58
1	01739192KL	0.81	3.62	1.77
1-¼	01739192LL	1.30	4.06	2.01
1-½	01739192ML	1.73	4.53	2.17
2	01739192NL	2.64	5.48	2.64
2-½	01739192PL	5.56	6.89	3.10
3	01739192QL	6.60	7.63	3.75

About ASC Engineered Solutions

ASC Engineered Solutions is defined by quality—in its products, services and support. With more than 1,400 employees, the company's portfolio of precision-engineered piping support, valves and connections provides products to more than 4,000 customers across industries, such as mechanical, industrial, fire protection, oil and gas, and commercial and residential construction. Its portfolio of leading brands includes ABZ Valve®, AFCON®, Anvil®, Anvil EPS, Anvil Services, Basic-PSA, Beck®, Catawissa, Cooplet®, FlexHead®, FPPI®, Gruklok®, J.B. Smith, Merit®, North Alabama Pipe, Quadrant®, SCI®, Sharpe®, SlideLOK®, SPF® and SprinkFLEX®. With headquarters in Commerce, CA, and Exeter, NH, ASC also has ISO 9001:2015 certified production facilities in PA, TN, IL, TX, AL, LA, KS, and RI.



asc-es.com

Building connections that last™

