

Building connections that last™

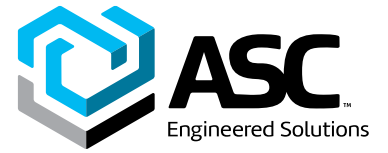


# Series 25Post & 25WP

Vertical & Wall UL/FM  
AWWA Indicator Post  
Datasheet

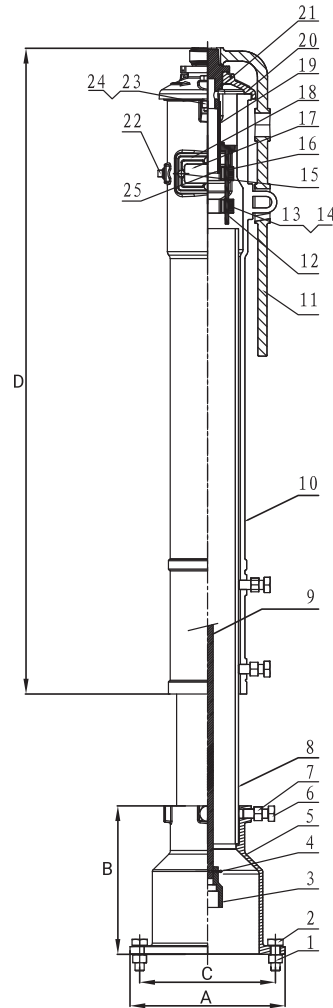


# UL/FM AWWA Indicator Post, Vertical Series 25Post



- Adjustable from 36" to 72"
- Cast iron body
- Stainless Steel Op Nut
- Fusion bonded epoxy coating
- UL Listed / FM Approved
- SCI® Brand for full traceability

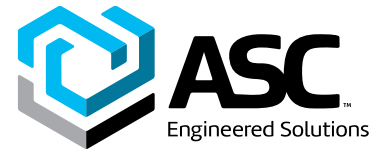
No.	Part	Material
1	Hex Nut	Carbon Steel Zinc Plated
2	Hex Bolt	Carbon Steel Zinc Plated
3	Socket	Ductile Iron Gr. ASTM A536, 65-45-12
4	Cotter Pin	AISI 304 Stainless Steel
5	Base Flange	Cast Iron ASTM A126 Class B
6	Hex Bolt	Carbon Steel Zinc Plated
7	Hex Nut	Carbon Steel Zinc Plated
8	Standpipe	Ductile Iron Gr. ASTM A536, 65-45-12
9	Stem 1" Square	Carbon Steel AISI 1045
10	Body	Cast Iron ASTM A126 Class B
11	Locking Wrench	Carbon Steel Zinc Plated
12	Target Carrier Nut	AISI 304 Stainless Steel
13	Hex Bolt	Carbon Steel Zinc Plated
14	Hex Nut	Carbon Steel Zinc Plated
15	Hex Bolt	Carbon Steel Zinc Plated
16	Open/Shut	Cast Aluminium
17	Window Glass	Plexiglass
18	Gasket	PTFE
19	Operating Nut	AISI 304 Stainless Steel
20	Top Section	Cast Iron ASTM A126 Class B
21	Snap Ring	Stainless Steel AISI11066
22	Plug	Malleable Iron Galvanized
23	Square Nut	Carbon Steel Zinc Plated
24	Hex Bolt	Carbon Steel Zinc Plated
25	Circlip	Carbon Steel Zinc Plated



Part Number	Weight	A	B	C	D
		IN	IN	IN	IN
017125PI3672	220	12.00	11.50	10.50	50.00

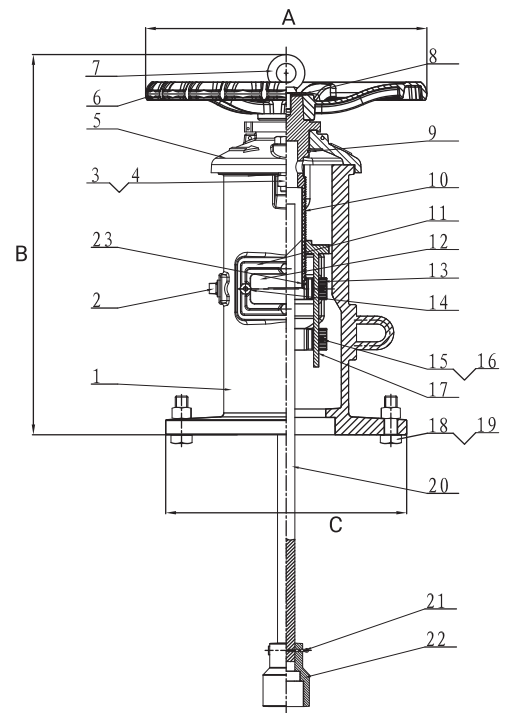


# UL/FM AWWA Indicator Post, Wall Series 25WP



- Cast iron body
- Stainless Steel Op Nut
- Fusion bonded epoxy coating
- UL Listed / FM Approved
- SCI® Brand for full traceability

No.	Part	Material
1	Body	Cast Iron ASTM A126 Class B
2	Plug	Malleable Iron Galvanized
3	Square Nut	Carbon Steel Zinc Plated
4	Hex Bolt	Carbon Steel Zinc Plated
5	Cover	Cast Iron ASTM A126 Class B
6	Hand Wheel	Ductile Iron ASTM A536, 65-45-12
7	Eye Bolt	Carbon Steel ASTM A307B
8	Washer	Carbon Steel ASTM A307B
9	Snap Ring	Stainless Steel AISI11066
10	Operating Nut	AISI 304 Stainless Steel
11	Gasket	PTFE
12	Window Glass	Plexiglass
13	Open/Shut	Cast Aluminium
14	Hex Bolt	Carbon Steel Zinc Plated
15	Hex Bolt	Carbon Steel Zinc Plated
16	Hex Nut	Carbon Steel Zinc Plated
17	Target Carrier Nut	AISI 304 Stainless Steel
18	Hex Nut	Carbon Steel Zinc Plated
19	Hex Bolt	Carbon Steel Zinc Plated
20	Stem 1" Square	Carbon Steel AISI 1045
21	Cotter Pin	AISI 304 Stainless Steel
22	Socket	Ductile Iron ASTM A536, 65-45-12
23	Circlip	Carbon Steel Zinc Plated
24	Hex Bolt	Carbon Steel Zinc Plated
25	Circlip	Carbon Steel Zinc Plated



Part Number	Weight	A	B	C
	LB	IN	IN	IN
017125WP	90	14.00	20.0	12.00

### **About ASC Engineered Solutions**

ASC Engineered Solutions is defined by quality—in its products, services and support. With more than 1,400 employees, the company's portfolio of precision-engineered piping support, valves and connections provides products to more than 4,000 customers across industries, such as mechanical, industrial, fire protection, oil and gas, and commercial and residential construction. Its portfolio of leading brands includes ABZ Valve®, AFCON®, Anvil®, Anvil EPS, Anvil Services, Basic-PSA, Beck®, Catawissa, Cooplet®, FlexHead®, FPPI®, Gruklok®, J.B. Smith, Merit®, North Alabama Pipe, Quadrant®, SCI®, Sharpe®, SlideLOK®, SPF® and SprinkFLEX®. With headquarters in Commerce, CA, and Exeter, NH, ASC also has ISO 9001:2015 certified production facilities in PA, TN, IL, TX, AL, LA, KS, and RI.



[asc-es.com](http://asc-es.com)

Building connections that last™

FC-DS-Series 25Post-25WP-v01 20210903

