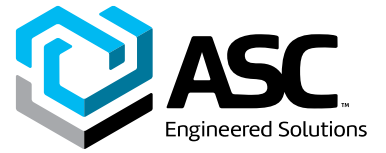


Building connections that last™



Series 22FC

AWWA Swing Check Valve,
Flanged Ductile Iron Datasheet



AWWA Swing Check Valve, Flanged Ductile Iron Series 22FC

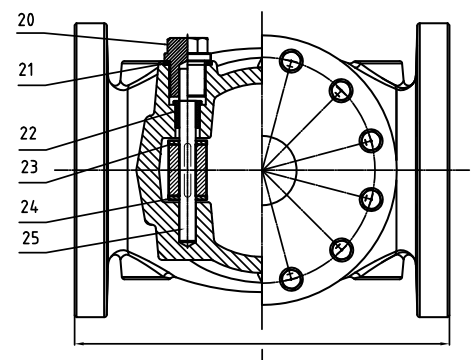
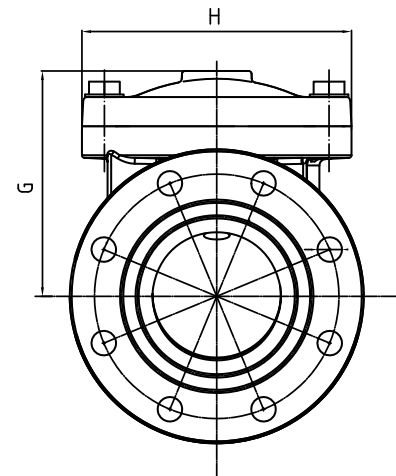
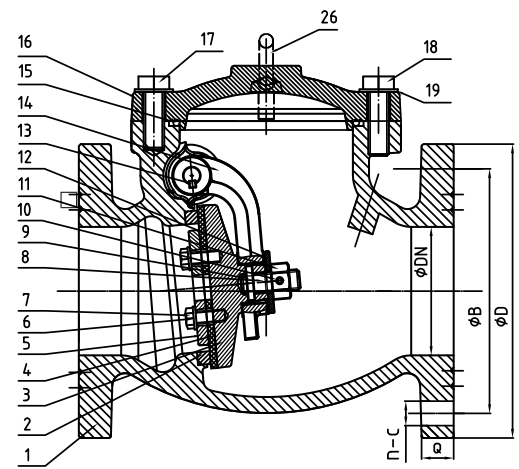


Design Features

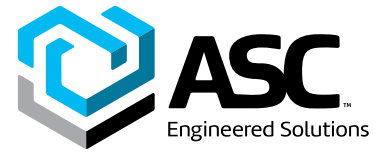
- 300 PSI CWP (cold working pressure)
- Conforms to AWWA C508
- Ductile Iron ASTM A536, Grade 65-45-12 body
- Meets MSS-SP-71
- Fusion bonded epoxy coating AWWA C550
- Resilient disc, brass seat
- ASME/ANSI Class 125 flanges
- NSF/ANSI 372-2011

Parts & Materials

No.	Part	Material
1	Valve Body	Ductile Iron ASTM A536, 65-45-12
2	Seat	Brass ASTM B62 C83600
3	Disc	Ductile Iron ASTM A536, 65-45-12
4	Disc Seat Ring	EPDM Rubber
5	Retainer Washer	Ductile Iron ASTM A536, 65-45-12
6	Washer	AISI 316 Stainless Steel
7	Bolt	AISI 316 Stainless Steel
8	Stud	Bronze ASTM B62
9	Roll Pin	AISI 304 Stainless Steel
10	Roll Pin	AISI 304 Stainless Steel
11	Nut	Bronze ASTM B62
12	Washer	Bronze ASTM B62
13	Flat Key	AISI 304 Stainless Steel
14	Clapper Arm	Ductile Iron ASTM A536, 65-45-12
15	O-Ring	EPDM Rubber
16	Bonnet	Ductile Iron ASTM A536, 65-45-12
17	Bolt	AISI 316 Stainless Steel
18	Bolt	AISI 316 Stainless Steel
19	Washer	AISI 316 Stainless Steel
20	Plug	AISI 316 Stainless Steel
21	Gasket	PTFE
22	Shaft Sleeve Gland	Bronze ASTM B62
23	Washer	Bronze ASTM B62
24	Washer	Bronze ASTM B62
25	Hinge Pin	AISI 410 Stainless Steel
26	Eye Bolt	Carbon Steel (3" - 12")



AWWA Swing Check Valve,
Flanged Ductile Iron
Series 22FC



Dimensions

Size	Item Number	ØDN	ØB	ØD	G	H	L	n-C	Q	Weight	ASC 10-Digit
In	#	In	In	In	In	In	In	In	In	Lb	#
2	017322FC020	1.99	4.74	5.91	5.57	7.17	7.99	4 - 0.75	0.93	1.32	4349004400
2-½	017322FC025	2.56	5.49	7.09	6.18	6.89	8.50	4 - 0.75	0.69	1.81	4349004410
3	017322FC030	3.15	6	7.48	6.81	7.91	9.49	4 - 0.75	0.75	2.23	4349004420
4	017322FC040	3.94	7.5	9.06	6.91	8.27	11.50	8 - 0.75	0.94	2.93	4349004430
6	017322FC060	5.91	9.51	11.02	9.33	11.22	14.02	8 - 0.88	1.00	5.82	4349004440
8	017322FC080	7.87	11.75	13.58	10.71	13.50	19.49	8 - 0.88	1.12	10.25	4349004450
10	017322FC100	9.84	14.25	15.95	12.80	15.98	24.49	12 - 1.00	1.20	16.34	4349004460
12	017322FC120	11.81	17.01	19.09	14.06	17.99	27.52	12 - 1.00	1.26	22.71	4349004470



About ASC Engineered Solutions

ASC Engineered Solutions is defined by quality—in its products, services and support. With more than 1,400 employees, the company's portfolio of precision-engineered piping support, valves and connections provides products to more than 4,000 customers across industries, such as mechanical, industrial, fire protection, oil and gas, and commercial and residential construction. Its portfolio of leading brands includes ABZ Valve®, AFCON®, Anvil®, Anvil EPS, Anvil Services, Basic-PSA, Beck®, Catawissa, Cooplet®, FlexHead®, FPPI®, Gruvlok®, J.B. Smith, Merit®, North Alabama Pipe, Quadrant®, SCI®, Sharpe®, SlideLOK®, SPF® and SprinkFLEX®. With headquarters in Commerce, CA, and Exeter, NH, ASC also has ISO 9001:2015 certified production facilities in PA, TN, IL, TX, AL, LA, KS, and RI.

Note: Responsibility for proper selection, use and maintenance of any product remains solely with the purchaser and end user. We reserve the right to modify or improve the designs or specifications of any product at any time without notice.



asc-es.com

Building connections that last™

