



Figure # 882
Stainless Gate Valve (1/2"-2")

Product Features

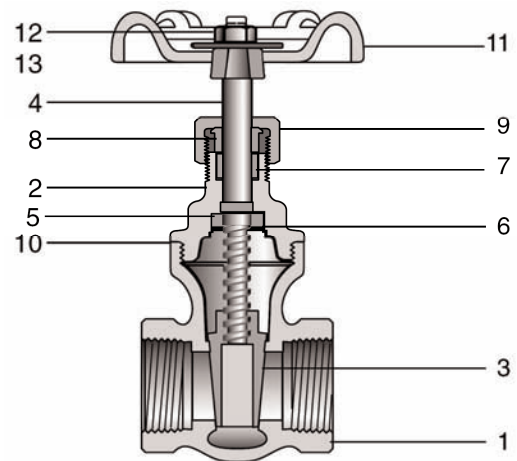
- 200# WSP/WOG
- Stainless Steel Body & Trim
- Threaded Ends
- Inserted bonnet
- Solid Disc



Pressure/Temperature Ratings	
200# WSP/WOG	350 degrees F. max temp.

Materials & Specifications

Item	Description	Material	Specification
1	Body	Stainless Steel	A351 CF8M
2	Bonnet	Stainless Steel	A351 CF8M
3	Disc	Stainless Steel	A276 - 316
4	Stem	Stainless Steel	A276 - 316
5	Stem Nut	Stainless Steel	A276 - 316
6	Washer	Stainless Steel	A276 - 316
7	Packing	PTFE	-
8	Gland	Stainless Steel	A276 - 316
9	Gland Nut	Stainless Steel	A351 CF8M
10	Gasket	PTFE	-
11	Handwheel	Cast Iron	-
12	Name Plate	Aluminum	B85
13	Handwheel Nut	Stainless Steel	A276 - 316



Dimensions, Weights (inches-lbs.) & Valve Data

Size	1/2	3/4	1	1-1/4	1-1/2	2
D	2.36	2.76	2.76	3.15	3.54	3.94
H	3.66	4.06	4.41	4.92	5.71	6.69
L	2.13	2.28	2.56	2.91	3.07	3.43
Wt.- lbs.	.88	1.11	1.63	2.2	2.35	4.35

