

Feature

- 600# WOG
- DZR lead free brass body
- Full port design
- Chrome plated ball
- Ball valve for expansion tank isolation
- High flow hose drains with cap and chain
- Adjustable packing gland
- MNPT system connection
- Virgin PTFE seats
- Blow-out proof stem

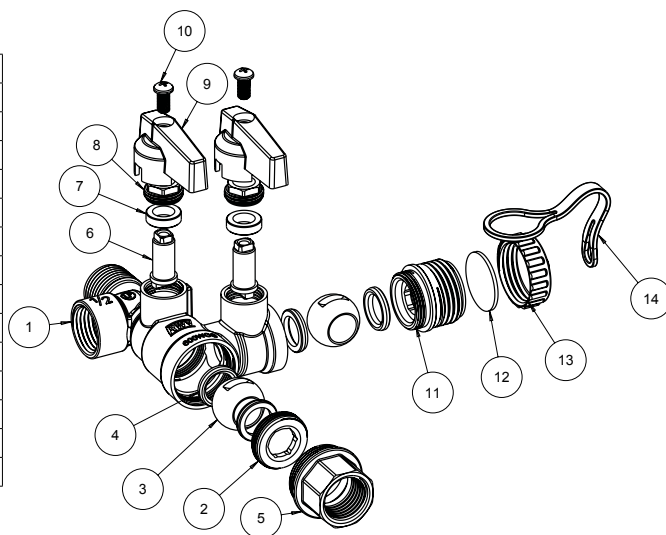


Working conditions:

- Water: from 15°F to 260°F
- below 32°F only for water with added antifreezing fluids
- over 212°F only for water with added anti-boiling fluids

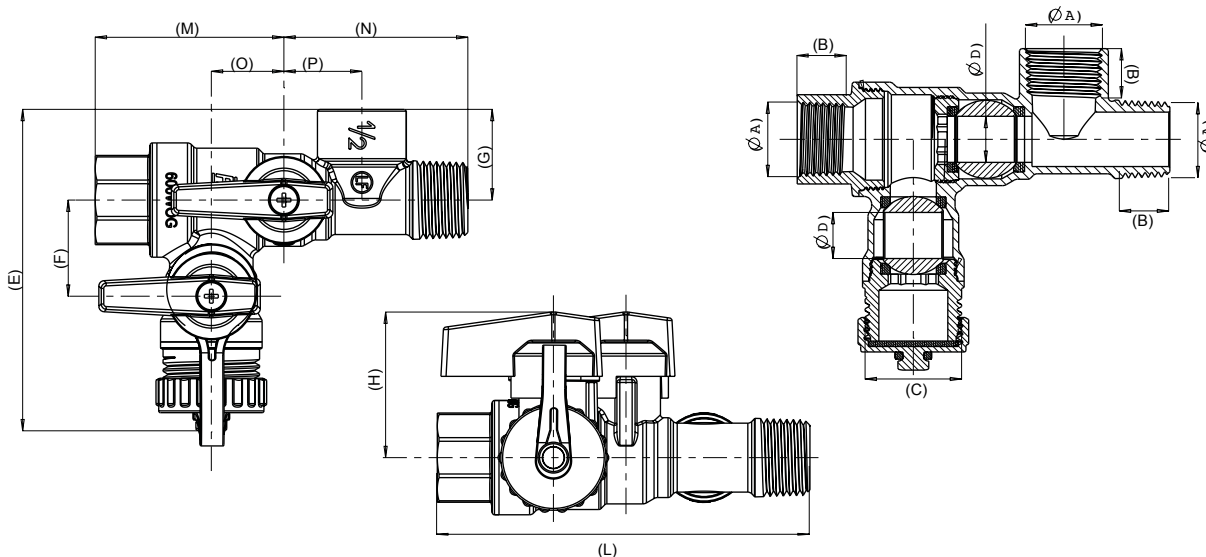
Material

	Part	Material	Specification
1	Body	DZR Lead Free Brass	ASTM B927 C27453
2	Seat retainer	Lead Free Brass	ASTM B927 C27450
3	Ball	LF Brass / Cr plated	ASTM B927 C27450
4	Seat	PTFE	-
5	Fixed end	DZR Lead Free Brass	ASTM B927 C27453
6	Stem	DZR Lead Free Brass	ASTM B927 C27453
7	Packing ring	PTFE	-
8	Packing nut	Brass	ASTM B124 C37700
9	Handle	Aluminum	ASTM B85
10	Screw	Steel / Zn plated	ASTM A36
11	Fixed end	DZR Lead Free Brass	ASTM B927 C27453
12	Drain cap gasket	EPDM Perox	NSF approved
13	Drain cap	Brass	ASTM B283 C37700
14	Tie	Rubber	-



Dimension, Weight

Size	φA [in]	B [in]	C [in]	φD [in]	E [in]	F [in]	H [in]	L [in]	M [in]	N [in]	O [in]	P [in]	Wt. [lb]
1/2"	1/2 - 14NPT	0.63	3/4-11.5NH	0.50	3.49	1.04	1.58	3.94	2.05	1.89	0.79	0.85	0.92



Feature

- 600# WOG
- DZR lead free brass body
- Full port design
- Chrome plated ball
- Ball valve for expansion tank isolation
- High flow hose drains with cap and chain
- Adjustable packing gland
- FNPT system connection
- Virgin PTFE seats
- Blow-out proof stem

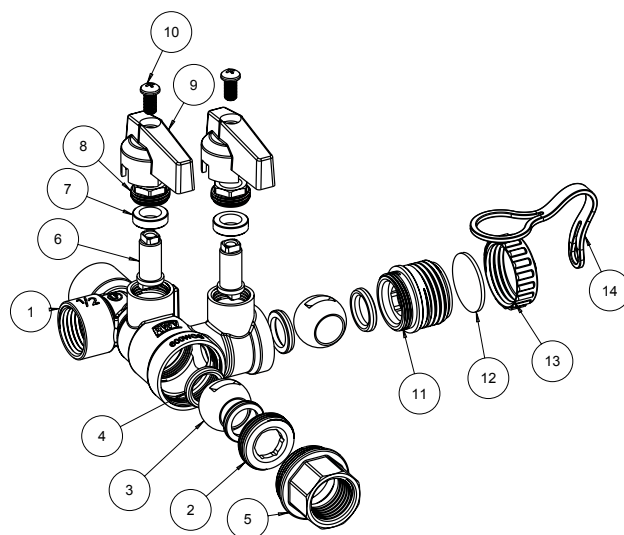


Working conditions:

- Water: from 15°F to 260°F
- below 32°F only for water with added antifreezing fluids
- over 212°F only for water with added anti-boiling fluids

Material

	Part	Material	Specification
1	Body	DZR Lead Free Brass	ASTM B927 C27453
2	Seat retainer	Lead Free Brass	ASTM B927 C27450
3	Ball	LF Brass / Cr plated	ASTM B927 C27450
4	Seat	PTFE	-
5	Fixed end	DZR Lead Free Brass	ASTM B927 C27453
6	Stem	DZR Lead Free Brass	ASTM B927 C27453
7	Packing ring	PTFE	-
8	Packing nut	Brass	ASTM B124 C37700
9	Handle	Aluminum	ASTM B85
10	Screw	Steel / Zn plated	ASTM A36
11	Fixed end	DZR Lead Free Brass	ASTM B927 C27453
12	Drain cap gasket	EPDM Perox	NSF approved
13	Drain cap	Brass	ASTM B283 C37700
14	Tie	Rubber	-



Dimension, Weight

Size	φA [in]	B [in]	C [in]	φD [in]	E [in]	F [in]	H [in]	L [in]	M [in]	N [in]	O [in]	P [in]	Wt. [lb]
1/2"	1/2 - 14NPT	0.63	3/4-11.5NH	0.50	3.49	1.04	1.58	3.94	2.05	1.89	0.79	0.85	0.92

