

**Feature**

- 600# WOG
- DZR lead free brass body
- Full port design
- Chrome plated ball
- High flow hose drain with cap and chain
- Adjustable packing gland
- Solder connections
- Virgin PTFE seats
- Blow-out proof stem

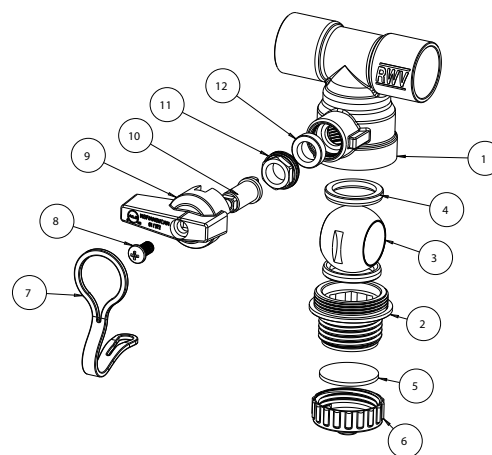
**Working conditions:**

Water: from 15°F to 260°F  
 below 32°F only for water with added antifreezing fluids  
 over 212°F only for water with added anti-boiling fluids



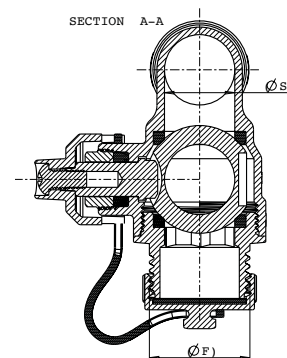
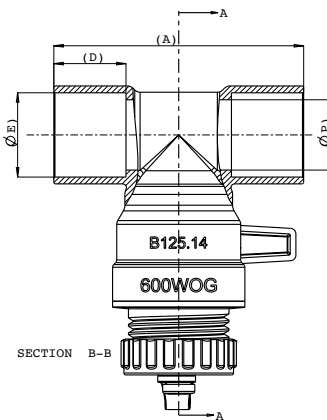
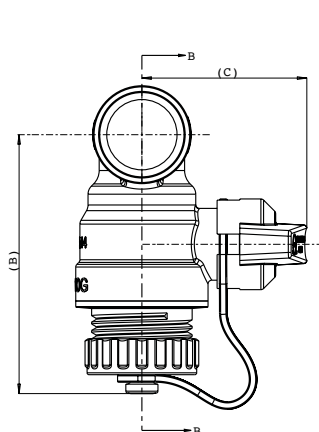
**Material**

	Part	Material	Specification
1	Body	DZR Lead Free Brass	ASTM B927 C27453
2	Fixed end	DZR Lead Free Brass	ASTM B927 C27453
3	Ball	LF Brass / Cr plated	ASTM B927 C27450
4	Seat	PTFE	-
5	Drain cap gasket	EPDM Perox	NSF approved
6	Drain cap	Brass	ASTM B283 C37700
7	Tie	Rubber	-
8	Screw	Steel / Zn plated	ASTM A36
9	Handle	Aluminum	ASTM B85
10	Stem	DZR Brass	ASTM B927 C27453
11	Packing nut	Brass	ASTM B124 C37700
12	Packing ring	PTFE	TF1502



**Dimension, Weight**

Size	A [in]	B [in]	C [in]	D [in]	φE [in]	φP [in]	φS [in]	φF [in]	Wt. [lb]
1/2"	1.77	2.37	1.58	0.51	0.627-0.631	0.50	0.50	3/4-11.5NH	0.46
3/4"	2.60	2.69	1.72	0.76	0.877-0.881	0.73	0.73	3/4-11.5NH	0.65
1"	2.81	2.82	1.72	0.92	1.128-1.131	0.98	0.73	3/4-11.5NH	0.74
1 1/4"	3.18	2.95	1.72	0.98	1.378-1.381	1.23	0.73	3/4-11.5NH	0.83



**Feature**

- 600# WOG
- DZR lead free brass body
- Full port design
- Chrome plated ball
- High flow hose drain with cap and chain
- Adjustable packing gland
- FNPT connections
- Virgin PTFE seats
- Blow-out proof stem

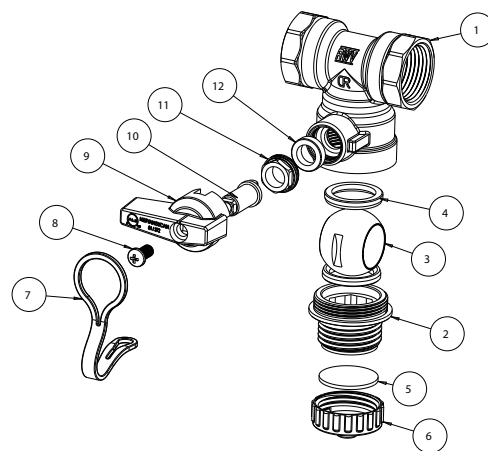
**Working conditions:**

Water: from 15°F to 260°F  
 below 32°F only for water with added antifreezing fluids  
 over 212°F only for water with added anti-boiling fluids



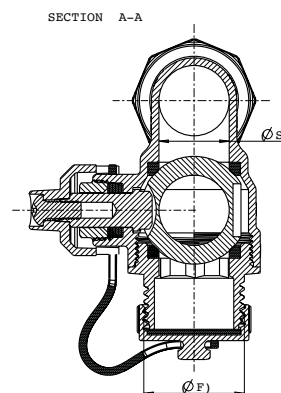
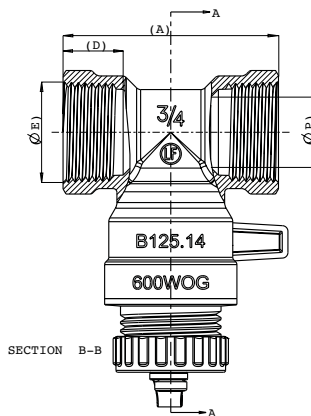
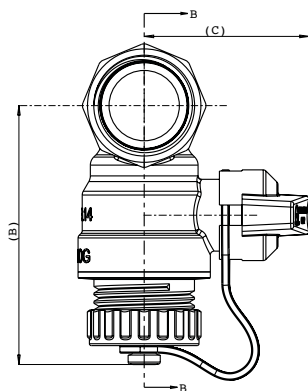
**Material**

	Part	Material	Specification
1	Body	DZR Lead Free Brass	ASTM B927 C27453
2	Fixed end	DZR Lead Free Brass	ASTM B927 C27453
3	Ball	LF Brass / Cr plated	ASTM B927 C27450
4	Seat	PTFE	-
5	Drain cap gasket	EPDM Perox	NSF approved
6	Drain cap	Brass	ASTM B283 C37700
7	Tie	Rubber	-
8	Screw	Steel / Zn plated	ASTM A36
9	Handle	Aluminum	ASTM B85
10	Stem	DZR Brass	ASTM B927 C27453
11	Packing nut	Brass	ASTM B124 C37700
12	Packing ring	PTFE	TF1502



**Dimension, Weight**

Size	A [in]	B [in]	C [in]	D [in]	φE [in]	φP [in]	φS [in]	φF [in]	Wt. [lb]
1/2"	1.96	2.37	1.58	0.61	1/2 - 14NPT	0.50	0.50	3/4-11.5NH	0.53
3/4"	2.24	2.69	1.72	0.63	3/4 - 14NPT	0.73	0.73	3/4-11.5NH	0.71
1"	2.42	2.82	1.72	0.75	1 - 11.5NPT	0.98	0.73	3/4-11.5NH	0.84
1 1/4"	3.11	2.95	1.72	0.77	1 1/4 - 11.5NPT	1.23	0.73	3/4-11.5NH	1.13



**Feature**

- 250# WOG
- DZR lead free brass body
- Full port design
- Chrome plated ball
- High flow hose drain with cap and chain
- Adjustable packing gland
- EzPress connections
- Virgin PTFE seats
- Blow-out proof stem

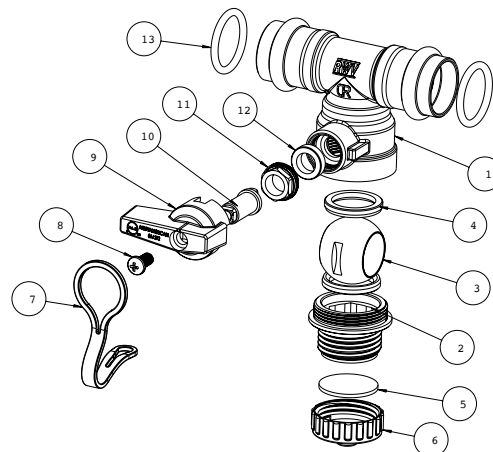
**Working conditions:**

Water: from 15°F to 260°F  
 below 32°F only for water with added antifreezing fluids  
 over 212°F only for water with added anti-boiling fluids



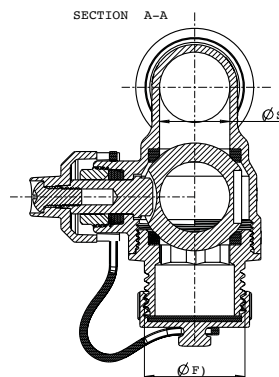
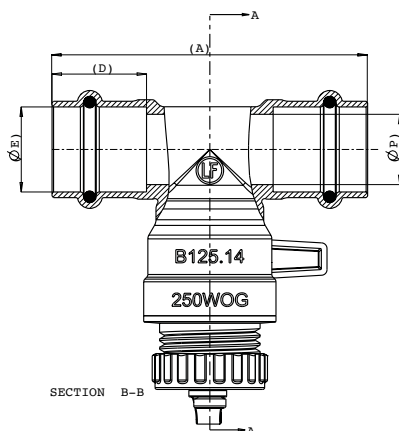
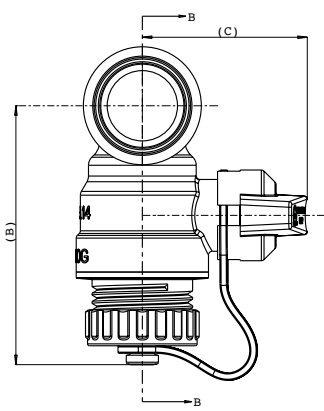
**Material**

	Part	Material	Specification
1	Body	DZR Lead Free Brass	ASTM B927 C27453
2	Fixed end	DZR Lead Free Brass	ASTM B927 C27453
3	Ball	LF Brass / Cr plated	ASTM B927 C27450
4	Seat	PTFE	-
5	Drain cap gasket	EPDM Perox	NSF approved
6	Drain cap	Brass	ASTM B283 C37700
7	Tie	Rubber	-
8	Screw	Steel / Zn plated	ASTM A36
9	Handle	Aluminum	ASTM B85
10	Stem	DZR Brass	ASTM B927 C27453
11	Packing nut	Brass	ASTM B124 C37700
12	Packing ring	PTFE	-
13	O-ring	EPDM Perox 70SH	NSF approved



**Dimension, Weight**

Size	A [in]	B [in]	C [in]	D [in]	φE [in]	φP [in]	φS [in]	φF [in]	Wt. [lb]
1/2"	2.63	2.37	1.58	0.87	0.64	0.50	0.50	3/4-11.5NH	0.50
3/4"	3.28	2.69	1.72	0.98	0.89	0.73	0.73	3/4-11.5NH	0.71
1"	3.41	2.82	1.72	1.06	1.14	0.98	0.73	3/4-11.5NH	0.78
1 1/4"	3.73	2.95	1.72	1.06	1.39	1.23	0.73	3/4-11.5NH	0.90



**Feature**

- 400# WOG
- DZR lead free brass body
- Full port design
- Chrome plated ball
- High flow hose drain with cap and chain
- Adjustable packing gland
- PEX ASTM F1960 connections
- Virgin PTFE seats
- Blow-out proof stem

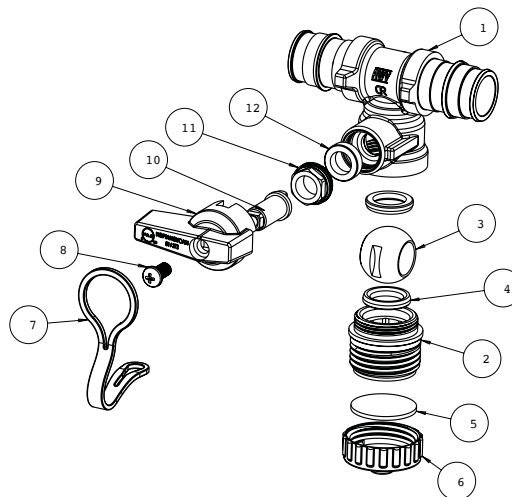
**Working conditions:**

Water: from 15°F to 260°F  
 below 32°F only for water with added antifreezing fluids  
 over 212°F only for water with added anti-boiling fluids



**Material**

	Part	Material	Specification
1	Body	DZR Lead Free Brass	ASTM B30 C87850
2	Fixed end	DZR Lead Free Brass	ASTM B927 C27453
3	Ball	LF Brass / Cr plated	ASTM B927 C27450
4	Seat	PTFE	-
5	Drain cap gasket	EPDM Perox	NSF approved
6	Drain cap	Brass	ASTM B283 C37700
7	Tie	Rubber	-
8	Screw	Steel / Zn plated	ASTM A36
9	Handle	Aluminum	ASTM B85
10	Stem	DZR Brass	ASTM B927 C27453
11	Packing nut	Brass	ASTM B124 C37700
12	Packing ring	PTFE	-



**Dimension, Weight**

Size	A [in]	B [in]	C [in]	φE [in]	φP [in]	φS [in]	φF [in]	Wt. [lb]
1/2"	2.44	2.37	1.58	PEX F1960	0.39	0.39	3/4-11.5NH	0.49
3/4"	3.15	2.37	1.58	PEX F1960	0.61	0.50	3/4-11.5NH	0.60
1"	3.67	2.70	1.72	PEX F1960	0.81	0.73	3/4-11.5NH	0.82
1 1/4"	4.26	2.95	1.72	PEX F1960	0.96	0.73	3/4-11.5NH	1.14

