

Feature

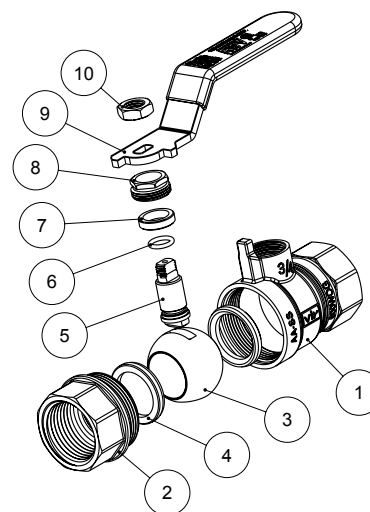
- 150# WSP / 600# WOG
- Brass body
- Full port
- Adjustable packing
- FNPT x FNPT
- Threaded ends (ASME B1.20.1-NPT)
- Blow-out proof stem
- CSA ½, 5 & 125 psi (¼" - 2")
- CSA ½ psi (2½" & 3")
- CSA ΔC (½" - 2")



Pressure/ Temperature rating	
600 psi from 15 °F to 160 °F	150 psi max. at 366 °F

Material

	Part	Material	Specification
1	Body	Brass	ASTM B283 C37700
2	End piece	Brass	ASTM B283 C37700
3	Ball	Brass / Cr plated	ASTM B283 C37700
4	Seat	PTFE	PTFE
5	Stem	Brass	ASTM B124 C37700
6	O-ring	FKM	NSF Approved
7	Packing	PTFE	PTFE
8	Packing nut	Brass	ASTM B124 C37700
9	Handle	Steel / Dacromet® plated	A36
10	Handle nut	Steel / Zn plated	A36



Dimension, Cv, Weight

	Φ	A	C	H	L	P	Cv	Wt.
		[in]	[in]	[in]	[in]	[in]		[lb]
¼"	¼ - 18 NPT	1.77	0.45	1.54	3.19	0.39	8	0.28
⅜"	⅜ - 18 NPT	1.77	0.45	1.54	3.19	0.39	8	0.28
½"	½ - 14 NPT	2.17	0.61	1.93	3.58	0.50	11	0.42
¾"	¾ - 14 NPT	2.40	0.63	2.05	3.58	0.73	26	0.58
1"	1 - 11.5 NPT	2.91	0.75	2.36	4.96	0.95	55	0.98
1¼"	1¼ - 11.5 NPT	3.31	0.77	2.60	4.96	1.22	103	1.36
1½"	1½ - 11.5 NPT	3.54	0.77	2.87	5.55	1.46	111	1.88
2"	2 - 11.5 NPT	4.09	0.79	3.25	5.55	1.95	353	2.94
2½"	2½ - 8 NPT	5.31	1.06	4.17	7.91	2.44	409	6.20
3"	3 - 8 NPT	6.02	1.14	4.53	11.06	2.91	530	8.92

