

**Feature**

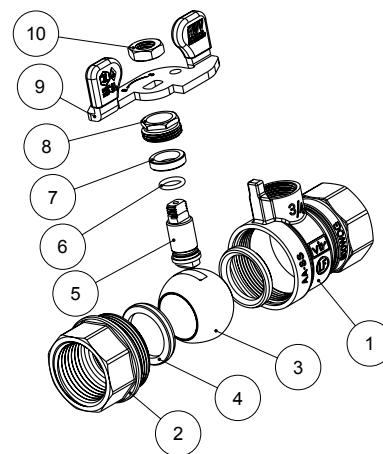
- 150# WSP / 600# WOG
- Lead free brass body
- Full port
- Adjustable packing
- FNPT x FNPT
- Threaded ends (ASME B1.20.1-NPT)
- Blow-out proof stem
- Virgin PTFE seats
- CSA ½, 5 & 125 psi
- CSA ΔC
- UL approved
- AB1953, NSF/ANSI 61 & 372 certified



| Pressure/ Temperature rating |                        |
|------------------------------|------------------------|
| 600 psi from 15 °F to 160 °F | 150 psi max. at 366 °F |

**Material**

|    | Part        | Material                    | Specification    |
|----|-------------|-----------------------------|------------------|
| 1  | Body        | Lead Free Brass             | ASTM B927 C27450 |
| 2  | End piece   | Lead Free Brass             | ASTM B927 C27450 |
| 3  | Ball        | Lead Free Brass / Cr plated | ASTM B927 C27450 |
| 4  | Seat        | PTFE                        | PTFE             |
| 5  | Stem        | Lead Free Brass             | ASTM B927 C27450 |
| 6  | O-ring      | FKM                         | NSF approved     |
| 7  | Packing     | PTFE                        | PTFE             |
| 8  | Packing nut | Brass                       | ASTM B124 C37700 |
| 9  | Wing handle | Steel / Dacromet® plated    | A36              |
| 10 | Handle nut  | Steel / Zn plated           | A36              |



**Dimension**

| Size | T           | A    | C    | H    | L    | P    | Cv | Wt. L |
|------|-------------|------|------|------|------|------|----|-------|
|      |             | [in] | [in] | [in] | [in] | [in] |    | [lb]  |
| ½"   | ½ - 14NPT   | 2.17 | 0.61 | 1.93 | 2.44 | 0.50 | 11 | 0.39  |
| ¾"   | ¾ - 14NPT   | 2.40 | 0.63 | 2.05 | 2.44 | 0.73 | 26 | 0.53  |
| 1"   | 1 - 11.5NPT | 2.91 | 0.75 | 2.52 | 3.27 | 0.95 | 55 | 0.88  |

