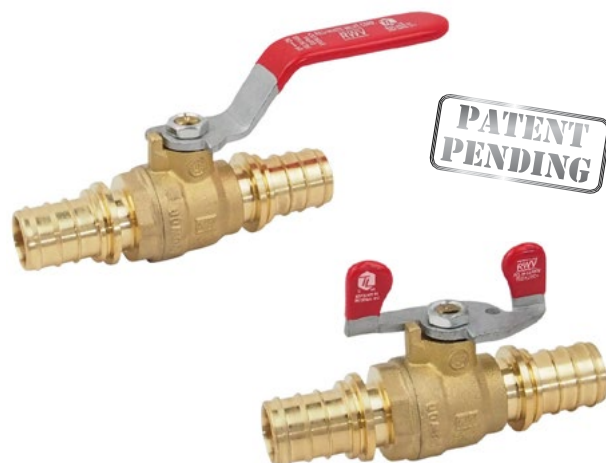


Feature

- 400# WOG
- DZR lead free brass body
- REHAU EVERLOC+® full port
- Barb (EVERLOC+) x Barb (EVERLOC+)
- PEX ends (EVERLOC+)
- Chrome plated ball
- Virgin PTFE seats
- Blow-out proof stem
- Double NBR O-ring packing
- CSA B125.14
- AB1953, NSF/ANSI 61 & 372 certified

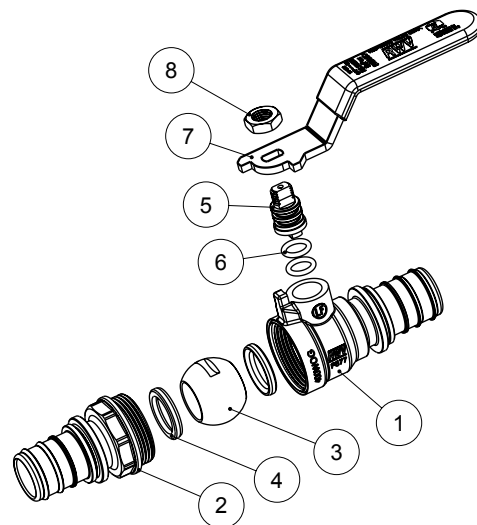


Option with wing handle (5415ABW) available
 Extension stem available

Pressure/ Temperature rating	
300 psi from 15 °F to 160 °F	150 psi max. at 200 °F

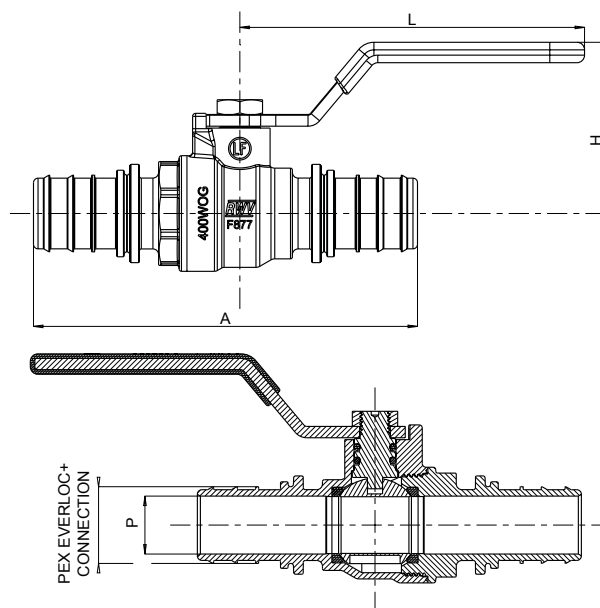
Material

Part	Material	Specification
1 Body	DZR Lead Free Brass	ASTM B927 C27453
2 End piece	DZR Lead Free Brass	ASTM B927 C27453
3 Ball	DZR Lead Free Brass / Cr plated	ASTM B927 C27453
4 Seat	PTFE	PTFE
5 Stem	DZR Lead Free Brass	ASTM B927 C27453
6 O-ring	NBR	NSF approved
7 Handle	Steel / Dacromet® plated	ASTM A36
8 Handle nut	Steel / Zn plated	ASTM A36



Dimension, Weight

Size	A [in]	H [in]	L [in]	P [in]	Wt. [lb]
½"	2.94	1.38	3.19	0.38	0.30
¾"	4.00	1.77	3.58	0.60	0.56
1"	4.82	1.93	3.58	0.77	0.87
1¼"	5.45	2.05	4.96	0.94	1.30
1½"	6.27	2.19	4.96	1.14	1.83
2"	7.50	2.83	5.55	1.50	3.29



Valves with EVERLOC+® compression-sleeve connection require EVERLOC+ PEXa compression sleeves and REHAU PEXa pipe. Installation is performed only with EVERLOC+ compression-sleeve tools. Follow all published REHAU Technical Guidelines available at www.na.rehau.com/resourcecenter.

Licensed under one or more claims of patents - www.na.rehau.com/evpluspatents