

Feature

- 175# PSI
- 2-piece brass body
- FNPT x FNPT
- Threaded ends (ASME B1.20.1-NPT)
- Chrome plated ball
- ANSI Z21.15 / CGA 9.1
- CSA ½ & 5 psi
- CSA ΔC
- UL approved

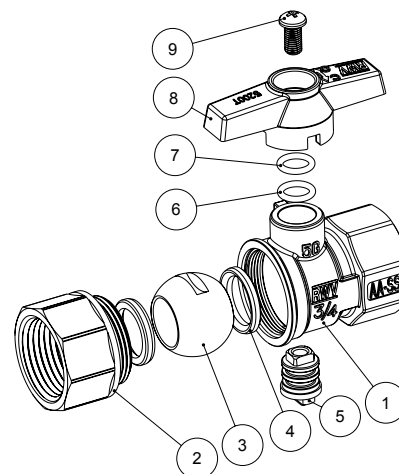


Tee (5200T) or Square head (5200S) handles available



Material

	Part	Material	Specification
1	Body	Brass	ASTM B283 C37700
2	End piece	Brass	ASTM B283 C37700
3	Ball	Brass / Cr plated	ASTM B124 C37700
4	Seat	PTFE	-
5	Stem	Brass	ASTM B124 C37700
6	O-ring	FKM	-
7	O-ring	HNBR 70SH	-
8	Handle	Aluminum	ASTM B85 A03840
9	Handle screw	Steel / Zn plated	ASTM A36



Dimension, Weight

Size	T	A	C	H	L	P	Wt.
		[in]	[in]	[in]	[in]	[in]	[lb]
3/8"	3/8 - 18 NPT	2.05	0.59	1.27	2.20	0.39	0.22
1/2"	1/2 - 14 NPT	2.05	0.59	1.27	2.20	0.39	0.40
3/4"	3/4 - 14 NPT	2.28	0.63	1.45	2.20	0.59	0.56
1"	1 - 11.5 NPT	2.89	0.77	1.56	2.20	0.79	0.98

