

Feature

- 150# WSP / 600# WOG
- Lead free brass body
- Full port
- FNPT x MNPT
- Threaded ends (ASME B1.20.1-NPT)
- Chrome plated ball
- Virgin PTFE seats
- Blow-out proof stem
- FKM O-ring packing
- CSA ½ psi for Natural gas, Propane & LPG service
- AB1953, NSF/ANSI 61 & 372 certified

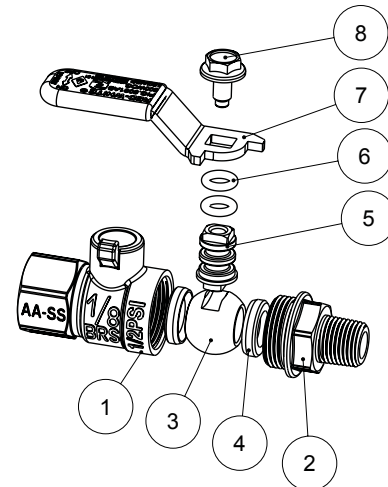


Meet BAA requirement

Pressure/ Temperature rating	
600 psi from 15 °F to 160 °F	150 psi max. at 366 °F

Material

	Part	Material	Specification
1	Body	Lead Free Brass	ASTM B927 C28500
2	End piece	Lead Free Brass	ASTM B927 C28500
3	Ball	Lead Free Brass / Cr plated	ASTM B927 C28500
4	Seat	PTFE	PTFE
5	Stem	Lead Free Brass	ASTM B927 C28500
6	O-ring	FKM	NSF approved
7	Handle	Steel / Geomet® plated	ASTM A36
8	Handle bolt	Steel / Geomet® plated	ASTM A36



Dimension, Weight

Size	ϕ	ϕ1	A [in]	A1 [in]	C [in]	C1 [in]	H [in]	L [in]	P [in]	P1 [in]	Wt. [lb]
½"	½ - 27 NPT	½ - 27 NPT	1.81	0.79	0.45	0.37	1.09	1.61	0.31	0.24	0.18

