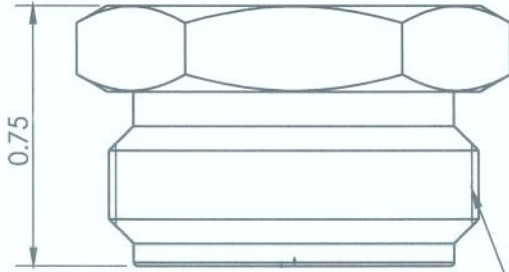
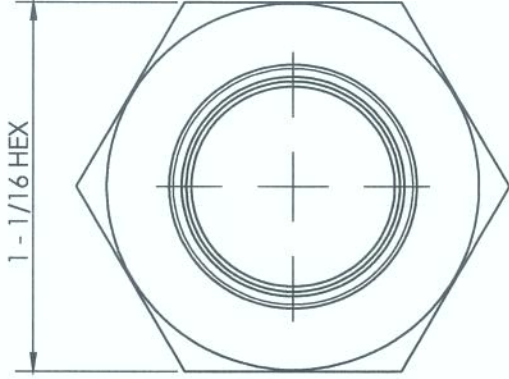


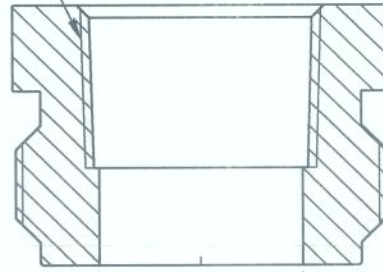
LINE DRAWING NOT FOR PRODUCTION PURPOSES



1 - 1/16 HEX



3/4 - 11 - 1/2 N.H.



3/8 - 18 NPTF

Ø 37/64

MATERIAL 1 - 1/16 HEX ALLOY 360 BRASS

This drawing is owned by Dixon Valves Coupling Co. and shall be returned upon demand. It is loaned on condition that it shall not be copied or reproduced or submitted to others without the owners consent. In accepting it, subject to this condition, the recipient further agrees that this drawing or any design detail or concept disclosed herein shall not be used in any way detrimental to or in competition with the owner. If the recipient does not agree to these conditions, the recipient shall return this drawing immediately. The information contained in this drawing is subject to change without notice.



**Dixon Brass**  
Westmont, Illinois USA

DRAWN	DATE
HENRY B.	9/25/17
APPROVED	DATE
ECO NO.	

DO NOT SCALE THIS DRAWING	
SIZE	DWG. NO.
A	5071206C
REV	
A	

TITLE: MALE HOSE X FEMALE PIPE