

DZR Lead Free Brass Full Port EzPress Ball Valve with SS Ball & Stem

Feature

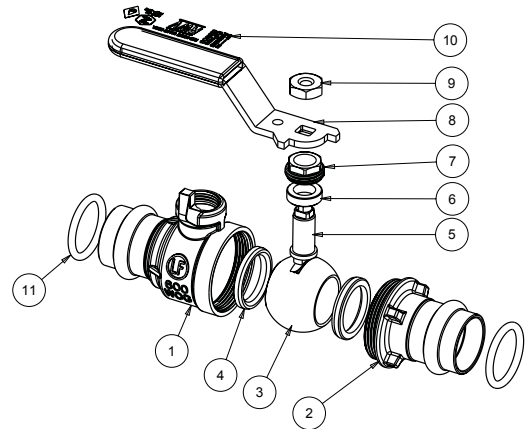
- 600# WOG
- DZR lead free brass body
- Full port
- Dual EzPress ends
- Stainless steel ball
- PTFE seats
- Blow-out proof stem
- Adjustable packing
- MSS-SP-110
- AB1953, NSF/ANSI 61 & 372 certified
- Meet BAA requirement



Pressure/ Temperature rating	
Valve body and stem	
600 psi from 15 °F to 160 °F	150 psi max. at 366 °F
Press connections	
250 psi from 15 °F to 160 °F	150 psi max. at 250 °F

Material

Part	Material	Specification
1 Body	DZR Lead Free Brass	ASTM B927 C27453
2 End piece	DZR Lead Free Brass	ASTM B927 C27453
3 Ball	Stainless steel	ASTM A276 S31600
4 Seat	PTFE	PTFE
5 Stem	Stainless steel	ASTM A276 S31600
6 Packing ring	PTFE	PTFE
7 Packing nut	Brass	ASTM B124 C37700
8 Handle	Steel / Geomet® plated	ASTM A36
9 Nut	Steel / Zn plated	ASTM A36
10 Valve info	-	-
11 O-ring	EPDM Perox	NSF approved



Dimension, Cv, Weight

Size	A [in]	L [in]	H [in]	D [in]	P [in]	C [in]	Cv	Wt. [lb]
1/2"	2.93	3.60	2.13	0.64	0.59	0.86	15	0.56
3/4"	3.54	3.60	2.26	0.89	0.79	0.98	30	0.82
1"	3.90	4.98	2.58	1.14	0.98	1.06	60	1.22

