

**Feature**

- 400# WOG
- DZR lead free brass body
- F1960 full port
- Barb (F1960) x FNPT
- PEX end (ASTM F1960)
- Threaded end (ASME B1.20.1-NPT)
- Chrome plated ball
- Virgin PTFE seats
- Blow-out proof stem
- Double NBR O-ring packing
- CSA B125.14
- AB1953, NSF/ANSI 61 & 372 certified

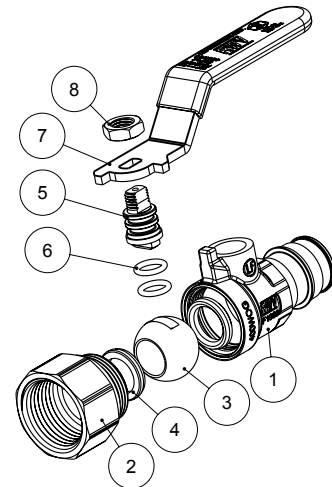
Option with wing handle (5016ABW) available

Pressure/ Temperature rating	
300 psi from 15 °F to 160 °F	150 psi max. at 200 °F



**Material**

	Part	Material	Specification
1	Body	DZR Lead Free Brass	ASTM B927 C27453
2	End piece	DZR Lead Free Brass	ASTM B927 C27453
3	Ball	DZR Lead Free Brass / Cr plated	ASTM B927 C27453
4	Seat	PTFE	PTFE
5	Stem	DZR Lead Free Brass	ASTM B927 C27453
6	O-ring	NBR	NSF approved
7	Handle	Steel / Dacromet® plated	ASTM A36
8	Handle nut	Steel / Zn plated	ASTM A36



**Dimension, Cv, Weight**

Size	A [in]	H [in]	L [in]	P [in]	C [in]	Wt. [lb]
1/2"	2.25	1.38	3.19	0.39	0.61	0.28
3/4"	2.71	1.77	3.58	0.50	0.63	0.46
1"	3.23	1.77	3.58	0.73	0.75	0.64

