

DZR Lead Free Brass PEX Ball Valve with Drain & Mounting Foot

Feature

- 400# WOG
- DZR lead free brass body
- Drain port & mounting foot
- F1807 full port
- Barb (F1807) x Barb (F1807)
- PEX ends (ASTM F1807)
- Chrome plated ball
- Virgin PTFE seats
- Blow-out proof stem
- Double NBR O-ring packing
- CSA B125.14
- AB1953, NSF/ANSI 61 & 372 certified



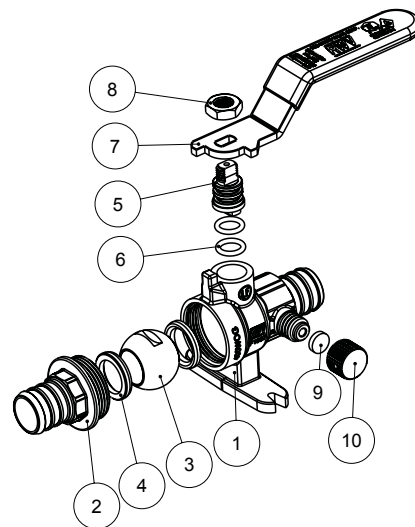
Available in the following options:

- Base design ([5009AB](#))
- with drain port ([5009ABD](#))
- with mounting foot ([5009ABF](#))
- with wing handle ([5009ABW](#))

Pressure/ Temperature rating	
300 psi from 15 °F to 160 °F	150 psi max. at 200 °F

Material

Part	Material	Specification
1 Body	DZR Lead Free Brass	ASTM B927 C27453
2 End piece	DZR Lead Free Brass	ASTM B927 C27453
3 Ball	DZR Lead Free Brass / Cr plated	ASTM B927 C27453
4 Seat	PTFE	PTFE
5 Stem	DZR Lead Free Brass	ASTM B927 C27453
6 O-ring	NBR	NSF approved
7 Handle	Steel / Dacromet® plated	ASTM A36
8 Handle nut	Steel / Zn plated	ASTM A36
9 Cap gasket	NBR	NSF approved
10 Plug	Brass	ASTM B124 C37700



Dimension, Weight

Size	A [in]	H [in]	L [in]	L1 [in]	E [in]	D [in]	P [in]	Wt. [lb]
1/2"	2.62	1.38	3.19	0.91	0.93	0.93	0.35	0.37
3/4"	2.93	1.73	3.19	1.04	1.06	1.06	0.53	0.50
1"	3.50	1.85	3.58	1.14	1.16	1.16	0.71	0.71

